

Floodlight

Zone 2 EEx nR Floodlight

HDL 227



Specification:

Body:

Painted Marine Grade Aluminium Alloy LM6

Front:

Hinged Front Cover

Diffuser:

Toughened Glass 4mm

Reflector:

Symmetrical Dimpled Anodised Polished Aluminium

Stirrup Bracket:

Painted Steel

Key Features:

- The HDL 227 marine grade aluminium alloy floodlight with high performance photometrics is designed to withstand highly corrosive and Zone 2 hazardous area environments.
- The EEx nR restricted breathing floodlight is constructed from a compact and lightweight design and is suitable for use with 150W, 250W and 400W high pressure sodium or metal halide lamps.
- 150W, 250W, 400W
- High performance photometrics
- Restricted breathing.
- SIRA certified.
- Lightweight design.
- High pressure sodium/metal halide.
- Marine Grade Alloy Body.
- Hinged Front Cover.
- Toughened Glass.
- Compact & Lightweight Design.
- Loop-In and Loop-Out as standard.
- Stirrup Bracket, Painted Steel.
- Stainless Steel Cover & Bracket Screws.
- IP66

Engineering Solutions
Design to Manufacture

HADAR
LIGHTING



WWW.CABLEJOINTS.CO.UK
THORNE & DERRICK UK
TEL 0044 191 490 1547 FAX 0044 477 5371
TEL 0044 117 977 4647 FAX 0044 977 5582
WWW.THORNEANDDERRICK.CO.UK

Protection:

Ex II 3GD EEx nR IIT3/T2 IP66

Certification: ATEX Certified by SIRA

	Certification	Ambient	Voltage Range	Certificate
HDL 227	Ex 3GD EEx Nr II T3/T2 IP66	-40°C to +56°C	220/230/240V	SIRA 03ATEX 4061

Electrical Specifications:

Electrical Specification			
Lamp Options	Power consumption	Power factor	Power supply
150W	168W	Better than 0.95	220/230/240 50Hz and 60 Hz Other voltages and frequencies available on request
250W	280W		
400W	433W		

Installation:

Terminals: Suitable for up to 4.00mm² cable.
Cable Entries: 2 x M20 (other cable entries available upon request).
Suspension: See dimensional diagram.

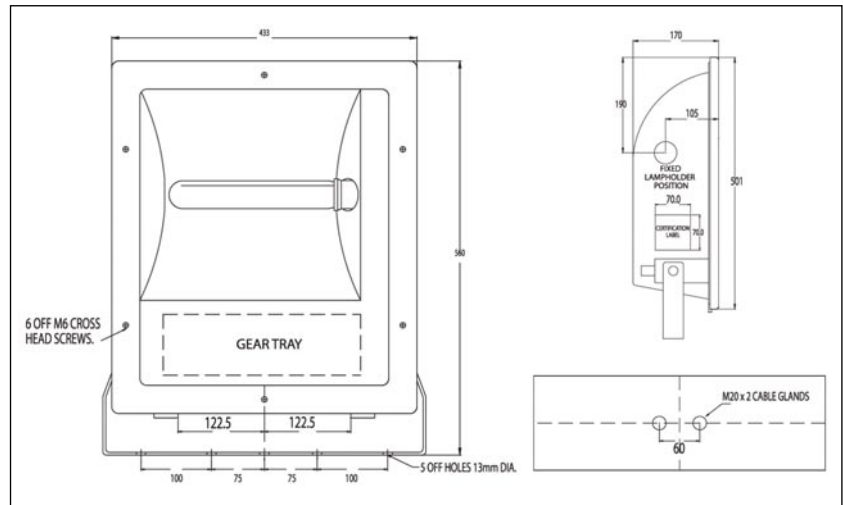
Ambients / Mounting Attitudes:

W	Attitude Point	PFC	NO PFC
150W T3	0°C	-40°C to +40°C	-40°C to +56°C
	30°C	-40°C to +38°C	-40°C to +56°C
	45°C	-40°C to +37°C	-40°C to +56°C
	60°C	-40°C to +35°C	-40°C to +56°C
	90°C	-40°C to +31°C	-40°C to +45°C
250W T3	0°C	-40°C to +40°C	-40°C to +56°C
	30°C	-40°C to +38°C	-40°C to +56°C
	45°C	-40°C to +37°C	-40°C to +56°C
	60°C	-40°C to +35°C	-40°C to +56°C
	90°C	-40°C to +31°C	-40°C to +45°C
400W T2	0°C	-40°C to +35°C	-40°C to +35°C
	30°C	-40°C to +35°C	-40°C to +35°C
	45°C	-40°C to +30°C	-40°C to +35°C
	60°C	-40°C to +25°C	-40°C to +25°C
	90°C	-40°C to +25°C	-40°C to +25°C

Ordering Matrix:

Field	Options
Product	HDL 227
Voltage	22 – 220V 23 – 230V 24 – 240V
Frequency	5 – 50Hz 6 – 60Hz
Cable Entries	00 – 2 x M20 05 – 2 x M25
Lamp Options	150 – 150W 250 – 250W 400 – 400W 500 – 500W
Options	H - MBI Metal Halide E - SON High Pressure Sodium T - Tungsten Halogen

Dimensions:



Notes:

- 1) Final Product Code should be in the format: HDL2450400E
- 2) For Photometric and Weight Data contact the Sales Office.

