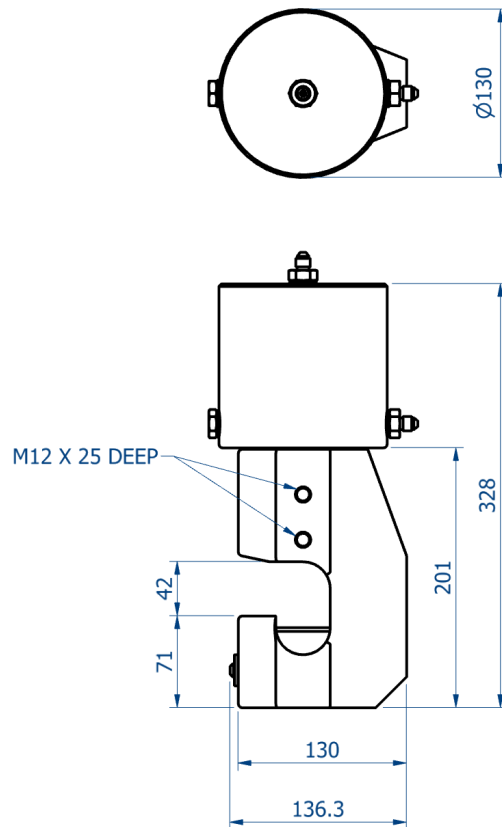


RCO40LP - Wire Rope Cutter Part No - 980503



- Heavy duty wire rope cutter designed for use in severe working conditions
- Open sided design allows for easy positioning of the cutter on the cable
- Blade shaped anvil cuts higher grade cable
- Corrosion resistant stainless steel body with Nitrotec coated alloy steel cylinder
- Long blade and anvil life ensures that tool maintenance is kept to a minimum
- Ideal for operation in confined spaces
- Can be used at any water depth
- Cutting Capacity - Steel wire ropes up to $\varnothing 38\text{mm}$ (1.5") with a maximum tensile strength of 1960N/mm². Individual wire strands must be a minimum of $\varnothing 1.5\text{mm}$ (1/16")
- Suitable for cutting wire rope, cables and umbilicals
- 220 bar maximum input pressure
- Supplied with 10k rated JIC No 4 fittings
- Approx weight in air – 22kg
- Approx weight in water – 19kg
- Swept volume cut stroke – 0.5 litres
- Swept volume return stroke – 0.4 litres



Tel: +44 (0)191 490 1547
 Fax: +44 (0)191 477 5371
 Email: northernsales@thorneandderrick.co.uk
 Website: www.cablejoints.co.uk
www.thorneandderrick.co.uk

allspeeds

Webtool is a Trademark of Allspeeds Ltd
 Designed and Manufactured in the UK