



EC-740-PTZ-EX-SST

Pan/Tilt/Zoom Camera for hazardous Areas EC-740-PTZ-EX-ALU/SST

This camera provides day and night surveillance for outdoor areas. The IP69K protection of the color Ex-PTZ camera allows easy cleaning of extremely soiled by using a high-pressure cleaner (not included). The temperature range of -40°C up to +75°C allows worldwide operation without additional enclosures. Thanks to the SNF (Sensor controlled Nitrogen Filling) design, the camera is maintenance-free and easy to handle.



EC-740-PTZ-EX-ALU

Hardware Types

- EC-740-PTZ-EX-ALU Aluminium Enclosure
- EC-740-PTZ-EX-SST Stainless Steel Enclosure

Hardware Features

- The 316 stainless steel enclosure is easy to clean and has excellent seawater resistance for on- and offshore applications.
- The coated aluminium enclosure offers maximum protection at very light weight.
- Hardened front glass provides scratch protection.
- Heated front window offers protection against condensation and frost.
- Wiper and washer (W&W) available for the EC-740-PTZ-EX-SST as option .
- Zone 1, 2, 21, 22 (Gas, Dust)

Explosion Protection :

ATEX 13ATEX0154 X
IECEX DEK 13.0055X

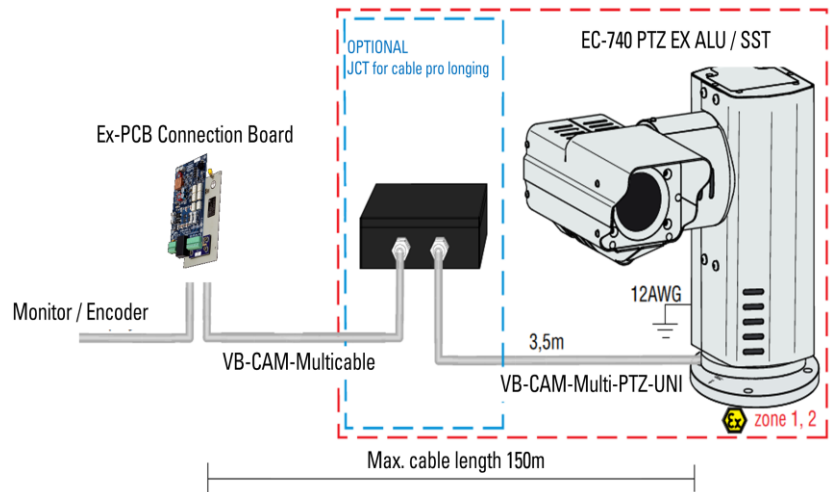


Explosion Protection Identification:

ATEX directive 94/9/EG
II 2 G Ex ib mb px IIC T4 Gb
II 2 D Ex mb tb IIIC T95°C Db

IECEX
Ex II 2 G Ex ib mb px IIC T4 Gb
Ex II 2 D Ex mb tb IIIC T95°C

Operation Principle



NOTE: The Ex certificate applies only when both, the Ex-PCB-Connection board and the Ex-camera are used together. For more installation and specification details see the Installation manual.

Temperature Range:

Ambient temperature range
Operation
T4: Tamb -40°C to +75°C

IP Protection:

IP69K according DIN 40050-9



Pan/Tilt/Zoom Camera EC-740-PTZ-EX-ALU/SST series

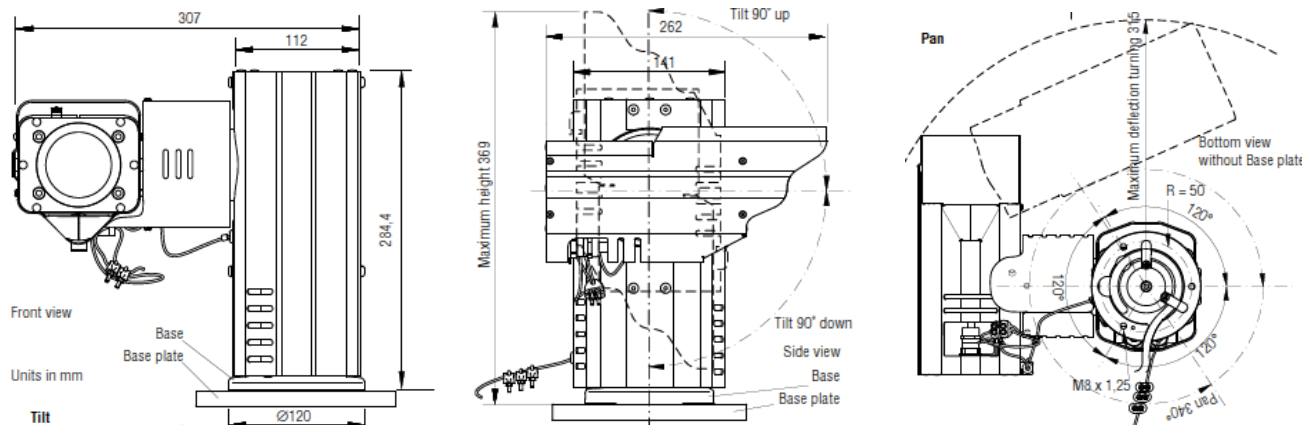
STAHL

Data sheet 2013 | R1-0 | EN

Technical Data

CCD sensor	1/4" type IT CCD (EX view HAD CCD)
Picture elements	752 (H) x 582 (V) (ca. 440 000 pixels)
Resolution	PAL 460 TVL (wide end)
Lens	F = 4.1 mm (wide) to 73.8 mm (tele). 216 x zoom ratio; 18 x optical zoom, 12 x digital, F=1.4 to F=3.0
Lens speed	From wide (optical) to tele (optical) 2.1 sec
Angle of view	48° (wide) to 2.8° (tele end)
Min. working distance	290mm (wide end), 800 mm (tele end)
Min. illumination	0.7 Lux (F1.4 1/50 sec. PAL)
Day/Night function	IR Cut filter (ICR)
S/N ratio	50 dB or more
TV system	PAL, CVBS, 625 lines interlaced, 50 Hz, 4.43 MHz colour subcarrier 1 Vtt (75 ohm)
ALU Housing	Anodised aluminium housing corrosion proof according IEC 60068-2-52 salt mist, cyclic
SST Housing	Stainless steel 316 / 1.4401
Pan angle	Total 340°, 170° left, 170° right
Tilt angle	Total 180°, 90° up, 90° down
Backlash PTZ	1°
Fixed camera positions	6 preset camera positions, preset tolerance: <1°
Pan & Tilt speed	12.5°/sec
Fuse	The PTZ must be protected with a 500 mA-T fuse, with 1500A breaking capacity Placed on the Ex-board, see Installation manual for more details.
Weight aluminium	8.8 kg (including 5 m cable, 3.5 m available for installation)
Weight stainless steel	18.8 kg (including 5 m cable, 3.5 m available for installation)
Communication	RS 232 Visca protocol 9.6 Kbps or RS232 Pelco D 9.6 Kbps
Waterproof	IP66/68 following IEC 60529. 1.4 Bar overpressure filled with dry nitrogen, monitored by two absolute sensors, long term stability 0.1%/year. The Camera is also successfully tested IP69K following DIN 40050-9: camera can withstand a high pressure cleaning with water: 14-16L/min. 80°C and 100 bars flow.
Operating temperature	T4: Tamb -40°C to +75°C.
Power input	Power PTZ unit = 24V DC +/-10%
Power consumption	Camera unit; Temperature <0°C (heater on): 5.6W. Temperature >0°C (heater off): 3.6 W. Pan & Tilt; 24V, 12W
Included	Steel cable fall protection and a 12AWG 4mm ² wire to earth
Optional accessory	Wash and wiper System, 15" Ex d display unit, Video server, VB-CAM-MULTI-PTZ-ARM, VB-CAM-MULTI-PTZ-UNI

Dimensions (Units in mm)



We reserve the right to make any changes at any time according to technological progress or further development.



WWW.CABLEJOINTS.CO.UK
THORNE & DERRICK UK
 TEL 0044 191 490 1547 FAX 0044 477 5371
 TEL 0044 117 977 4647 FAX 0044 977 5582