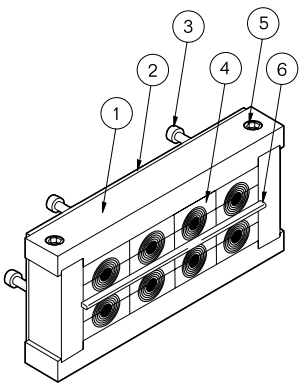


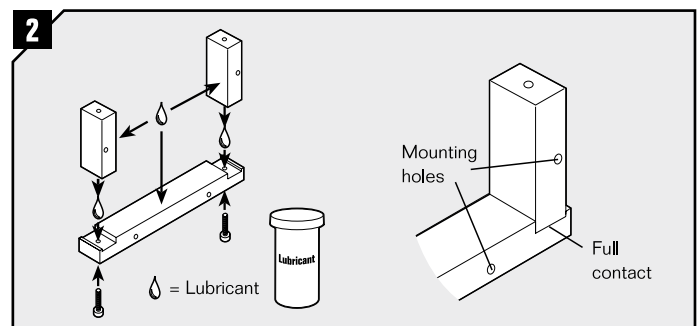
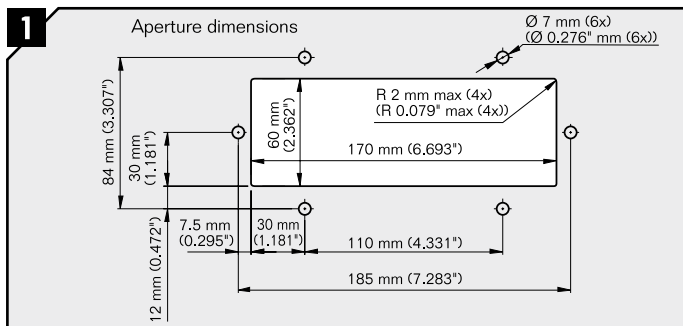
Assembly Instruction Roxtec CF 24



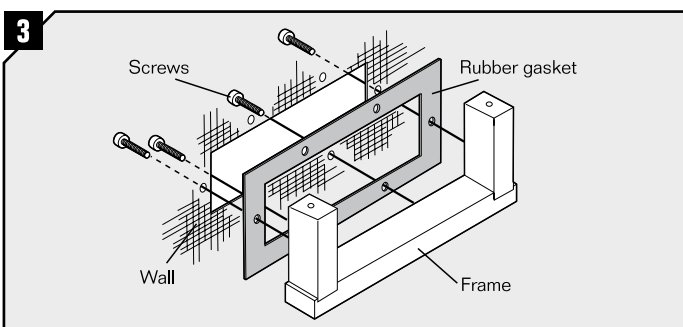
No	Description
1	Frame
2	Gasket
3	Screw for mounting*
4	Module
5	Screw for assembly
6	Stayplate

*With this screw maximum thickness of the wall is 10 mm

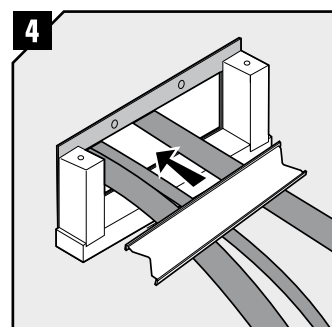
Roxtec CF 24 installation



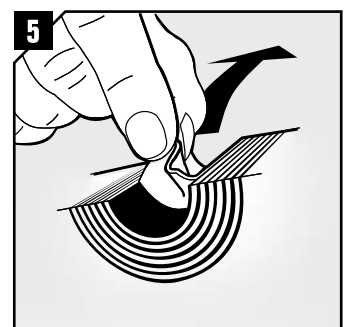
Put the two "short" frame parts and one "long" part together. Lubricate the contact surfaces. Make sure all mounting holes for the wall are on the same side and are fitted to the aperture dimensions.



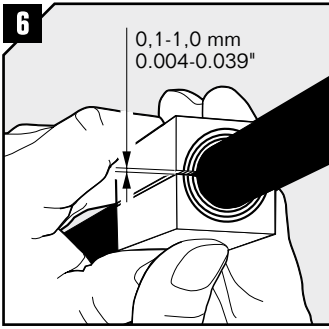
Fasten the frame loosely to the wall with four screws. The rubber gasket shall be between the frame and the wall.



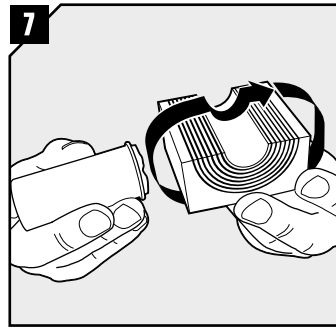
Insert all the cables and the stayplate/s into the frame.



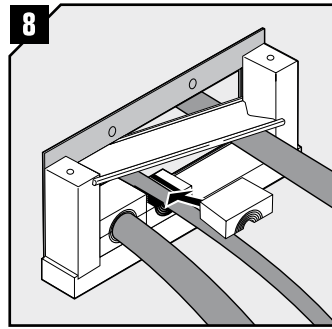
Adapt all modules which are to hold cables or pipes by peeling layers acc. to picture 6.



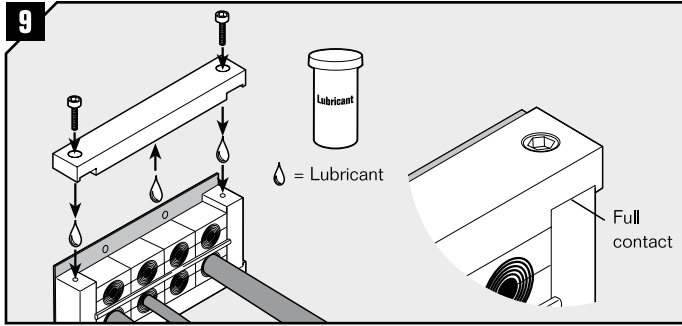
Try to achieve a 0,1-1,0 mm gap between the two halves when held against the cable/pipe.



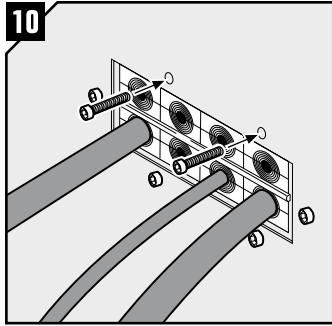
Lubricate all modules thoroughly with Roxtec Lubricant, both the inside and the outside surfaces.



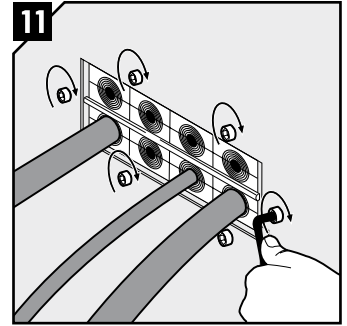
Insert the modules around the cables.



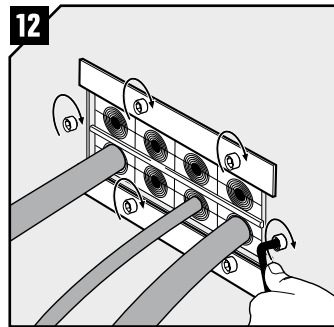
Lubricate the last "long" frame part on the inside and on both contact surfaces. Assemble the frame by tightening the screws diagonally until the "long" frame part is in full contact with the "short" frame parts.



Fasten the frame to the wall with the last two screws from the backside.



Tighten the screws on the backside diagonally.



Note

- For optimum reliability, wait 24 hours or longer after installation before exposing the cables/pipes to strain or pressure.
- To be used with: CM components
- Cables shall go straight through the frame.

OBSERVE:

If the wall is thinner than 2 mm a counter flange is recommended (supplied by Roxtec).
The two parts are mounted on the backside of the wall, facing the "long" frame parts.



WWW.CABLEJOINTS.CO.UK
THORNE & DERRICK UK
TEL 0044 191 490 1547 FAX 0044 477 5371
TEL 0044 117 977 4647 FAX 0044 977 5582
WWW.THORNEANDDERRICK.CO.UK

Disassembly instruction

Reverse order

DISCLAIMER

"THE ROXTEC CABLE ENTRY SEALING SYSTEM ("THE ROXTEC SYSTEM") IS A MODULAR BASED SYSTEM OF SEALING PRODUCTS CONSISTING OF DIFFERENT COMPONENTS. EACH AND EVERY ONE OF THE COMPONENTS ARE NECESSARY FOR THE BEST PERFORMANCE OF THE ROXTEC SYSTEM. THE ROXTEC SYSTEM HAS BEEN CERTIFIED TO RESIST A NUMBER OF DIFFERENT HAZARDS. ANY SUCH CERTIFICATION, AND THE ABILITY OF THE ROXTEC SYSTEM TO RESIST SUCH HAZARDS, IS DEPENDENT ON ALL COMPONENTS THAT ARE INSTALLED AS A PART OF THE ROXTEC SYSTEM. THUS, THE CERTIFICATION IS NOT VALID AND DOES NOT APPLY UNLESS ALL COMPONENTS INSTALLED AS PART OF THE ROXTEC SYSTEM ARE MANUFACTURED BY OR UNDER LICENSE FROM ROXTEC ("AUTHORIZED MANUFACTURER"). ROXTEC GIVES NO PERFORMANCE GUARANTEE WITH RESPECT TO THE ROXTEC SYSTEM, UNLESS (A) ALL COMPONENTS INSTALLED AS PART OF THE ROXTEC SYSTEM IS MANUFACTURED BY AN AUTHORIZED MANUFACTURER AND (B) THE PURCHASER IS IN COMPLIANCE WITH (A), AND (B), BELOW.

(A) DURING STORAGE, THE ROXTEC SYSTEM OR PART THEREOF, SHALL BE KEPT INDOORS IN ITS ORIGINAL PACKAGING AT A TEMPERATURE NOT EXCEEDING +70°C/158°F AND NOT BELOW -40°C/-40°F.

(B) INSTALLATION SHALL BE CARRIED OUT IN ACCORDANCE WITH

ROXTEC ASSEMBLY INSTRUCTION IN EFFECT FROM TIME TO TIME.

THE PRODUCT INFORMATION PROVIDED BY ROXTEC DOES NOT RELEASE THE PURCHASER OF THE ROXTEC SYSTEM, OR PART THEREOF, FROM THE OBLIGATION TO INDEPENDENTLY DETERMINE THE SUITABILITY OF THE PRODUCTS FOR THE INTENDED PROCESS, INSTALLATION AND/OR USE.

ROXTEC GIVES NO GUARANTEE FOR THE ROXTEC SYSTEM OR ANY PART THEREOF AND ASSUMES NO LIABILITY FOR ANY LOSS OR DAMAGE WHATSOEVER, WHETHER DIRECT, INDIRECT, CONSEQUENTIAL, LOSS OF PROFIT OR OTHERWISE, OCCURRED OR CAUSED BY THE ROXTEC SYSTEMS OR INSTALLATIONS CONTAINING COMPONENTS NOT MANUFACTURED BY AN AUTHORIZED MANUFACTURER.

ROXTEC EXPRESSLY EXCLUDES ANY IMPLIED WARRANTIES OF MERCHANTABILITY AND FITNESS FOR A PARTICULAR PURPOSE AND ALL OTHER EXPRESS OR IMPLIED REPRESENTATIONS AND WARRANTIES PROVIDED BY STATUTE OR COMMON LAW. USER DETERMINES SUITABILITY OF THE ROXTEC SYSTEM FOR INTENDED USE AND ASSUMES ALL RISK AND LIABILITY IN CONNECTION THEREWITH. IN NO EVENT SHALL ROXTEC BE LIABLE FOR CONSEQUENTIAL, PUNITIVE, SPECIAL, EXEMPLARY OR INCIDENTAL DAMAGES."



Roxtec International AB
Box 540, 371 23 Karlskrona, SWEDEN
PHONE +46.455.36 67 00, FAX +46.455.820 12
EMAIL info@se.roxtec.com, www.roxtec.com