

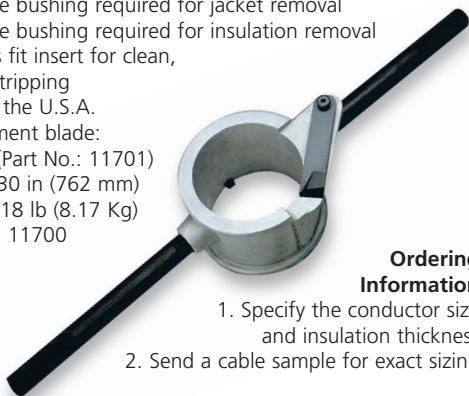
WS 70 Adjustable Cable Stripper

- End strips outer jacket or insulating material on 46 to 69KV cable
- 1.9 in (48 mm) to 3.65 in (93 mm) OD cable range
 - Fine adjustment feature for blade
 - Tool is self-feeding during stripping operation
 - Dual handle design gives greater leverage
- Replacement Blade CB265 (Part No.: 42042)
 - Made in the U.S.A.
 - Length: 17.5 in (444 mm)
 - Weight: 3.3 lbs (1.5 kg)
 - Part No.: 42040



WS 13B Transmission Cable End Stripper

- For solid dielectric transmission cables to 230 KV
- 3.75 to 5.25 in (95.25 to 133.35 mm) cable O.D.
- Insulation thickness 100 to 900 mils (2.54 to 22.86 mm)
- Strips tough, high density outer jackets
- Strips polyethylene insulation with insulation shield
- Bushing inserts adapt tool to cable
 - One bushing required for jacket removal
 - One bushing required for insulation removal
- Bushings fit insert for clean, precise stripping
- Made in the U.S.A.
- Replacement blade: CB 13B (Part No.: 11701)
 - Length: 30 in (762 mm)
 - Weight: 18 lb (8.17 Kg)
 - Part No.: 11700



Ordering Information

1. Specify the conductor size and insulation thickness
2. Send a cable sample for exact sizing