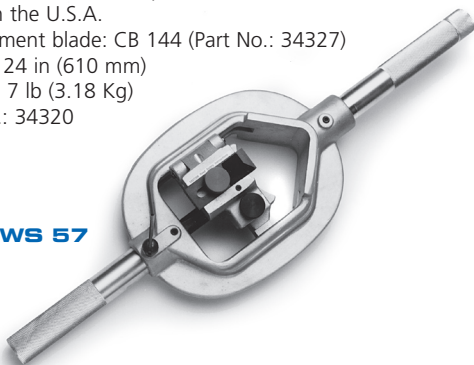


WS 57 SERIES

Adjustable End Stripper/Jacket Stripper

- For 45 to 115 KV cables
- 2.0 to 4.25 in (50.80 to 108.00 mm) cable O.D.
- Quick-slide adjustment for cable sizing
- Easy setting of blade cutting depth
- For XLPE, polyethylene and EPR insulations
- Blade angle adjusts easily to control width of end strip cut
- Made in the U.S.A.
- Replacement blade: CB 144 (Part No.: 34327)
- Length: 24 in (610 mm)
- Weight: 7 lb (3.18 Kg)
- Part No.: 34320

WS 57



Adjustable End Stripper/ Jacket Stripper and Semi-con Shaver

- Same features as WS 57 plus
- Adjustable semi-con shaving blade system
- Made in the U.S.A.
- Replacement blades:
 - CB 40X shaving blade (Part No.: 21715)
 - CB 144 end stripping blade (Part No.: 34327)
- Length: 24 in (610 mm)
- Weight: 7 lb (3.18 Kg)
- Part No.: 34735

WS 57A



SECONDARY DIST.

PRIMARY DIST. (OH)

PRIMARY DIST. (URD)

SPECIALITY DIST.

TRANSMISSION