

Industrial Cable Glands

FP600 (Indoor/Outdoor) Type For FP600 Enhanced Fire Resistant Cables



Application

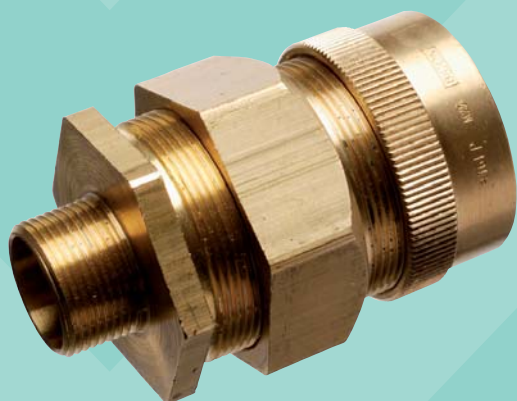
- > Specifically designed to suit the Prysmian FP600 range of enhanced fire resistance cables
- > Also suitable for 'Type MC' metal clad, 'TECK' and interlocked armour cables

Features & Benefits

- > Outer seal gives water and dust protection to IP66 and NEMA 4X
- > LSOH seals giving a continuous operating temperature range of -50°C to +200°C
- > Unique armour continuity clip providing earth continuity

Technical Data

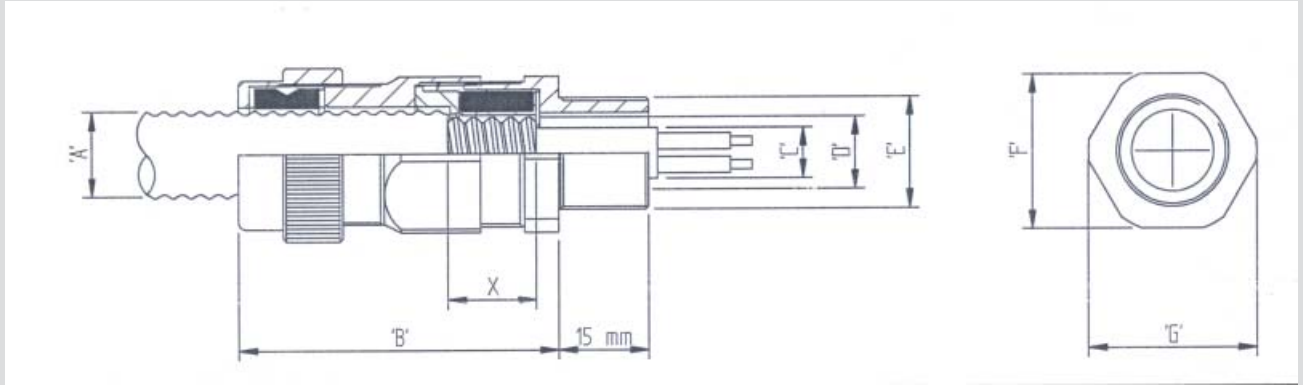
- > Also available with NPT entry threads and nickel coating
- > Supplied complete with:
 - Brass earth tag
 - Brass locknut



WWW.CABLEJOINTS.CO.UK
THORNE & DERRICK UK
TEL 0044 191 490 1547 FAX 0044 477 5371
TEL 0044 117 977 4647 FAX 0044 977 5582
WWW.THORNEANDDERRICK.CO.UK



FP 600 (Indoor/Outdoor) Type For FP600 Enhanced Fire Resistant Cables



Gland Details

Gland Reference	Thread Size 'E'	Gland Dimensions			Cable Dimensions				Shroud References	
		Hexagon A/F 'F' max	Hexagon A/C 'B' max	Protusion 'B' max	Overall Dia 'A' min/max	Armour Dia 'D' min/max	Bedding Dia 'C'	Stripping Length 'X'	LSF Shroud	PVC Shroud
416FP-54	M25x 1.5	42.4mm	48.0mm	62mm	17.0/26.7	16.5/22.6	18.3 max	22mm	-	-
416FP-55	M25 x 1.5	47.2 mm	53.6 mm	71 mm	24.1/33.0	22.0/29.0	20.4 max	22 mm	401LSF06	401PV50
416FP-56	M32 x 1.5	56.4 mm	61.5 mm	69 mm	29.0/36.6	27.9/34.3	26.2 max	22 mm	401LSF07	-
416FP-57	M40 x 1.5	65.5 mm	72.1 mm	68 mm	34.5/41.9	33.5/39.1	32.1 max	22 mm	-	401PV28
416FP-59	M50 x 1.5	90.2 mm	100.0 mm	98 mm	39.5/55.9	38.4/52.8	44.0 max	32 mm	-	-



WWW.CABLEJOINTS.CO.UK
THORNE & DERRICK UK
 TEL 0044 191 490 1547 FAX 0044 477 5371
 TEL 0044 117 977 4647 FAX 0044 977 5582
WWW.THORNEANDDERRICK.CO.UK

