

Cleats & Cable Fixings



WWW.CABLEJOINTS.CO.UK
THORNE & DERRICK UK
TEL 0044 191 490 1547 FAX 0044 477 5371
TEL 0044 117 977 4647 FAX 0044 977 5582
WWW.THORNEANDDERRICK.CO.UK

Description



Aluminium Claw Cleat

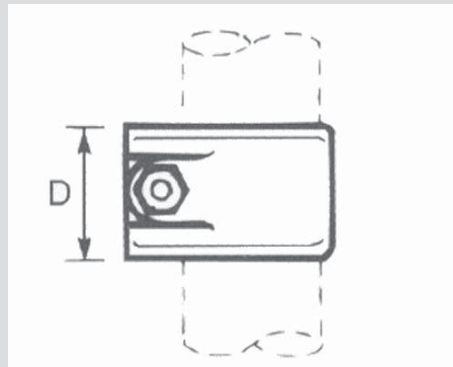
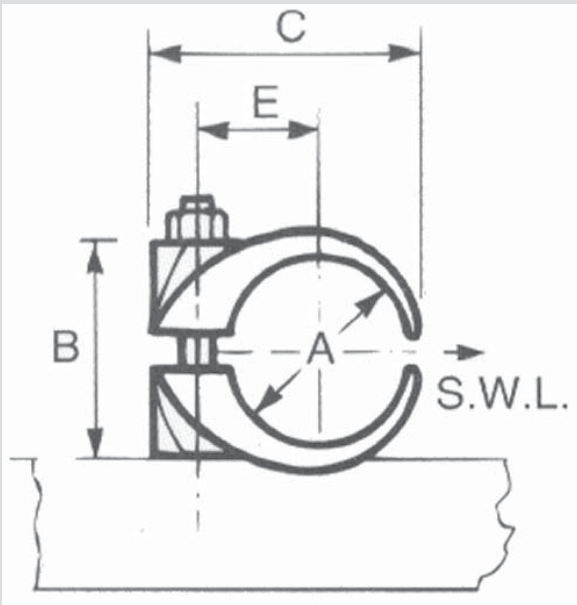


- > Suitable for use with cables from 10 to 51mm in diameter
- > Available in 9 sizes
- > Can be used for all types of cable routes
- > Plain finish - for indoor dry normal industrial use or outdoor unpolluted areas
- > Operating temperature -60°C to +100°C
- > Two-piece, single fixing design
- > Can be stacked to a maximum of three on one fixing

Packing pieces and lindaptor fittings to be used where required.

For information on these items, please see separate datasheets.

Aluminium Claw Cleat



Cable and Cleat Details

Table & Cleat Selection			Cleat Details						
Design Number	Cable Diameter A (mm)		Dimensions (mm)				Approx. Weight g	SWL (FOS 3) kg	Stud Size
	Min	Max	B	C	D	E			
370BA01	10	13	21	38	46	16	60	150	M10
370BA02	13	16	21	38	46	16	50	148	M10
370BA03	16	19	24	41	46	18	60	121	M10
370BA04	19	22	27	44	46	19	70	112	M10
370BA05	22	25	30	48	46	21	80	95	M10
370BA06	25	32	37	54	46	24	90	85	M10
370BA07	32	38	43	60	46	27	110	83	M10
370BA08	38	44	49	67	46	30	120	60	M10
370BA09	44	51	56	73	46	34	150	62	M10

METHOD OF FIXING

In all applications the cleats should be mounted on suitable M10 fixings. When mounting directly on "Unistrut" or "Leprack" type channel, adaptor plate 380AG02 should be used. When stacking claw cleats use packing piece 389AC03 between cleats. (Please see separate datasheets for selecting both of these items.)

SWL = Safe Working Load

FOS 3 = Values include a Factor Of Safety of 3.