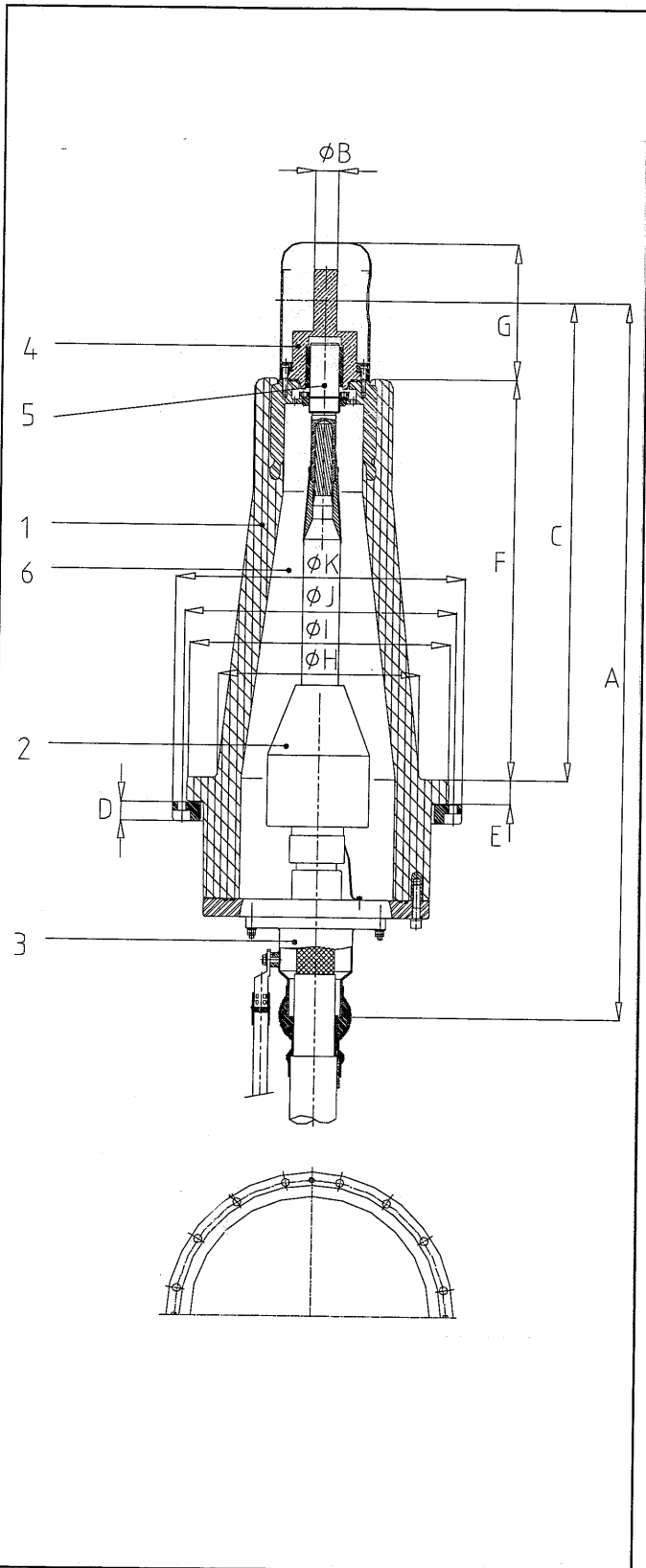


# TRANSFORMER SEALING END

FOR SYNTHETIC INSULATED CABLES

STY1.72-11/0 – 72kV



## TECHNICAL CHARACTERISTICS

MODEL	I	II
-------	---	----

ELECTRICAL			
Max operating voltage	kV	72	
Impulse voltage strength 1.2/50µs	kV	325	
Nominal leakage path	mm	N/A	

MECHANICAL			
Max cross section	mm <sup>2</sup>	300 - 1600	
Max Ø over insulation	mm	90	
Total weight approx	kg	60	

MAIN DIMENSIONS			
A	mm	1055	
ØB	mm	30	
C	mm	605	
D	mm	30	
E	mm	40	
F	mm	511	
G	mm	160	
ØH	mm	190	
ØI	mm	244	
ØJ	mm	270	
ØK	mm	300	
ØL	mm	12	

## MAIN PARTS

DESIGNATION	MATERIAL
1 Insulator	Epoxy
2 Stress relief cone	Elastomer
3 Gland	Copper / Brass tinned
4 Top plate	Tinned brass
5 Top bolt	Copper / Alu / Bimetal
6 Filling compound	Insulating compound

## NOTES

According to IEC 60840



WWW.CABLEJOINTS.CO.UK

THORNE & DERRICK UK

TEL 0044 191 490 1547 FAX 0044 477 5371

TEL 0044 117 977 4647 FAX 0044 977 5582

WWW.THORNEANDDERRICK.CO.UK