

SREI HEAT-SHRINKABLE SINGLE CORE XLPE INDOOR TERMINATION

Up to 36 kV

- 6/10 (12) kV
- 6.35/11 (12) kV
- 8.7/15 (17.5) kV
- 12/20 (24) kV
- 12.7/22 (24) kV
- 18/30 (36) kV
- 19/33 (36) kV

Application

A set of three heat-shrinkable terminations for polymeric cables, are widely used by power utilities and in industrial applications. For use indoor in controlled environmental conditions.

Design

1. Cable lug (supplied on request).
2. Water sealing mastic.
3. Anti-tracking heat-shrinkable tube.
4. Stress control heat-shrinkable tube.
5. Stress control mastic.
6. Anti-tracking sheds (when required).

Specifications and standards

Meets the requirements of CENELEC HD 629.1 and IEC 60502-4.

Ordering instructions

Select the part number and add both system voltage and conductor size range.

Example part number:
 SREI 12/95-240

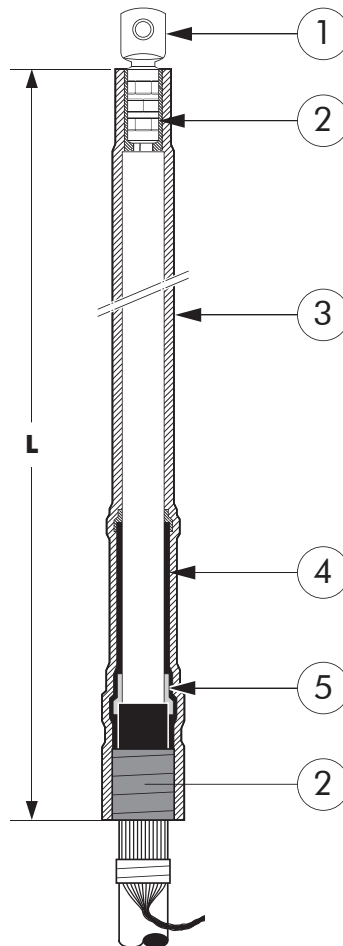


Fig. 1

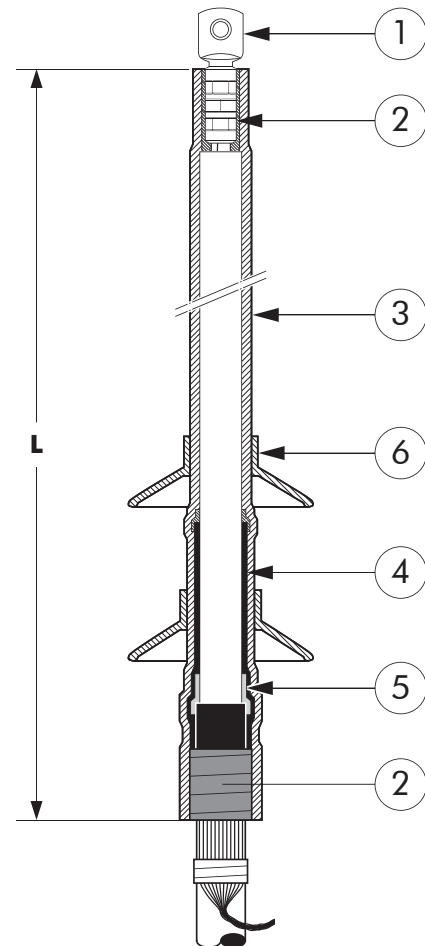


Fig. 2

Termination type	Voltage class (Um)	12 kV	(17 &) 24 kV	36 kV
SREI	Cable cross section (mm ²)	35-70	35-70	70-95
		95-240	95-185	120-240
		240-500	240-400	240-500
		400-630	400-630	



For use with other sizes and cable types. Please contact our representative.

05/2008