

672T1 INTERFACE D EQUIPMENT BUSHING

Up to 24 kV - 1250 A

Application

For use in equipment insulated with oil fluid, typically for transformers, switchgear, capacitors...

Technical characteristics

Each bushing is tested for AC withstand and partial discharge prior to leaving the factory.

6/10 (12) kV
 6.35/11 (12) kV
 8.7/15 (17.5) kV
 12/20 (24) kV
 12.7/22 (24) kV

Design

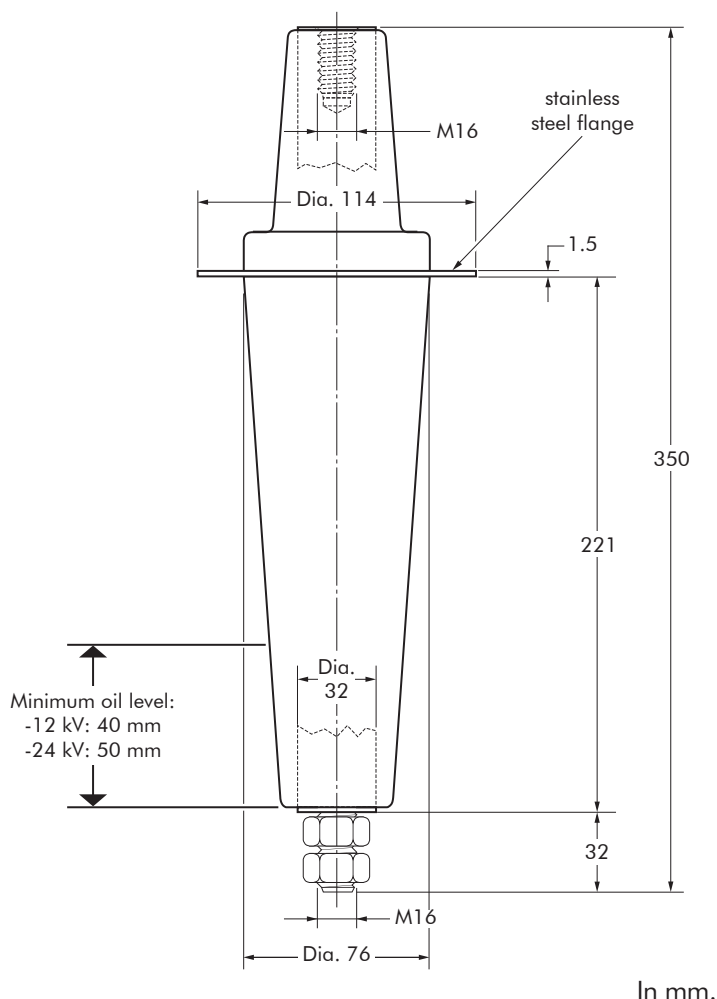
The equipment bushing is a moulded epoxy insulated part in accordance with CENELEC EN 50180.

Specifications and standards

The bolted type equipment bushings 672T1 meet the requirements of IEC 60137.

Ordering instructions

To order the equipment bushing, specify the type.
 For use in potentially explosive atmospheres (for 12 kV max.).
 Order: -/ATEX.

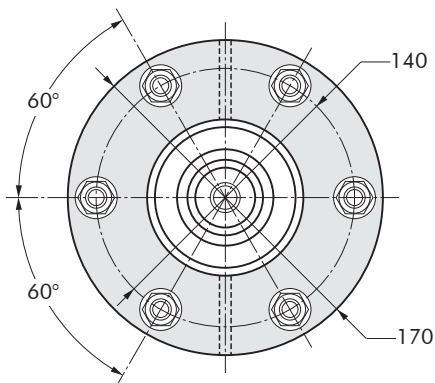
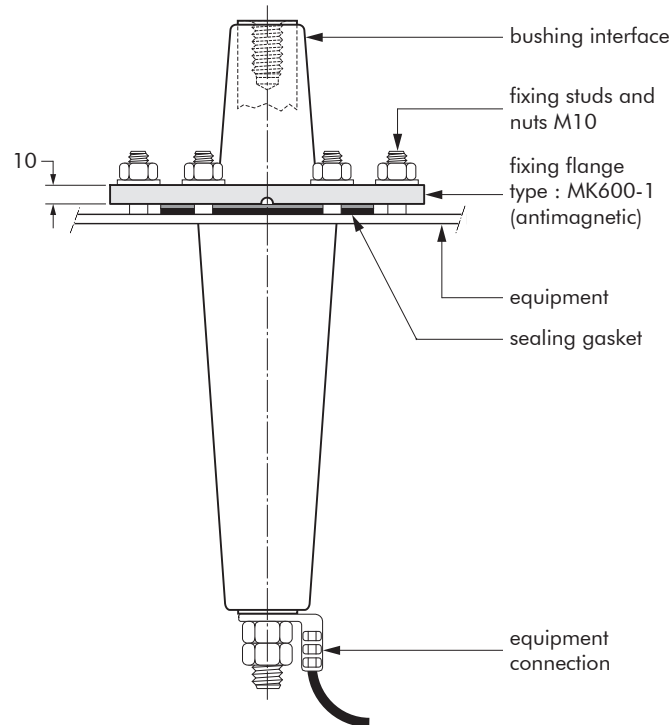


Equipment bushing type	Voltage Um (kV)	Current Ir (A)
672T1	12	1250
K672T1	24	1250

05/2015

FIXINGS FOR EQUIPMENT BUSHINGS

| 672T1 bushing



| Bushing fixing flange

To order the bushing fixing flange, simply specify MK600-1.