

PMC 400

Pole mounted cut out

400A rated



Overview and presentation

- All insulated pole mounted device for the containment of an overhead single pole fuse . Requires a BS 88 J type slotted tag fuse with 82mm centres



Features

- Fixed M12 studs for cable lug attachment
- Captive external cover screws with brass thread inserts
- Fine pitch thread for fuse holder wedge tightening screws
- Supplied with M10 x 90mm coach screw for fixing to wooden pole
- Single keyhole fixing allows unit to be hung on pre-fitted coach screw
- Test probe access in fuse handle
- Two flexible “doughnut” style cable sealing bushes provided
- Maximum size incoming cable: 300mm²
- Suitable for compression or mechanical shear bolt lugs
- Accepts BS 88 fuses with 82mm centres
- Facility to secure fuse handle to cut-out body with a lanyard during maintenance

Note: The equipment described on this data sheet must be installed by suitably qualified personnel according to applicable Local/ National Wiring regulations currently in force.

PMC 400 Pole mounted cut out 400A rated



Construction

- Body and cover..... PBT (polybutylene terephthalate) and ASA (Acrylic Styrene Acrylonitrile) blended material, Glass filled
- Phase busbars..... Electro-tin plated copper
- Fuse wedge contacts..... Brass
- Cable sealing glands.....Polyurethane foam



Performance

- Rated voltage240 / 415V a.c.
- Rated current.....400A
- Supply frequency..... 50-60Hz
- Operator protection, (cover in place).....IP43
- Flammability rating....UL94 V2, self-extinguishing 30 seconds at 960 degrees C



Conformity to Standards

- Conforms to BS 7656:1993
- IP rating according to BS EN 60529
- Accepts fuses conforming to BS 88



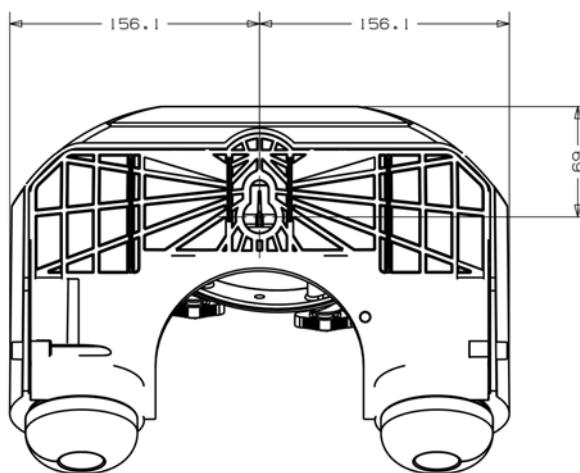
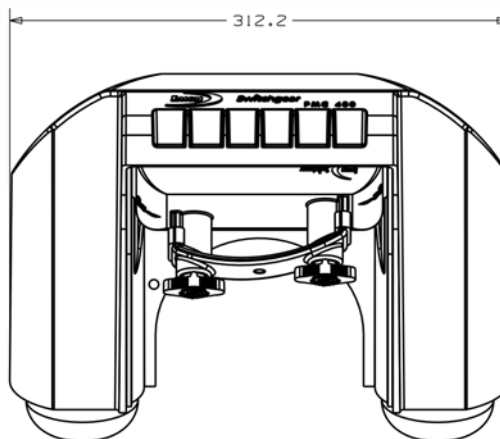
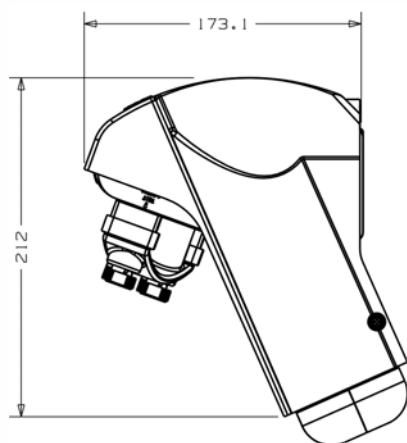
Weight and dimensions

- Height 217mm
- Width310mm
- Depth180mm
- Weight (excluding fuse) 2.56kgs

PMC 400
Pole mounted cut out
400A rated



General arrangement and dimensions (mm)



Single central fixing for M10 coach screw

Disclaimer

Lucy Switchgear has a policy of continuous research and development and accordingly reserves the right to change the design and specifications of its products without prior notice or liability.



WWW.CABLEJOINTS.CO.UK
THORNE & DERRICK UK
 TEL 0044 191 490 1547 FAX 0044 477 5371
 TEL 0044 117 977 4647 FAX 0044 977 5582
WWW.THORNEANDDERRICK.CO.UK

