

A total of 9 sizes make up the Fortress Double Door pillar family. Retaining all the features of the single door variants, the double door pillars open up to give full access to the cabinet interior without the impedance of a central divider.

As with the single door products, the mild steel double door types can be obtained in two panel thickness with a hot dip galvanised finish or hot dip galvanising followed by paint.



When ordering stainless steel versions, the customer can specify the grade and finish required although only one thickness is available.

Specification

Long life solid stainless steel hinge blocks on all versions

Three vandal resistant fully flush hinges per door

Two Lucy wedge locks fitted as standard

Backboard made from 18mm treated exterior grade plywood

Detachable roof with lifting hooks on pillar body

'Danger' warning label fitted in door recess

Detachable roof section finished in bitumen enriched paint

Earth lead between pillar body and door

High quality UV resistant paint to an average thickness of 60 microns

Door seal to IP65

Options

Customer specification pre-wired solutions available

Other colours / labels available to special order

Optional G2A Highways Agency paint specification

Dimensions (mm)

Pillar size code	14	16	18	20	22	24	26	28	30
Height above Ground (H)	1300	1300	1300	1300	1600	1600	1600	1600	1600
Root Section (R)	380	380	380	380	380	380	380	380	380
Width (W)	1250	1500	1750	2000	1250	1500	1750	2000	2250
Depth (D)	450	450	450	450	450	450	450	450	450
Door Opening Height (DH)	980	980	980	980	1280	1280	1280	1280	1280
Door Opening Width (DW)	1148	1398	1648	1898	1148	1398	1648	1898	2148
Working Depth (WD)	375	375	375	375	375	375	375	375	375
Backboard Size (WxH)	1225x1085	1475x1085	1725x1085	1975x1085	1225x1385	1475x1385	1725x1385	1975x1385	2225x1385
Weight (Kg) (thickness 3mm)	176	202	234	266	201	231	269	305	343

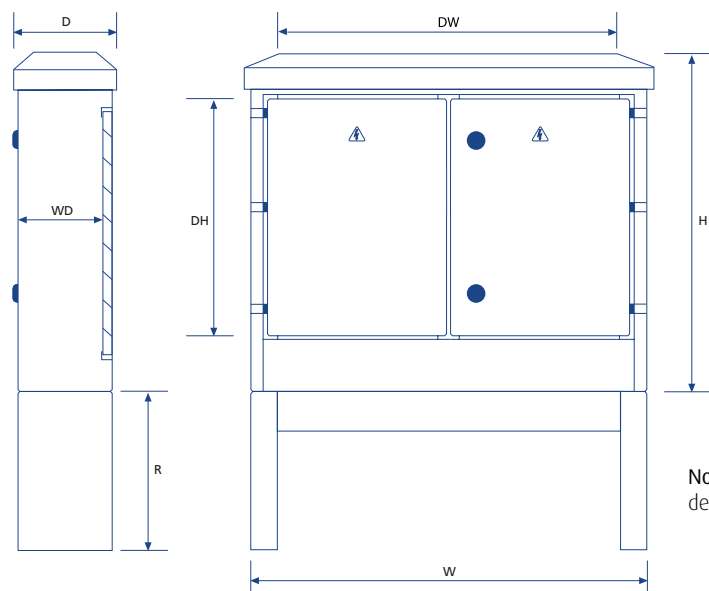
The ordering code consists of 4 sections

pillar size (mm)

Ref.	Ref.	Ref.	Ref.
14 H=1300 W=1250 D=450	HDG Hot Dip Galvanised	2.5 2.5mm Stainless Steel	A Internal Gland Plate
16 H=1300 W=1500 D=450	HDP Hot Dip Galvanised and Painted (Grey as standard) Other colours available on request	3 3mm	B In fill panel for root section (standard colour: black)
18 H=1300 W=1750 D=450	304 304 grade stainless steel	5 5mm	D Yale Lock
20 H=1300 W=2000 D=450	30P 304 grade painted finish		E Hasp and Staple
22 H=1600 W=1250 D=450	30L 304 grade grit finish		G Heater Kit
24 H=1600 W=1500 D=450	3CP 3CR12 painted finish		H 13 Amp Socket Kit
26 H=1600 W=1750 D=450	316 316 grade stainless steel		I Lighting Kit
28 H=1600 W=2000 D=450	31P 316 grade painted finish		J Document pocket inside door
30 H=1600 W=2250 D=450	31S 316 grade polished finish		SS Stainless Steel
	31L 316 grade grit finish		S If "S" Special requirement is selected, a full description with diagrams and specification must be provided

nominal material thickness*

*At manufactures discretion



Note Lifting lugs provided are only designed to lift the pillar shell.

Anti vandal lock available
 (See Feeder Pillar Accessory page 40)