

Fortress Mini pillars are available in 7 sizes to cater for the needs of most small installations. The top mounted tri-head lock secures the door in place. With the lock opened, the door lifts away from its slot location at the bottom of the cabinet to give unrestricted access to the pillar internals.



The following finishes are available:

**HDG:** Mild steel hot dip galvanised to BS EN ISO 1461

**HDP:** Mild steel hot dip galvanised to BS EN ISO 1461 followed by a pre-treatment then painted grey RAL 7012 as standard.

### Specification

Removable doors with tri-head locks

Back board made from 18mm treated exterior grade plywood

Detachable roof enabling pre-equipped back board to be installed on site

'Danger' warning label fitted in door recess

Earth lead between pillar body and door

High quality UV resistant paint to an average thickness of 60 microns

Stainless steel fixings and locks

Detachable root section finished in bitumen enriched paint

### Options

Stainless steel cabinet

Customer specification pre-wired solutions available

Other colours / labels available to special order

Optional G2A Highways Agency paint specification

Dimensions (mm)

Outgoing ways	4810	4811	4812	4813	4814	4815	4816
Nominal Size in inches (WxD)	4x4	6x4	6x6	8x6	10x6	14x6	19x10
Height Above Ground	785	785	785	785	785	985	1000
Root Section (R)	300	300	300	300	300	300	300
Width (W)	113	163	163	213	265	365	503
Depth (D)	120	120	170	170	170	170	250
Door Opening Height (DH)	510	510	510	510	510	710	800
Working Depth (WD)	85	85	130	130	130	130	199
Backboard Size (WxH)	90x500	140x500	140x500	190x500	240x500	345x700	480x780
Weight (Kg)	11	14	16	19	22	32	47

The ordering code consists of 4 sections

**pillar size (mm)**

Ref.	H=	W=	D=
4810	785	113	120
4811	785	163	120
4812	785	163	170
4813	785	213	170
4814	785	265	170
4815	985	365	170
4816	1000	503	250

**material type**

Ref.	Description
HDG	Hot Dip Galvanised
HDP	Hot Dip Galvanised and Painted (Grey as standard) Other colours available on request

**nominal material thickness\***

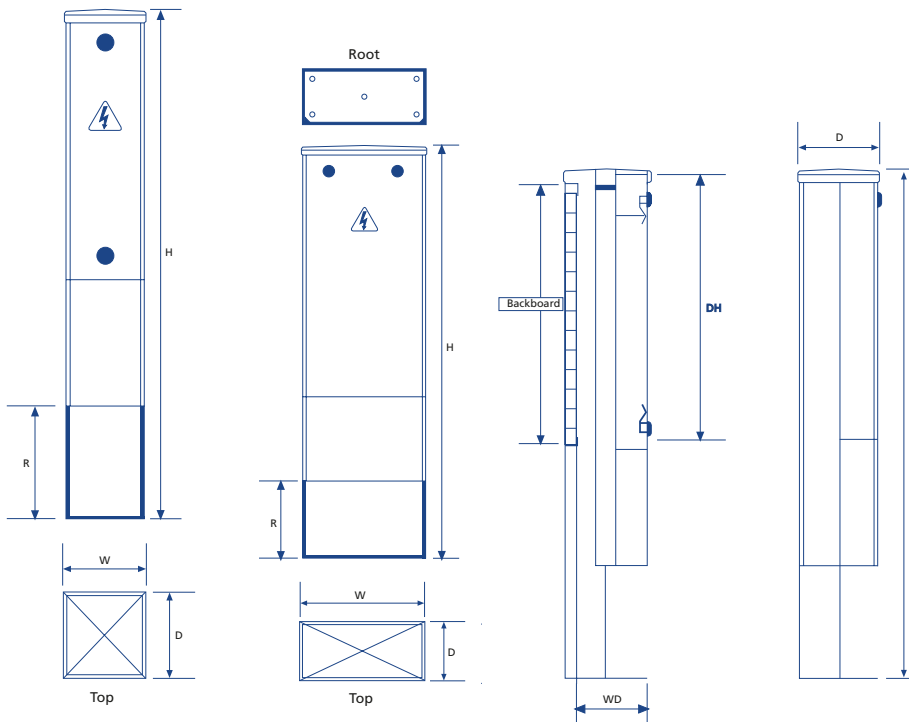
Ref.	Thickness
3	3mm

\*At manufactures discretion

**options**

Ref.	Option
PW*	Pre Wired
SL*	Special Locks
SS	Stainless Steel

\*State Components or Lock type required  
(See Feeder Pillar Accessory page 40)



4810/4811/4812/4813/4814

4815/4816