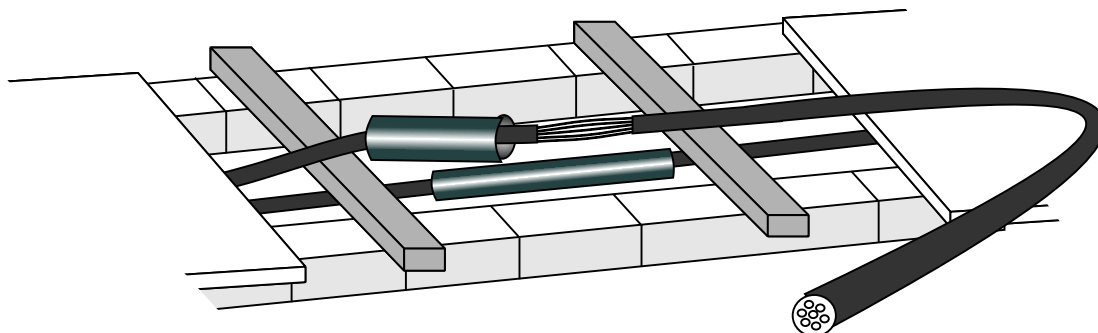




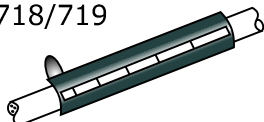
**LINESIDE MULTICORE SIGNALLING CABLE JOINT KITS**  
**ALL KITS COMPLETE WITH CRIMP CONNECTORS**



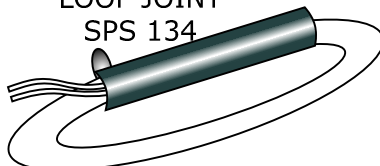
| PART NUMBER | P.A.D.S CAT. NO | JOINT DESCRIPTION<br>SIZE (mm <sup>2</sup> ) | CABLE P.A.D.S CAT. NO |
|-------------|-----------------|--|-----------------------|
| SPS 071     | 54/15870        | 7 CORE 1.5 JOINT                             | 6/120091              |
| SPS 071     | 54/15870        | 10 CORE 0.75-1.5 JOINT                       | 6/120093 AND 6/120094 |
| SPS 071     | 54/15870        | 12 CORE 0.75-1.5 JOINT                       | 6/120096 AND 6/120097 |
| SPS 072     | 54/15871        | 19 CORE 0.75-1.5 JOINT                       | 6/120099 AND 6/120100 |
| SPS 073     | 54/15874        | 27 CORE 0.75-1.5 JOINT                       | 6/120102 AND 6/120103 |
| SPS 074     | 54/15872        | 37 CORE 0.75-1.5 JOINT                       | 6/120105 AND 6/120106 |
| SPS 075     | 54/37009        | 48 CORE 0.75-1.5 JOINT                       | 6/120108 AND 6/120109 |
| SPS 076     | 54/15880        | 61 CORE 0.75-1.5 JOINT                       |                       |
| SPS 703     | 54/37120        | 7 CORE 2.5 JOINT                             | 6/120092              |
| SPS 703     | 54/37120        | 10 CORE 2.5 JOINT                            | 6/120095              |
| SPS 703     | 54/37120        | 12 CORE 2.5 JOINT                            | 6/120098              |
| SPS 704     | 54/37121        | 19 CORE 2.5 JOINT                            | 6/120101              |
| SPS 705     | 54/37122        | 27 CORE 2.5 JOINT                            | 6/120104              |
| SPS 706     | 54/37123        | 37 CORE 2.5 JOINT                            | 6/120107              |
| SPS 707     | 54/37124        | 48 CORE 2.5 JOINT                            | 6/120110              |

**LINESIDE MULTICORE SIGNALLING CABLE JOINT KITS**  
**FOR NON STANDARD APPLICATIONS**

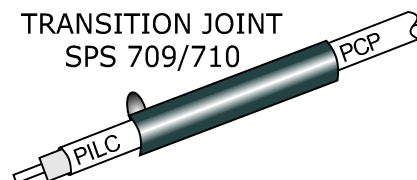
WRAPAROUND TEST  
 POINT REPAIR SPS  
 848/718/719



LOOP JOINT  
 SPS 134



TRANSITION JOINT  
 SPS 709/710



| PART NUMBER | P.A.D.S CAT. NO | CABLE SIZE (mm <sup>2</sup> ) | JOINT DESCRIPTION                    |
|-------------|-----------------|-------------------------------|--------------------------------------|
| SPS 848     | --              | 7-10 CORE 0.75-2.5            | TEST POINT KITS FOR SIGNALLING CABLE |
| SPS 718     | 54/37078        | 12-27 CORE 0.75-2.5           | TEST POINT KITS FOR SIGNALLING CABLE |
| SPS 719     | 54/37077        | 37-48 CORE 0.75-2.5           | TEST POINT KITS FOR SIGNALLING CABLE |
| SPS 134     | 54/15889        | 37 CORE 0.75-1.5              | INDUCTION LOOP JOINT (REED T/C)      |
| SPS 709     | 54/15846        | 37 CORE 0.75-1.5              | TRANSITION JOINT TYPE B2 TO PILC     |
| SPS 710     | 54/15848        | 19 CORE 0.75-1.5              | TRANSITION JOINT TYPE B2 TO PILC     |