

INDUSTRIAL FUSE-LINKS WITH BOLTED CONNECTIONS

TYPE SS

660/690 Volt Industrial Fuse-Links with Bolted Connections to BS88: Part 2 • IEC60269-2 • EN60269-2

Rated voltages: 660V a.c., 250V d.c. Breaking range and utilization category: gG Rated breaking capacities: 80kA at 660V a.c., 40kA at 250V d.c.



Lawson Type "SS" fuse-links are for use in industrial applications and have been approved by leading authorities including Electricity Supply Authorities. The range includes all BS88:Part 2 reference fuse-links up to 800 Amps and has gG classification. Non-reference variants cater for installation in non-standard or specialised equipment.

The range has a rated voltage of 660V a.c., and has been certified at a test recovery voltage of at least 110%. These fuse-links are therefore suitable on systems that meet the nominal harmonised voltage of 690V a.c., + 5%. The range also has a rating of 250V d.c.

A complementary range of solid/neutral links is available to suit our fuse-link range.

Product Detail

Product detail - Offset Tag Fuse-Links

List Reference	Current Rating (A)	BS88 Reference	Voltage Rating (V)	Breaking Capacity (kA)	BS Standard	IEC Standard	Carton Quantity	Carton Weight (Kg)
SSA1	2,4,6,10,16,20	A1	660a.c. 250d.c.	80kA-a.c. 40kA-d.c.	BS88: Part 2	60269-2	10	0.15
SSA2	2,4,6,10,16,20,25,32	A2					10	0.50
SSA3	35,40,50,63	A3					10	0.80
SSA4	32,40,50,63,80,100	A4					5	0.90
SSFP	125,160,200	(asA4)					1	0.25
85SSM	355,400	-					1	1.05
86SST	450,500,560,630,	-					1	1.40
86SST	670,710,750,800	-					1	1.40

Product detail - Central Tag Fuse-Links

List Reference	Current Rating (A)	BS88 Reference	Voltage Rating (V)	Breaking Capacity (kA)	BS Standard	IEC Standard	Carton Quantity	Carton Weight Kg
SSB	2,4,6,10,16,20,25,	-	660a.c. 250d.c.	80kA-a.c. 40kA-d.c.	BS88: Part 2	60269-2	10	0.60
SSB	32,35,40,50,63	-					10	0.75
SSBC	2,4,6,10,16,20,25,	(as B1)					10	0.60
SSBC	32,35,40,50,63	(as B1)					10	0.75
SSB1	80,100	B1					5	0.90
SSB2	125,160,200	B2					1	0.25
84SSF	125,160,200	-					1	0.25
SSB3	250,315	B3					1	0.45
84SSK	250,315	-					1	0.45
SSKM	125,160,200,250,315	-	1	0.45				
SSB4	355,400	B4	1	0.65				
SSC1	355,400	C1	1	0.78				
SSMT	355,400	-	1	0.83				
SSC2	450,500,560,630	C2	1	1.05				
SST	450,500,560,630	-	1	1.05				
SSC3	670,710,750,800	C3	1	1.40				
SSLT	670,710,750,800	-	1	1.40				
SSLU	450,500,560,630,	D1	1	2.40				
SSLU	670,710,750,800	D1	1	2.40				

See page 24 for the time/current and cut-off current characteristics.



CABLE JOINTS, CABLE TERMINATIONS, CABLE GLANDS, CABLE CLEATS
FEEDER PILLARS, FUSE LINKS, ARC FLASH, CABLE ROLLERS, CUT-OUTS

11KV 33KV CABLE JOINTS & CABLE TERMINATIONS

FURSE EARTHING

www.cablejoints.co.uk

Thorne and Derrick UK

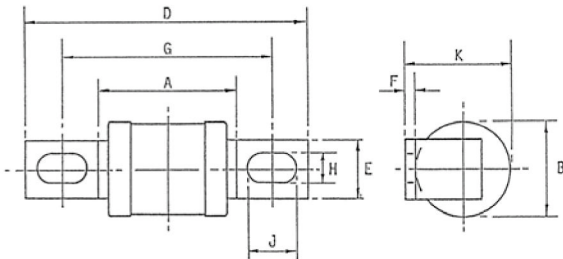
Tel 0044 191 490 1547 Fax 0044 191 477 5371

Tel 0044 117 977 4647 Fax 0044 117 9775582

INDUSTRIAL FUSE-LINKS WITH BOLTED CONNECTIONS

TYPE SS

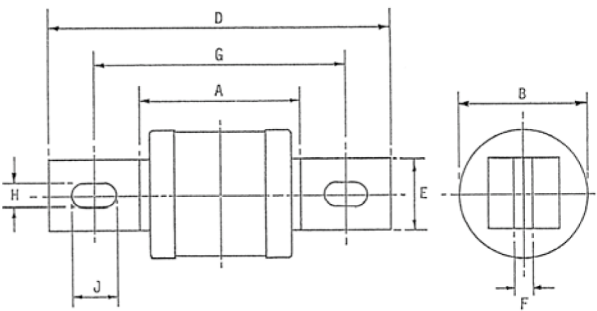
Dimensional Drawings



BS88: Part 2 reference 'A' fuse-link dimensions and tag variants

BS88 Ref.	Type Ref.	Current Ratings (A)	Dimensions (mm)									
			A max	B max	D max	E max	F nom	G nom	H nom	J nom	K max	
A1	SSA1	2,4,6,10,16,20	34	14.3	56	9.5	1.2	44.5	4.8	OPEN	14.3	
A2	SSA2	2,4,6,10,16,20,25,32	49	22	86	9	1.2	73	5.5	8	24	
A3	SSA3	35*,40,50,63	53	26	89	13	1.2	73	5.5	OPEN	28	
A4	SSA4	32,40,50,63	51	26	110	20	2.4	94	8.7	11	25	
A4	SSA4	80,100	60	35	110	20	2.4	94	8.7	11	38	
as A4	SSFP	125,160,200	60	41	110	20	2.4	94	8.7	11	42	
-	85SSM	355,400	60	61	110	20	2.4	102	8.7	11	42	
-	86SST	450*,500,560*,630	60	73	110	20	2.4	102	8.7	11	42	
-		670*,710*,750*,800	60	83	110	20	2.4	102	8.7	11	42	

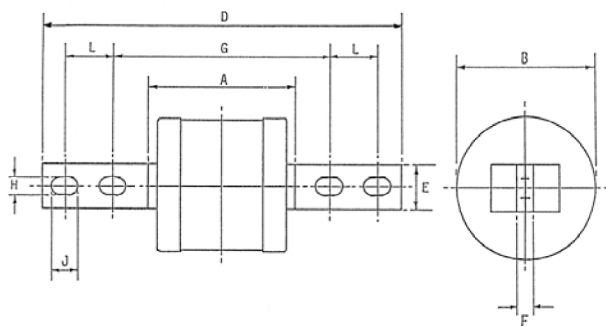
* Non-Standardized current rating additional to BS88: Part 2



BS88: Part 2 reference 'B' fuse-link dimensions and tag variants

BS88 Ref.	Type Ref.	Current Ratings (A)	Dimensions (mm)									
			A max	B max	D max	E max	F nom	G nom	H nom	J nom		
-	SSB	2,4,6,10,16,20,25,32	45	22	111	13	1.2	97	7.1	13		
-		35*,40,50,63	53	26	111	13	1.2	97	7.1	13		
as B1	SSBC	2,4,6,10,16,20,25,32	45	22	137	15	1.4	111	8.7	14		
-		35*,40,50,63	53	26	137	15	1.4	111	8.7	14		
B1	SSB1	80,100	60	35	137	20	3.2	111	8.7	14		
B2	SSB2	125,160,200	60	41	137	20	3.2	111	8.7	14		
-	84SSF	125,160,200	60	41	137	20	3.2	111	8.7	14		
B3	SSB3	250,315	75	51	137	26	3.2	111	8.7	14		
-	84SSK	250,315	60	51	137	20	3.2	111	8.7	14		
-	SSKM	125,160,200,250,315	75	51	159	26	3.2	133	10.3	14		
B4	SSB4	355*,400	77	61	137	26	6.4	111	8.7	16		

* Non-Standardized current rating additional to BS88: Part 2



BS88: Part 2 reference 'C' fuse-link dimensions and tag variants

BS88 Ref.	Type Ref.	Current Ratings (A)	Dimensions (mm)									
			A max	B max	D max	E max	F nom	G nom	H nom	J nom	L max	
C1	SSC1	355*,400	77	61	210	26	6.3	133	10.3	16	25.4	
-	SSMT	355*,400	77	61	267	26	6.3	165	10.3	16	31.8	
C2	SSC2	450*,500,560*,630	80	73	210	26	7.8	133	10.3	16	25.4	
-	SST	450*,500,560*,630	80	73	267	26	7.8	165	10.3	16	31.8	
C3	SSC3	670*,710*,750*,800	83	83	210	26	9.5	133	10.3	16	25.4	
-	SSLT	670*,710*,750*,800	83	83	267	26	9.5	165	10.3	16	31.8	
D1	SSLU	450*,500,560*,630	83	73	267	26	9.5	149	10.3	16	31.8	
-		670*,710*,750*,800	83	83	267	26	9.5	149	10.3	16	31.8	

* Non-Standardized current rating additional to BS88: Part 2



Parallel tag fixings on SSLU only



CABLE JOINTS, CABLE TERMINATIONS, CABLE GLANDS, CABLE CLEATS
FEEDER PILLARS, FUSE LINKS, ARC FLASH, CABLE ROLLERS, CUT-OUTS

11KV 33KV CABLE JOINTS & CABLE TERMINATIONS
FURSE EARTHING
www.cablejoints.co.uk
Thorne and Derrick UK

Tel 0044 191 490 1547 Fax 0044 191 477 5371
Tel 0044 117 977 4647 Fax 0044 117 9775582