

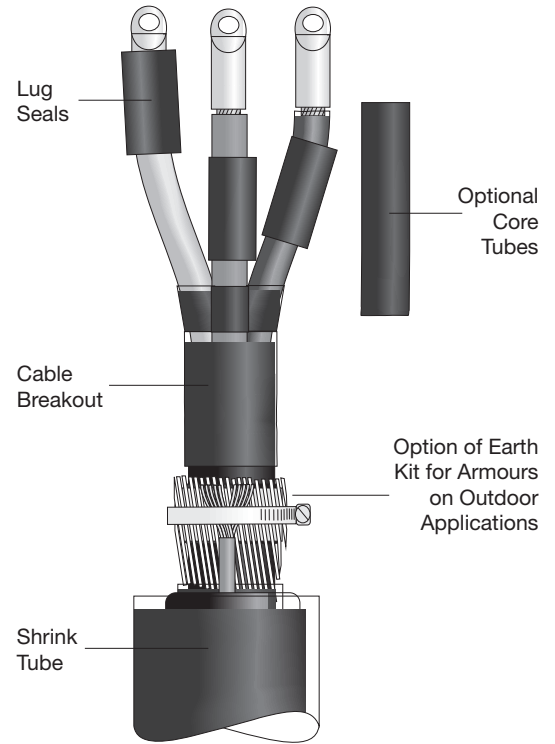


Heat Shrink Terminations XLPE/SWA/PVC Cables 0.6/1kV

2 Core Type	
Part Number	Cable Range
SPS 4-35-2X	4-35mm ²
SPS 35-150-2X	35-150mm ²
SPS 150-400-2X	150-400mm ²

3 Core Type	
Part Number	Cable Range
SPS 10-35-3X	10-35mm ²
SPS 50-95-3X	50-95mm ²
SPS 120-185-3X	120-185mm ²
SPS 185-300-3X	185-300mm ²

4 Core Type	
Part Number	Cable Range
SPS 10-35-4X	10-35mm ²
SPS 50-95-4X	50-95mm ²
SPS 120-185-4X	120-185mm ²
SPS 185-300-4X	185-300mm ²



Note: Standard tail length if core tubes are required is 600mm. Terminations for single core cables will be lug seal only. Please specify if alternative length is required.

Earthing Accessories

If earthing of the armours is required, suffix E1=Indoor EO=Outdoor

Example: If a 4 core 185mm² XLPE/SWA/PVC termination with indoor earthing is required the part number would be: SPS 185-300-4XE1.

Bolt on earth glands are also available and are listed on pages 15 and 16.

Test Reports

Independent test reports are available upon request.