

Certification and Approval

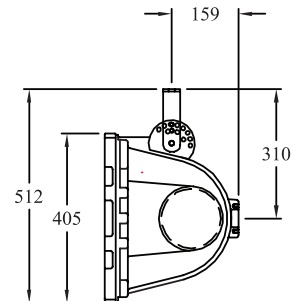
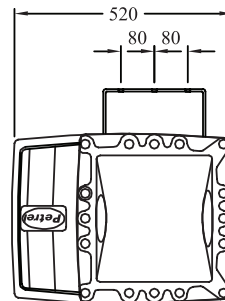
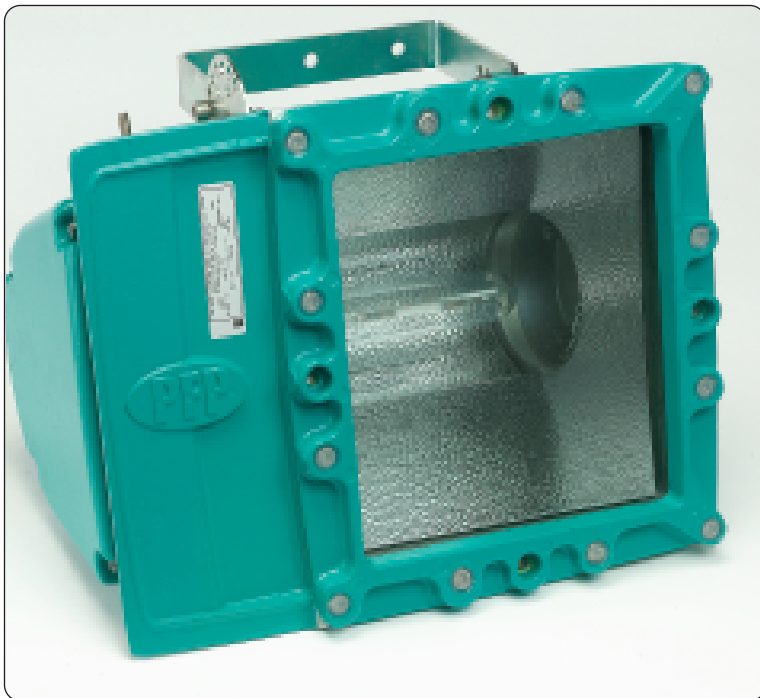
Certification Code	EEx de II 2 GD IIB T2 – T3 (See lamp tables for T rating)
Certification number	SIRA 01 ATEX 1035
Certification standard	EN 60079-0, 1, 7
Protection	IP 66

Features Options

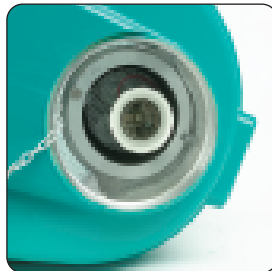
Rapid re – lamping through threaded access cover
 Narrow/Wide angle beam adjustment
 Symmetrical reflector as standard
 Integral EEx e Terminal chamber

Mounting bracket options
 0.9 power factor when fitted

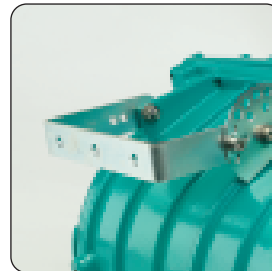
FOR AMBIENT TEMPERATURE “T” RATINGS SEE TABLES AT REAR OF CATALOGUE



Lamp access cover



Beam adjustment



Angular adjustment
 mounting plate

Technical Data

Supply Voltage	230v 50Hz Check for alternative voltages and frequency.
Operating Temperature	-20°C to +55°C standard supply but subject to lamp, voltage and ambient temperature combinations .
Control Gear	Integral within the luminaire and optional power factor correction
Lamp Options	Tubular: SON, MBI, HPMV, Tungsten. Symmetrical reflector fitted to all versions. (Lamps not provided)
Cable Entries	2 x M20 – ISO (1 plugged) as Standard Other threads available.
Terminals	2 wire and earth. Cable size 6mm 2 max with looping facility
Mounting Facility	Rear pole mounting directly to body or for adjustable angle version order with “U” shaped stirrup and graduated angle bracket.
Access	Terminals accessed via EEx e terminal cover with 4 stainless steel fixings. Lamp change via threaded lamp cover for reduced maintenance time.
Material	Corrosion resistant marine grade aluminium body and covers and toughened Borosilicate glass.
Finish	2 Pack epoxy paint on primed surface. Standard colour - Aqua Additional costs for non standard colours.
Weight	SON, MBI, HPMV 33Kgs Tungsten 29Kgs
Features	Adjustable beam width Symmetrical reflector fitted to all versions Heavy Duty construction Directionally adjustable with stirrup mounting bracket