

EPKMZ

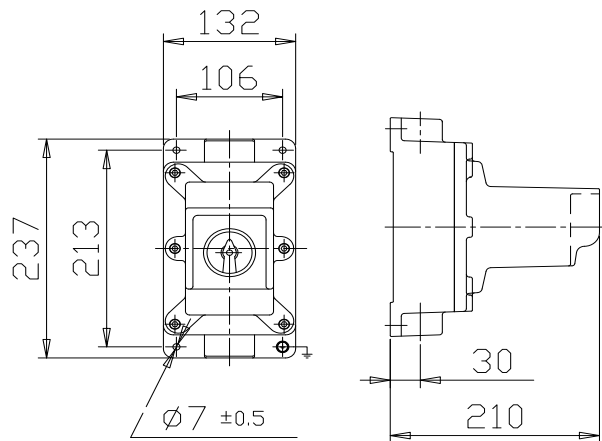
EPKMZ Motor-Protective Circuit Breakers are based on the EFQL Enclosure made of Copper free Aluminium and painted according to RAL 6003. They can be used indoor or outdoor, as well as in corrosive and hazardous locations where gases, vapours and dusts may be present. Motor-protective circuits breakers EPKMZ... Series consists of Ex d IIB certified enclosures, completed with automatic circuit breakers, on-load switches and selector switches up to 63A.

Specifications

Material	Copper-free aluminium (Cu<0,1%)
IP Rating	IP66/IP67 with flanged joint coated with silicone grease (contact our sales dept. for detailed reference)
Temperature	-30°C to 55°C
Certification & Approvals	EC-Type Examination Certificate INERIS 02ATEX0027X GOST Certificate POCC IT.ГБ04.В00508
Standards	EN 60079-0 / 60079-1 / 61241-0 / 61241-1 IEC 60079-0 / 60079-1 / 61241-0 / 61241-1
Ex-code	⊕ II 2 GD Ex d IIB T6 Ex tD A21 IP66 T85°C According to European Directive 94/9/EC (ATEX) For Zone 1 / Zone 2, Zone 21 / Zone 22
Surface treatment	Painted RAL 6003 colour
Entries	No 2 Entries diam. 1" or M32
Standard Identification	Identification nameplate is realized in high resistance self-adhesive polyester with thermal transfer inscriptions
Poles	3 Poles
Voltage	220/660V 50/60Hz
Accessories	Customized colors Overload and short circuit releases
Note	Foreseen with electrical unit up to 63 A External operating handle



Dimensions EFQL - 4



EPKMZ

Item	Note	Weight [kg]
TYPE EFQL - 3	Compatible until No. 8 steps of 9 [mm] (MULTI-9)	3,250
TYPE EFQL - 4	Compatible until No. 10 steps of 9 [mm] (MULTI-9)	4,600



WWW.CABLEJOINTS.CO.UK
THORNE & DERRICK UK
 TEL 0044 191 490 1547 FAX 0044 477 5371
 TEL 0044 117 977 4647 FAX 0044 977 5582
 WWW.THORNEANDDERRICK.CO.UK