

**Now available from Hawke International**  
*The PL612 Enclosure Populated as a Standard Offering*



- **The Ultimate in Robust GRP Construction**  
Designed to withstand impact resistance up to 20Nm  
GRP Construction provides a high degree of resistance to corrosive atmospheres
- **Anti-Static Properties**  
Removes the risk of ignition sources through static induced sparking resistivity  
Insulation Resistance in accordance with EN 50014 : 1998, which does not exceed 1 GΩ
- **External Mounting Feet**  
Eliminates the need to remove the lid when mounting the enclosure on the wall
- **Corrosion Resistant Stainless Steel Lid Fixing Screws with Nylon Retaining Washers**  
Prevents loss of screws during assembly and maintenance
- **Durable Captive Moulded Silicone Gasket**  
Provides Ingress Protection to IP66 and IP67  
DTS01 deluge protection witnessed by EECS
- **Stainless Steel Rating Label**  
Highly durable and corrosion resistant



# Enclosure Type

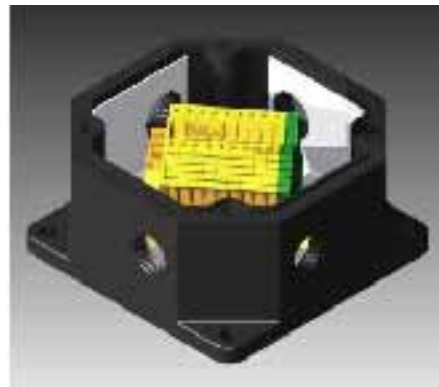
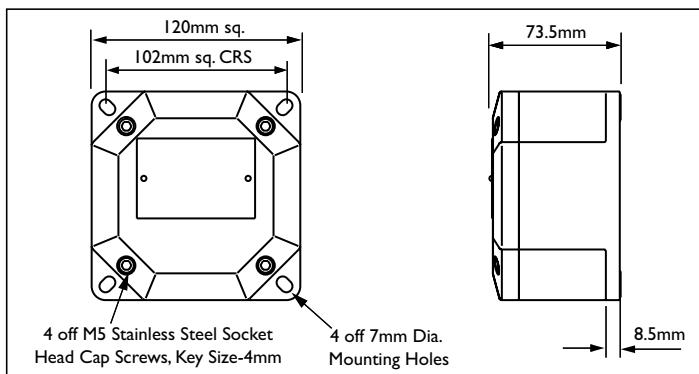
## Glass Reinforced Polyester PL612

Increased Safety EExe

Now available from Hawke International  
The NEW ATEX Approved PL612 Enclosure

PL6 Series GRP Enclosures

TERMINAL DATA						
Terminal Manufacturer	Terminal Type	Terminal Quantity	Conductor Size (mm <sup>2</sup> )		Max. Volts	Max. Amps
			Min.	Max.		
Weidmuller	WDU 2.5N	12 + 1 Rail Earth	0.5	2.5	420	16
Weidmuller	WDU 2.5	9 + 1 Rail Earth	0.5	2.5	550	19.5



### Technical Data

- Increased Safety EExe.  
⊕ II 2 GD EExe II.
- BASEEFA Certificate No. BAS 01 ATEX 2107X.
- Suitable for use in Zone 1, Zone 2, Zone 21 & Zone 22.
- Construction and test standards EN 50014, EN 50019 and EN 50281-1-1. IEC 60079-0 and IEC 60079-7.
- IP66 and IP67 ingress protection to IEC 60529 and EN 60529.
- DTS01 deluge protection witnessed by EECS.
- Operating temperature range -60°C to +75°C.
- Temperature Class and Ambients T6 40°C.

### Materials & Finishes

Glass Reinforced Polyester. Natural Black Finish.  
Flame Retardant to IEC 92.1. Clause 2.38.

**Please note :-**

**Hawke still offers enclosures to customer specifications, available from our Box Modifiers**

### General Information

Standard PL612 Enclosures are supplied complete with :-

- Steel Earth Continuity Plate.
- 1 x M20 offset tapped entry per face. (ENTRIES NOT PLUGGED).

### Features

- The Ultimate in Robust GRP Construction
- Anti-Static Properties
- External Mounting Feet
- Corrosion Resistant Stainless Steel Lid Fixing Screws with Nylon Retaining Washers
- Durable Captive Moulded Silicone Gasket
- Stainless Steel Rating Label

Hawke international is a division of Hubbell Ltd.  
A member of the Hubbell Group of Companies.



WWW.CABLEJOINTS.CO.UK  
THORNE & DERRICK UK  
TEL 0044 191 490 1547 FAX 0044 477 5371  
TEL 0044 117 977 4647 FAX 0044 977 5582  
WWW.THORNEANDDERRICK.CO.UK

**HAWKE**  
International