

Fluorescent Luminaire

HDL 220

Zone 2 EEx nA Fluorescent Luminaire – Emergency Fluorescent

Specification:

Enclosure:

Corrosion resistant Glass reinforced Polyester

Diffuser:

High Impact Polycarbonate

Retaining Clips:

Stainless Steel

Gear Tray:

Zinc Steel Painted

Control Gear:

High Frequency Electronic

T Rating:

T4 Gas and Dust

58W also available in T3

Surface Temp:

140°C

Key Features:

- The Zone 2 EEx nA Fluorescent Luminaire is designed from a high specification of corrosion resistant glass, reinforced polyester body and high impact polycarbonate diffuser to give the highest protection to ATEX standards for EEx nA applications.
- The luminaire features stainless steel diffuser retaining clips and zinc steel gear tray for rapid installation and easy maintenance.
- 18W, 36W, 58W, Single or Twin
- High specification.
- Sira certified.
- Rapid installation.
- Ease of maintenance.
- High Frequency Electronic Ballast.
- High Impact GRP Base.
- High Impact Polycarbonate Diffuser.
- Loop In / Loop Out as standard.
- Through wired versions available.
- Low Smoke Zero Halogen option.
- IP66

Engineering Solutions
Design to Manufacture

HADAR
LIGHTING 



WWW.CABLEJOINTS.CO.UK
THORNE & DERRICK UK
TEL 0044 191 490 1547 FAX 0044 477 5371
TEL 0044 117 977 4647 FAX 0044 977 5582
WWW.THORNEANDDERRICK.CO.UK

Protection:

Ex II 3GD EEx Na II T3/T4 IP65 T140°C

Certification: ATEX Certified by SIRA

	Certification	Ambient	Voltage Range	Certificate
HDL 220	Standard Ex II 3GD EEx nA II T3/T4/IP65	Standard Range 18W -20°C to +40°C T4 36W -20°C to +40°C T4 58W -20°C to +50°C T3	220V – 240V	SIRA 03ATEX 4566x
	Emergency Ex II 3GD EEx nA II T3/T4/IP65	Emergency Range 18W -15°C to +40°C T4 36W -15°C to +40°C T4 58W -15°C to +50°C T4		

Emergency Version: Twin units only, 3 hour battery duration

Electrical Specifications:

Electrical Specification	
Lamp Options	Power consumption
1 x 18W (600mm Luminaire)	20W
1 x 36W (1200mm Luminaire)	38W
1 x 58W (1500mm Luminaire)	60W
2 x 18W (600mm Luminaire)	39W (Emergency – 49W)
2 x 36W (1200mm Luminaire)	73W (Emergency – 83W)
2 x 58W (1500mm Luminaire)	113W (Emergency – 132W)

Better than 0.95

Power supply: 220V – 240V, 47/63 Hz AC/DC
Emergency version AC only

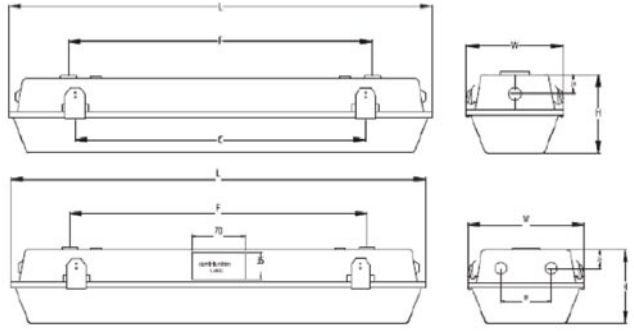
Installation:

Terminals: Suitable for up to 4.00mm² cable. 6.00mm² on request.
Cable Entries: 20mm clearance holes.
Suspension: To suit individual customer requirements.
Installation: Through Wiring available (Loop In/Loop Out as standard) Low smoke zero halogen available.

Ordering Matrix:

Field	Options
Product	HDL220
Version	S – Non Emergency E - Emergency
Fittings	L – Loop In/Loop Out T – Through Wired
Lamp Options	118 – 1 x 18W 136 – 1 x 36W 158 – 1 x 58W 218 – 2 x 18W 236 – 2 x 36W 258 – 2 x 58W

Dimensions:



	L	W	H	F	C
1 x 18W Luminaires	702	116	114	500	480 x 2 clips per side
1 x 36W Luminaires	1312	116	114	800	400 x 4 clips per side
1 x 58W Luminaires	1612	116	114	1100	380 x 5 clips per side
2 x 18W Luminaires	702	186	114	500	Weight
2 x 36W Luminaires	1312	186	114	800	Contact Sales Office
2 x 58W Luminaires	1612	186	114	1100	



Notes:

- 1) Final Product Code should be in the format: HDL220SL118
- 2) For Photometric Data contact the Sales Office.