



WWW.CABLEJOINTS.CO.UK
THORNE & DERRICK UK
TEL 0044 191 490 1547 FAX 0044 477 5371
TEL 0044 117 977 4647 FAX 0044 977 5582
WWW.THORNEANDDERRICK.CO.UK



Power Products

HellermannTyton

Introduction



HellermannTyton is a world leader in providing systems and solutions for heatshrink applications. HellermannTyton utilises global research and resources to offer solutions on a local basis. Wherever you are in the world, you have convenient access to HellermannTyton products and service.

The exceptional product range is the result of customer and project focused product development. All products are manufactured to world class quality specifications.

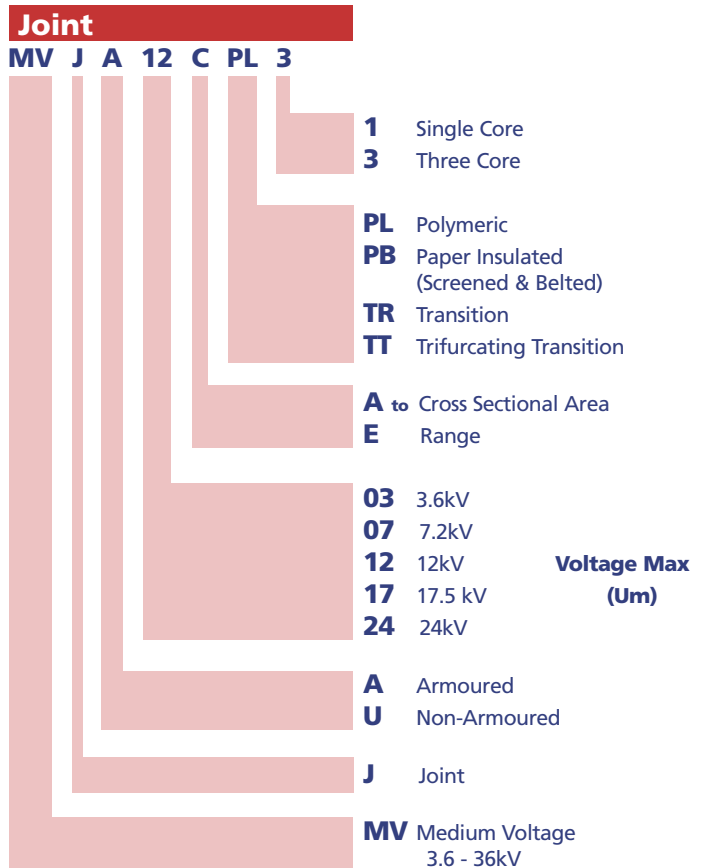
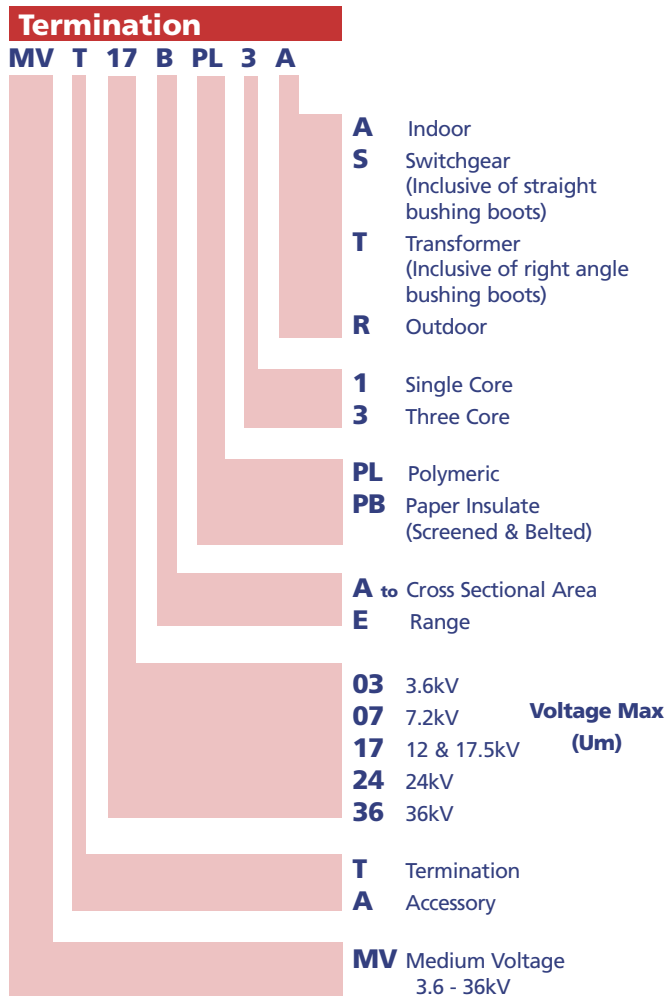
Please call our sales desk on **+44 (0) 1752 761211** or fax **+44 (0) 1752 761210**

Email: shapes.sales@hellermanntyton.co.uk

You can visit our website at: www.hellermanntyton.co.uk

Part Numbering System

Medium Voltage Terminations and Joints



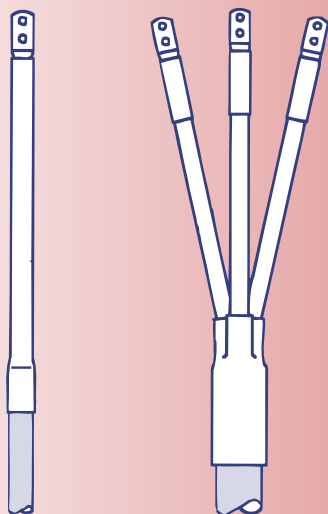
Medium Voltage	Page
Single and Three Core Terminations 3.6 kV	4
Paper Cables Terminations to 17.5 kV	5
Single Core Polymeric Terminations to 36 kV	6
Three Core Polymeric Terminations to 36 kV	7
Single Core Joints to 24 kV	8
Three Core Joints to 24 kV	9
Termination Accessories	10
Termination Accessories	11
Medium Voltage Busbar Tubing	Page
Medium and Heavy Wall	12
Low Voltage Kits	Page
LV Four Core Joints	13
Low Voltage Moulded Parts	Page
End Caps	14
Cable Breakouts	15
Low Voltage Heatshrink Tubing	Page
Energy Medium/Heavy Wall	16
Energy Thin Wall	17
Wraparound	Page
Cable Repair Sleeve	18
Technical Information	Page
Medium Voltage Terminations	19
Medium Voltage Joints	19
Low Voltage Products	19



860468

Medium Voltage Cable Terminations

Single and Three Core 3.6 kV



MVT non-screened series polymeric insulated cable terminations are designed to withstand rigorous service conditions and are suitable for both indoor and outdoor use.

The non-tracking heatshrink outer insulation tubes provide excellent UV stability, resistance to humidity and environmental pollutants. Durable sealants are incorporated to ensure the terminations are effectively environmentally sealed.

Part Number 3.6 kV for Indoor and Outdoor use		Conductor size range mm ²	Standard Tail Lengths* (mm)	
Single Core	3 Core		Single	3 Core
MVT03APL1A	MVT03APL3A	16 - 35	400	550
MVT03BPL1A	MVT03BPL3A	50 - 95		
MVT03CPL1A	MVT03CPL3A	95 - 300		
MVT03DPL1A	MVT03DPL3A	300 - 630		

* Other tail lengths can be supplied to order

See Page 2 for Part Number matrix.

Terminal lugs and armour earthing arrangements are not included in the kits.

For accessories see page 10 and 11.

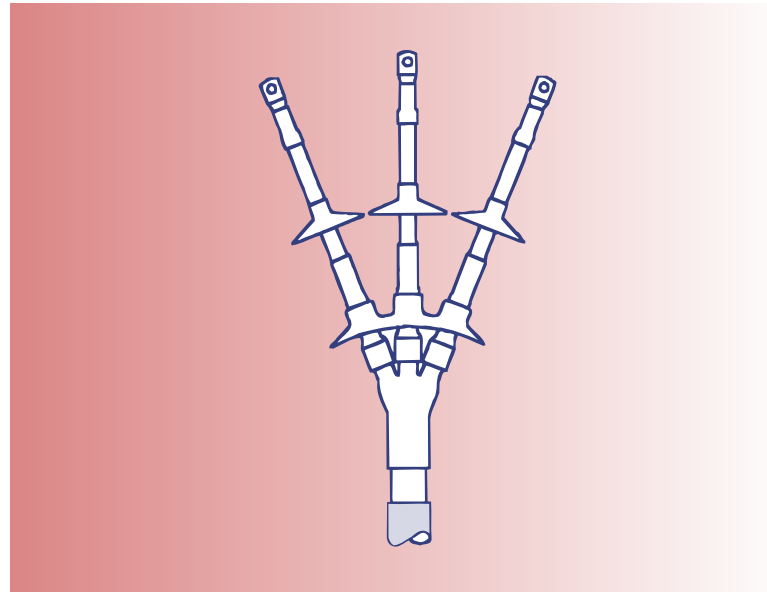
Standard Packaging – Three single core kits or one three core kit per box.

Medium Voltage Cable Terminations

Paper Cables to 17.5 kV

MVT... PB series terminations offer a quick and easy solution to terminating paper insulated (belted and screened) cables. Combining stress control and non-tracking heatshrink technology. There is no longer a need for lead wiping, compound filling and the use of hot oils.

HellermannTyton Paper Terminations are fully tested to HD629.2 S1



Part Number				Conductor size range mm ²	Standard Tail Lengths* (mm) for Single and 3 Core	
Single Core		3 Core			Indoor	Outdoor
Indoor	Outdoor	Indoor	Outdoor			
3.6 kV						
MVT03APB1A	MVT03APB1R	MVT03APB3A	MVT03APB3R	16 - 50	550	550
MVT03BPB1A	MVT03BPB1R	MVT03BPB3A	MVT03BPB3R	70 - 185		
MVT03CPB1A	MVT03CPB1R	MVT03CPB3A	MVT03CPB3R	185 - 300		
7.2 kV						
MVT07APB1A	MVT07APB1R	MVT07APB3A	MVT07APB3R	16 - 50	650	650
MVT07BPB1A	MVT07BPB1R	MVT07BPB3A	MVT07BPB3R	70 - 150		
MVT07CPB1A	MVT07CPB1R	MVT07CPB3A	MVT07CPB3R	185 - 400		
12 kV — 17.5 kV						
MVT12APB1A	MVT12APB1R	MVT12APB3A	MVT12APB3R	35 - 70	650	650
MVT12BPB1A	MVT12BPB1R	MVT12BPB3A	MVT12BPB3R	95 - 185		
MVT12CPB1A	MVT12CPB1R	MVT12CPB3A	MVT12CPB3R	240 - 400		
MVT12DPB1A	MVT12DPB1R	-	-	400 - 630		

* Other tail lengths can be supplied to order

See Page 2 for Part Number matrix.

Kits designed specifically for screened paper cables are also available.

Terminal lugs and armour earthing arrangements are not included in the kits.

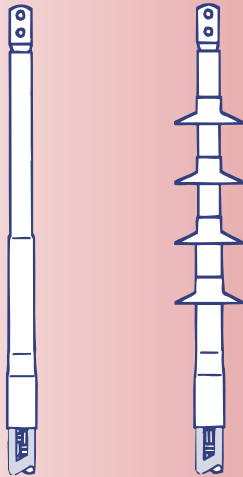
If solderless lead sheath earthing is required within the kit, add 'E' to the end of the Part Number.

For accessories see page 10 and 11.

Standard Packaging – Three single core kits or one three core kit per box.

Medium Voltage Cable Terminations

Single Core 7.2 kV — 36 kV



MVT... PL series terminations for single core cables offer excellent UV stability and non-tracking capability to efficiently terminate polymeric insulated screened cables in voltage classes 7.2 kV – 36 kV. They are suitable for all types of cable shielding in both armoured and un-armoured versions.

HellermannTyton PL terminations combine heatshrink technology to make a quick, efficient method of terminating polymeric insulated cables.

HellermannTyton Polymeric Terminations are independently tested to VDE 0278, IEC502 and IEEE48.

They are salt fog tested to VDE 0278 and IEEE4, and also pressure tested to IEEE48.

Part Number		Conductor size range mm ²	Standard Tail Lengths* (mm)	
Indoor	Outdoor		Indoor	Outdoor
7.2 kV				
MVT07APL1A	MVT07APL1R	16 - 35	400	400
MVT07BPL1A	MVT07BPL1R	50 - 120		
MVT07CPL1A	MVT07CPL1R	150 - 240		
MVT07DPL1A	MVT07DPL1R	300 - 400		
MVT07EPL1A	MVT07EPL1R	500 - 630		
12 kV — 17.5 kV				
MVT17APL1A	MVT17APL1R	25 - 70	400	400
MVT17BPL1A	MVT17BPL1R	95 - 185		
MVT17CPL1A	MVT17CPL1R	240 - 400		
MVT17DPL1A	MVT17DPL1R	500 - 630		
MVT17EPL1A	MVT17EPL1R	800 - 1000		
24 kV				
MVT24APL1A	MVT24APL1R	35 - 70	600	800
MVT24BPL1A	MVT24BPL1R	95 - 185		
MVT24CPL1A	MVT24CPL1R	240		
MVT24DPL1A	MVT24DPL1R	500 - 1000		
36 kV				
MVT36APL1A	MVT36APL1R	50 - 95	600	800
MVT36BPL1A	MVT36BPL1R	120 - 300		
MVT36CPL1A	MVT36CPL1R	400 - 630		
MVT36DPL1A	MVT36DPL1R	800 - 1000		

* Other tail lengths can be supplied to order

See Page 2 for Part Number matrix.

Terminal lugs and armour earthing arrangements are not included in the kits.

If solderless screen earthing is required within the kit, add 'E' to the end of the Part number

For accessories see page 10 and 11.

Standard Packaging – Three single core kits per box.

Medium Voltage Cable Terminations

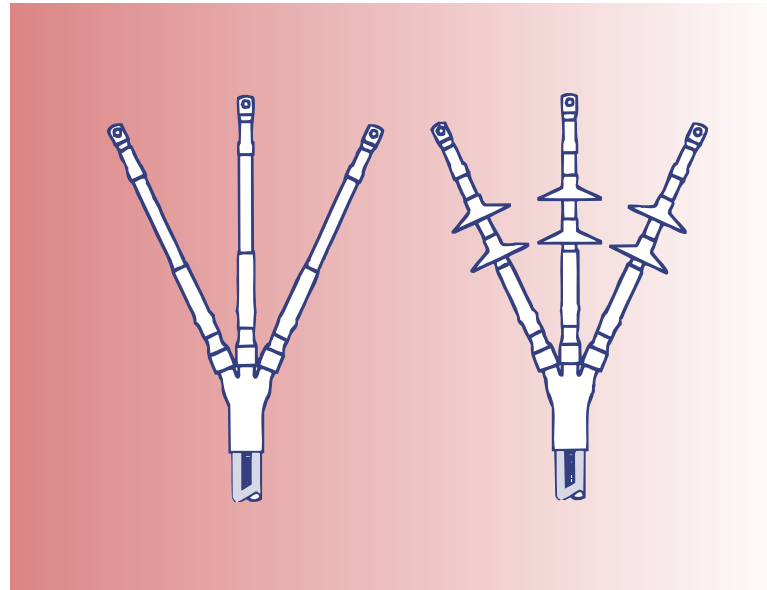
Three Core 7.2 kV — 36 kV

MVT... PL series terminations for three core cables offer excellent UV stability and non-tracking capability to efficiently terminate polymeric insulated screened cables in voltage classes 7.2 kV – 36 kV. They are suitable for all types of cable shielding in both armoured and un-armoured versions.

HellermannTyton PL terminations combine heatshrink technology to make a quick, efficient method of terminating polymeric insulated cables.

HellermannTyton Polymeric Terminations are independently tested to VDE 0278, IEC502 and IEEE48.

They are salt fog tested to VDE 0278 and IEEE4, and also pressure tested to IEEE48.



Part Number		Conductor size range mm ²	Standard Tail Lengths* (mm)	
Indoor	Outdoor		Indoor	Outdoor
7.2 kV				
MVT07APL3A	MVT07APL3R	16 - 35	650	650
MVT07BPL3A	MVT07BPL3R	50 - 120		
MVT07CPL3A	MVT07CPL3R	150 - 240		
MVT07DPL3A	MVT07DPL3R	240 - 400		
12 kV — 17.5 kV				
MVT17APL3A	MVT17APL3R	25 - 70	650	650
MVT17BPL3A	MVT17BPL3R	95 - 185		
MVT17CPL3A	MVT17CPL3R	240 - 400		
24 kV				
MVT24APL3A	MVT24APL3R	35 - 70	750	900
MVT24BPL3A	MVT24BPL3R	95 - 185		
MVT24CPL3A	MVT24CPL3R	240 - 400		
36 kV				
MVT36APL3A	MVT36APL3R	50 - 95	900	1200
MVT36BPL3A	MVT36BPL3R	120 - 400		

* Other tail lengths can be supplied to order

See Page 2 for Part Number matrix.

Terminal lugs and armour earthing arrangements are not included in the kits.

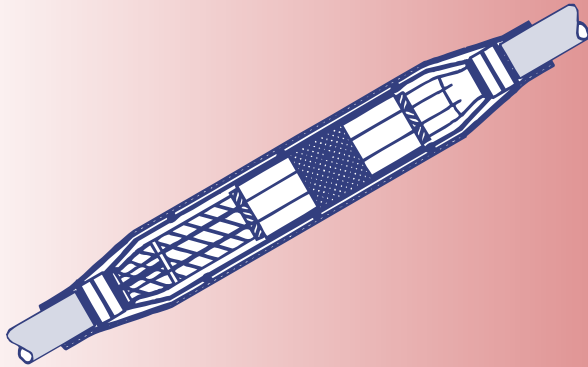
If solderless screen earthing is required within the kit, add 'E' to the end of the Part number

For accessories see page 10 and 11.

Standard Packaging – One three core kit per box.

Medium Voltage Joints

Heatshrink Three Core



Heatshrink jointing system for up to 24 kv three core power cables.

Featuring the following:

- Suitable for polymeric and paper cables and transition jointing.
- Simple and easy to install.
- Ferrule Insulation environmentally sealed.
- Suitable for mechanical and compression ferrules.
- Wraparound outer sealing sleeve for minimum installation space, also available.
- Strong wraparound metal cage provides armour continuity and maximum mechanical strength.

Independently tested to HD 629.1 S1:1996 & HD629.2 S1:1997.

Part Number		Example			
Medium Voltage Joint		MVJ			
A - Armoured		A			
U - Non-Armoured					
Voltage		12			
12 kV (Um) - 6.6 kV & 11 kV					
17 kV (Um) - 15 kV					
24kV (Um) - 20/22 kV					
Size Code	Range mm ²				B
	6.6 kV	11 kV	15 kV	22 kV	
A	35 - 120	35 - 70	25 - 50	25	
B	120 - 240	95 - 185	70 - 150	35 - 95	
C	240 - 400	185 - 400	150 - 300	95 - 240	
Joint Type		PL			
PL - Polymeric to Polymeric					
PB - Paper to Paper					
TR - Transition					
TT - Trifurcating Transition Three Core Paper to Three Single Core Polymeric					
Number of Cores		3			
3 - Three Core to Three Core and Trifurcating Transition					

Ferrules are not included within the kit, but are available to order.

Standard packaging - one complete jointing kit per box.

Medium Voltage Joints

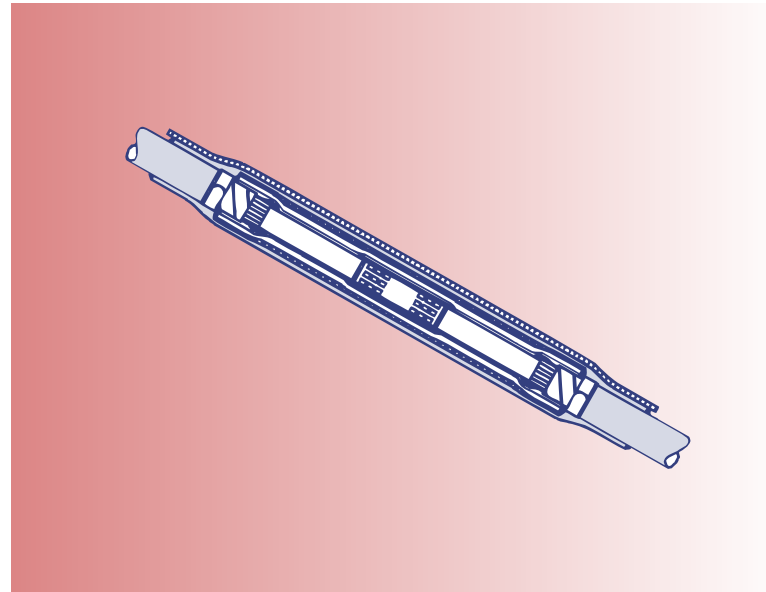
Heatshrink Single Core

Heatshrink jointing system for power cables up to 24 kV single core.

Featuring the following:

- Suitable for polymeric and paper cables and transition jointing.
- Simple and easy to install.
- Suitable for mechanical or compression ferrules.
- Ferrule Insulation environmentally sealed.
- Wraparound outer sealing sleeve for maximum mechanical strength and minimum installation space, also available.

Independently tested to HD629.1 S1 and HD629.2 S1.



Part Number		Example			
Medium Voltage Joint		MVJ			
A - Armoured		U			
U - Non-Armoured					
Voltage		12			
12 kV (Um) - 6.6 kV & 11 kV					
17 kV (Um) - 15 kV					
24kV (Um) - 20/22 kV					
Size Code	Range mm ²				B
	6.6 kV	11 kV	15 kV	22 kV	
A	35 - 120	35 - 70	25 - 50	25	
B	120 - 240	95 - 185	70 - 150	35 - 95	
C	240 - 400	185 - 400	150 - 300	95 - 240	
D	500 - 630	500 - 630	300 - 500	300 - 500	
Joint Type		PL			
PL - Polymeric to Polymeric					
PB - Paper to Paper					
TR - Transition					
Number of Cores		1			
1 - Single Core to Single Core					

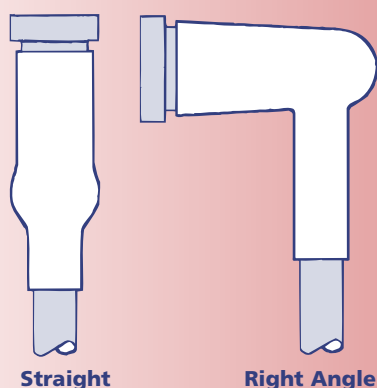
3.3 kV Non-shielded Joints are also available to order.

Ferrules are not included within the kit, but are available to order.

Standard packaging – One complete jointing kit per box.

Medium Voltage

Termination Accessories

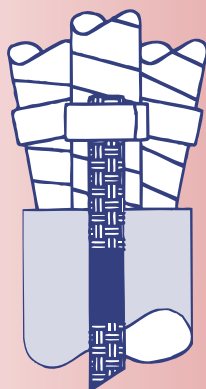


Bushing Boot Kits

Bushing Boot Kits comprise a set of 3 straight or right angle boots with sufficient medium voltage mastic to cover the bushing nuts.

They have been successfully impulse tested to 95 kVp.

Part No.	Style	Conductor Size Range (mm ²)
MVA17AA3S	Straight	16 - 35
MVA17A3S	Straight	50 - 400
MVA17AA3T	Right Angle	16 - 35
MVA17A3T	Right Angle	50 - 400



Solderless Screen Earthing Kit

Solderless Screen Earthing Kits are for earthing the copper screen layer within polymeric insulated cables. The kits consist of three constant force springs and three solder blocked earth braids.

Part No.		Diameter Over Screen (mm)	Conductor Range (mm ²)				
1 Core System	3 Core System		7.2 kV	12 kV	17.5 kV	24 kV	36 kV
MVAA1CSE	MVAA3CSE	12 - 20	16 - 70	16 - 50	16 - 25	-	-
MVAB1CSE	MVAB3CSE	18 - 25	95 - 150	70 - 150	35 - 95	25 - 70	-
MVAC1CSE	MVAC3CSE	23 - 33	185 - 300	185 - 300	120 - 240	95 - 185	25 - 70
MVAD1CSE	MVAD3CSE	31 - 43	400 - 630	400 - 630	300 - 500	240 - 500	95 - 300
MVAE1CSE	MVAE3CSE	41 - 60	800 - 1000	800 - 1000	630 - 1000	630 - 1000	400 - 1000

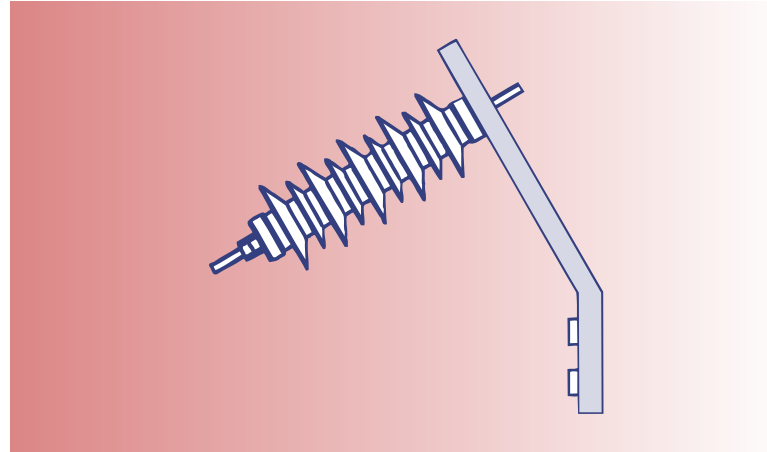
Stand-off Insulators

Stand-off Insulators for voltage maximums (Um) 17.5 kV, 24 kV and 36 kV.

Each kit contains three stand off insulators.

To support terminations and insulators a range of long and short brackets are available.

They are fully tested in accordance with IEC 383 and IEC 1109.



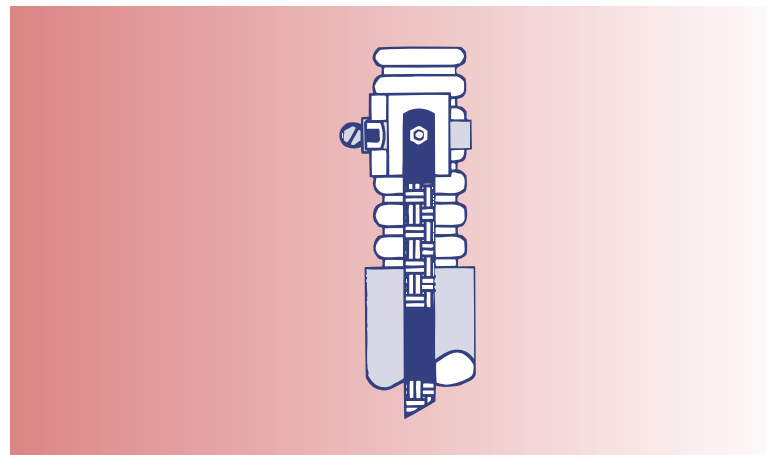
Part No.	Voltage kV (Um)	Creepage Path (mm)	Impulse Withstand Dry (kVp)
MVA12SOI	17.5	465	125
MVA24SOI	24	615	150
MVA36SOI	36	845	220

Sheath Earth Connector

Sheath Earth Connectors provide a simple and effective method of earthing lead or aluminium sheaths of PILC and PICAS 11 kV cables.

They are fully tested and compliant to C93.

Short Circuit Rating — PICAS 13.1 kA for 3 seconds
 — PILC 6 kA for 3 seconds



Part No.	Cable Size (mm ²)
MVA12ASEC	Up to 185
MVA12BSEC	240-300

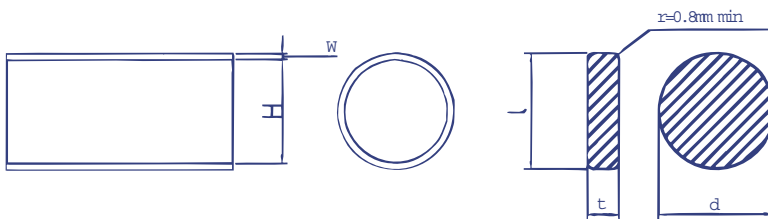
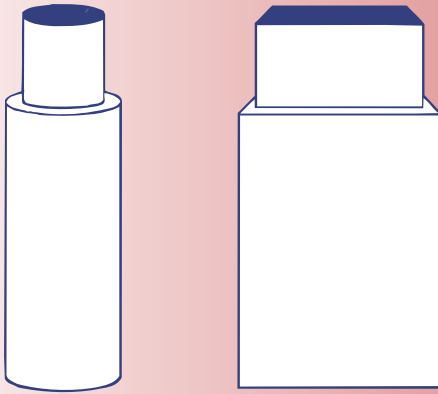
Medium Voltage

Busbar Insulating Tubing

TBIM – Medium Wall

TBIT – Heavy Wall

Busbar heatshrink tubes are suitable for flat or round, straight or set busbars. They are very flexible allowing them to be quickly installed. Each size will fit a range of busbar sizes. They are also ideal for protection against accidental bridging caused by birds and animals.



TBIM — Medium Wall

Part No.	Dimensions			Application Range	
	H		W	l + t	d
	a	b	b	(min - max)	(min - max)
TBIM15-06	15	6	2.0	11 - 20	6.5 - 13
TBIM30-12	30	12	2.3	21 - 38	13 - 25
TBIM50-20	50	20	2.5	35 - 62	22 - 40
TBIM75-30	75	30	2.5	52 - 94	33 - 60
TBIM100-40	100	40	2.5	70 - 125	44 - 80
TBIM120-50	120	50	3.0	88 - 170	55 - 110

*All dimensions in mm

TBIT — Thick Wall

Part No.	Dimensions			Application Range	
	H		W	l + t	d
	a	b	b	(min - max)	(min - max)
TBIT25-10	25	10	4	17 - 30	11 - 20
TBIT40-16	40	16	4	28 - 47	18 - 30
TBIT65-25	65	25	4	44 - 69	28 - 48
TBIT100-40	100	40	4	69 - 110	44 - 75

*All dimensions in mm

a-as supplied

b-after full recovery

Standard packaging 25 metre reels.

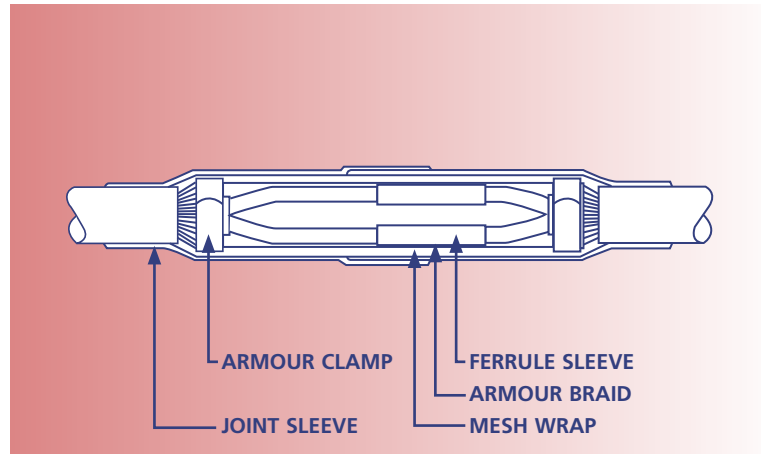
Low Voltage Kits

Heatshrink LV 4 Core Joints

LV Heatshrink Through Joints and Terminations are designed for both Polymeric and Paper cables, and Transition Jointing.

HellermannTyton Heatshrink technology makes a quick, efficient and clean method of jointing cables.

Hellermann Joint and Termination Kits are suitable for voltages up to 1kV and comply with CENELEC Standard HD 623.



JOINT KITS contain re-insulation sleeves and heavy wall tubes to re-instate the cable sheath. Earth bonding components and metal mesh are supplied to restore the cables armour.

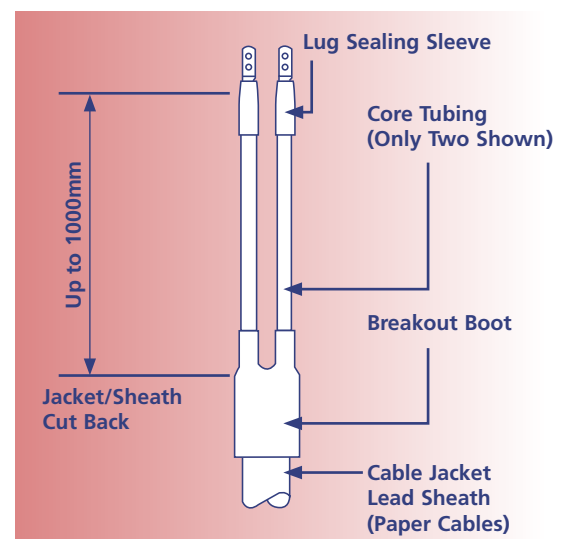
4 Core Armoured Cable Part Number	Conductor Range mm ²
LVJA1.5-4PL4	1.5 - 4
LVJA6-16PL4	6 - 16
LVJA25-50PL4	25 - 50
LVJA70-150PL4	70 - 150
LVJA185-300PL4	185 - 300

Also available Paper and Transition Joints, and Joints for Non-Armoured cables. Breakout Boots and Oil Barrier Tubes are provided to seal the cable crotch where paper cables are involved.

A range of Termination & Live Pot End Kits are also available for Polymeric and Paper cables.

Kits contain a cable breakout boot, lug sealing sleeves and phase insulation sleeves sufficient for 1 metre tails.

Also available Armour and/or Lead Sheath Earthing kits.



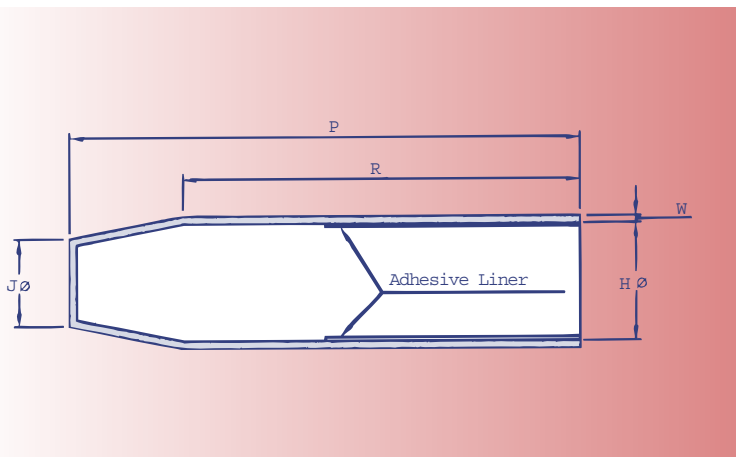
Low Voltage Moulded Parts

Heatshrink End Caps

HellermannTyton end caps are used to seal cables during storage or transportation. They can also be used as an insulating cap for live LV cables. A lining of hot melt adhesive provides an excellent environmental seal.

They are suitable for use on paper and polymeric insulated or lead jacketed cables, which may include aluminium or steel armouring.

Conforms to EA-TS 09-11.



Part No.	Exp'd (Min)	Fully recovered dimensions (Max)					For Cable Dia's
	H	H	J	P ± 10%	R ± 10%	W ± 10%	
1612-1	10.0	4.0	3.0	33.5	30.0	2.0	4-8
1618-1	14.0	6.0	5.0	55.3	50.0	2.3	6-11
1613-1	20.0	7.5	6.5	55.3	50.0	2.3	8-16
1619-1	20.0	9.0	8.0	75.0	72.0	3.0	9-16
1601-1	23.8	9.4	7.4	88.9	85.5	2.0	9-19
1614-1	40.0	15.0	10.5	90.0	80.0	3.0	15-32
1620-1	35.0	12.7	10.0	184.1	179.0	3.3	13-28
1615-1	63.0	25.0	16.0	143.3	130.0	3.3	25-50
1615-2	55.0	25.0	16.0	143.3	130.0	3.3	25-44
1617-1	76.0	30.0	17.0	158.0	150.0	4.0	30-60
1616-1	100.0	45.0	26.0	162.5	140.0	4.0	45-80
1616-7	125.0	45.0	26.0	162.5	140.0	4.0	45-100
1608-1	158.7	63.5	27.0	127.0	105.5	3.3	70-135
1607-1	158.7	63.5	27.0	182.0	160.0	4.0	70-135

*All dimensions in mm

End caps with the exception of 1612 and 1618 can be fitted with air valves for certain pressurised cable applications. To order end caps with valves insert a V after the material reference code e.g. 1615-1-B8VW2.

Standard Material - B8 Semi-rigid flame retarded polyolefin.

Standard Adhesive - W or W2 80°C Hot Melt.

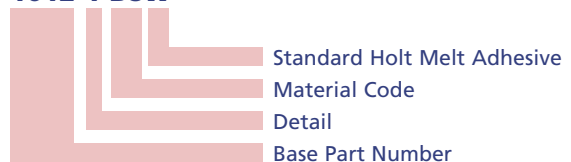
Live cable end seal kits.

Can be made to customers' requirements to suit all types of LV cable constructions.

They provide insulation between phases and ground. The outer end seal is marked with lightning flashes to indicate a live circuit.

Ordering Example

1612-1-B8W



Low Voltage Moulded Parts

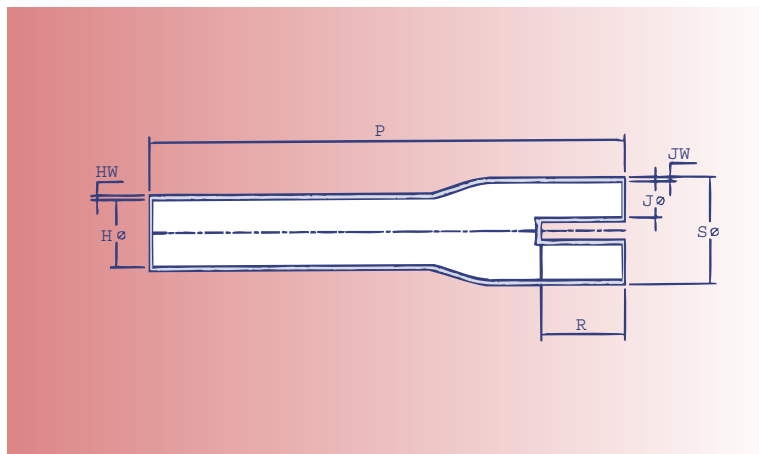
Heatshrink Cable Breakouts

HellermannTyton cable breakouts are designed for the insulating and sealing of cable crutches and provide resistance to abrasion and weathering.

They are manufactured from tough cross-linked polyolefin. They provide mechanical protection and strain relief.

A lining of hot melt adhesive provides an excellent environmental seal.

Conforms to EA-TS 09-11.



Type	Part No.	Expanded (Min)		Fully recovered dimensions (Max)							Approx Conductor Size (mm ²)
		H	J	H	J	P ± 10%	R ± 10%	S (nom)	HW ± 10%	JW ± 10%	
2 Core	216-1	21.0	9.0	9.4	2.8	76.5	20.0	15.0	1.6	1.6	2.5 - 10
	223-1	30.0	15.0	9.4	4.1	94.0	30.0	20.0	1.5	1.2	4 - 35
	217-1	31.0	15.0	15.2	4.3	99.5	28.5	19.0	2.2	2.2	25 - 50
	218-1	50.0	21.0	22.9	7.6	119.0	34.0	30.0	3.2	3.2	50 - 150
	219-1	87.0	43.0	38.1	12.7	141.5	42.5	44.0	3.8	3.8	185 - 400
3 Core	318-1	25.0	9.0	9.1	3.0	76.5	20.0	16.0	2.5	2.5	4 - 16
	319-1	31.0	15.0	17.5	4.6	93.5	28.5	23.0	2.9	2.9	16 - 35
	320-1	55.8	30.4	22.5	9.0	180.0	44.0	37.0	3.0	2.0	50 - 150
	328-1	43.2	20.8	22.9	7.6	99.0	34.0	36.0	3.8	3.8	50 - 150
	316-2	72.0	37.0	35.0	17.5	178.0	38.0	55.0	4.0	3.0	150 - 240
	324-1	90.0	35.0	34.0	14.0	200.0	50.0	54.0	3.0	2.0	150 - 300
	342-1	110.0	40.0	35.0	17.5	230.0	45.0	55.0	4.0	3.5	150 - 400
	341-1	125.0	50.8	59.0	25.4	283.0	71.0	75.0	3.8	3.8	400
4 Core	442-1	28.0	9.0	9.0	1.8	78.0	17.0	20.0	2.7	2.0	2.5 - 10
	408-2	35.0	15.0	12.0	3.0	95.0	24.0	22.0	2.5	2.0	4 - 35
	409-2	47.4	21.5	22.9	6.4	165.1	38.1	38.1	4.1	3.3	35 - 70
	436-1	45.0	20.0	24.9	7.1	99.0	34.0	39.0	4.5	4.5	35 - 70
	418-4	60.0	30.0	22.9	6.4	202.0	38.1	38.1	4.1	3.3	35 - 120
	409-4	60.0	30.0	27.0	8.0	165.1	38.1	48.1	4.1	3.3	70 - 120
	444-1	78.7	38.1	35.6	12.5	240.0	55.0	50.8	4.0	3.5	120 - 300
	444-2	95.0	48.0	35.6	12.5	240.0	55.0	50.8	4.0	3.5	120 - 400
5 Core	508-1	60.0	30.0	24.5	7.5	180.0	30.0	48.0	3.5	3.0	35 - 185
6 Core	609-1	30.0	8.2	16.0	4.0	75.0	20.0	25.0	2.5	1.5	4 - 35
	609-2	40.0	12.0	16.0	4.0	75.0	20.0	25.0	2.5	1.5	4 - 70
	608-1	60.7	20.3	36.8	8.9	137.2	50.8	50.0	2.5	2.5	70 - 120

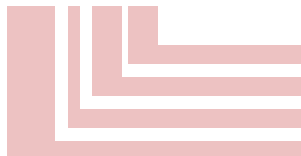
*All dimensions in mm unless otherwise stated

Standard Material - B8 Semi-rigid flame retarded polyolefin.

Standard Adhesive - W or W2 80°C Hot Melt.

Ordering Example

408-2-B8W2

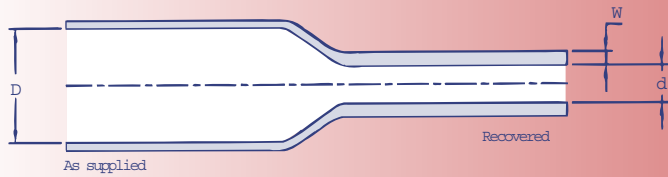


Standard Hot Melt Adhesive
Material Code
Detail
Base Part Number

Low Voltage Heatshrink Tubing

Energy Medium & Heavy Wall

Medium and heavy wall cross-linked polyolefin heatshrink tubing for the Electrical Supply and Contracting Industry. Tested and compliant to EA-TS 09-11.



Part Number	Bore as supplied Minimum	Bore recovered Maximum	Wall thickness fully recovered nominal
	D	d	W
EMWA — Energy Medium Wall Adhesive Lined Tubing			
EMWA12-3	12.0	3.0	1.5
EMWA19-6	19.0	6.0	1.5
EMWA30-8	30.0	8.0	2.0
EMWA38-12	38.0	12.0	2.0
EMWA50-16	50.0	16.0	2.0
EMWA63-19	63.0	19.0	2.5
EMWA75-22	75.0	22.0	3.0
EMWA95-30	95.0	30.0	3.3
EMWA115-40	115.0	40.0	3.3
EMWA140-42	140.0	42.0	3.5
EHWA — Energy Heavy Wall Adhesive Lined Tubing			
EHWA9-3	9.0	3.0	1.8
EHWA19-6	19.0	6.0	2.4
EHWA33-8	33.0	8.0	3.0
EHWA45-12	45.0	12.0	4.1
EHWA51-16	51.0	16.0	4.1
EMWA68-22	68.0	22.0	4.1
EHWA85-26	85.0	26.0	4.1
EHWA105-30	105.0	30.0	4.1
EHWA130-36	130.0	36.0	4.2
EHWA160-50	160.0	50.0	4.5
EHWA185-50	185.0	50.0	4.5

*All dimensions in mm

Also available without adhesive on reels – when ordering delete the 'A' from Part Number.

Standard length of adhesive coated products is 1, 1.2 & 1.5 metres, other cut lengths are available to order.

Standard colour: Black
Shrink Ratio up to 4:1

Ordering Example

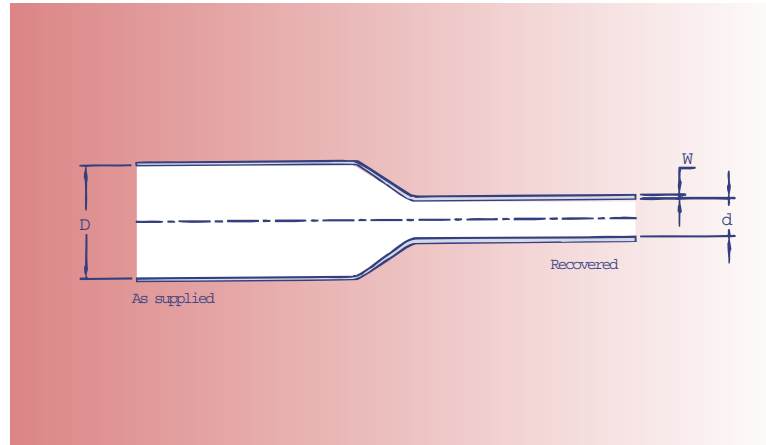
EMWA12-3



Low Voltage Heatshrink Tubing

Energy Thin Wall

Thin wall cross-linked polyolefin heatshrink tubing for the Electrical Supply and Contracting Industry.
Tested and compliant to EA-TS 09-11.



Part Number	Bore as supplied Minimum	Bore recovered Maximum	Wall thickness fully recovered nominal
	D	d	W
ETW – Energy Thin Wall Tubing 2:1			
ETW32	3.2	1.6	0.50
ETW48	4.8	2.4	0.50
ETW64	6.4	3.2	0.60
ETW95	9.5	4.8	0.60
ETW127	12.7	6.4	0.60
ETW190	19.0	9.5	0.80
ETW254	25.4	12.7	0.90
ETW318	31.8	15.9	1.00
ETW381	38.1	19.0	1.00
ETW508	50.8	25.4	1.10
ETW760	76.0	38.0	1.30
ETW1020	102.0	51.0	1.40
ETW – Energy Thin Wall Tubing 3:1			
ETW3-1	3.0	1.0	0.55
ETW6-2	6.0	2.0	0.64
ETW9-3	9.0	3.0	0.75
ETW12-4	12.0	4.0	0.75
ETW18-6	18.0	6.0	0.75
ETW24-8	24.0	8.0	1.00
ETW39-13	39.0	13.0	1.15
ETWA – Energy Thin Wall Adhesive Lined Tubing 3:1			
ETWA3-1	3.0	1.0	1.0
ETWA6-2	6.0	2.0	1.0
ETWA9-3	9.0	3.0	1.4
ETWA12-4	12.0	4.0	1.8
ETWA19-6	19.0	6.0	2.2
ETWA24-8	24.0	8.0	2.5
ETWA39-13	39.0	13.0	2.5

*All dimensions in mm

Ordering Example

ETW64BK

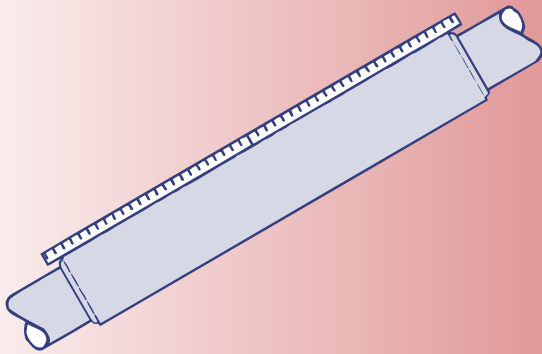


Supplied on reels or as cut lengths.

Standard colours: Black (BK), Red (RD), Yellow (YW), Blue (BE), Green-Yellow (GN-YW) and Transparent (TT), with the exception of ETWA which is supplied in black only.

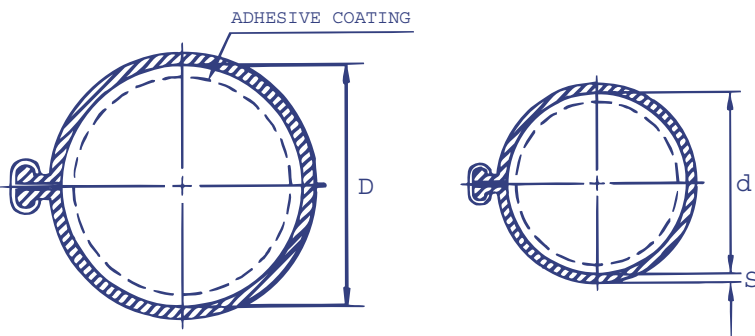
Wraparound Sleeve

Cable Repair Sleeve



Cable Repair Sleeves, WRS are easily applied utilising a stainless steel rail system fitted over a raised profile. Manufactured from cross-linked polyolefin, which equals or exceeds the properties of the original cable jacket.

Environmental sealing is achieved with an internal coating of hot melt adhesive.



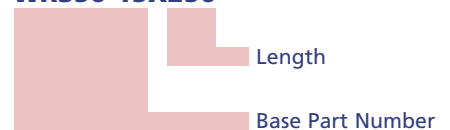
Base Part No.	Expanded Diameter D	Fully Recovered		Application Range Diameter	Standard Length
		Diameter d	Wall thickness S		
WRS40-12	40	12	3.0	13-25	250,500,750,1000,1500
WRS50-15	50	15	3.0	17-30	250,500,750,1000,1500
WRS75-22	75	22	3.0	25-40	500,750,1000,1500
WRS105-30	105	30	3.0	35-55	1000,1500
WRS146-38	146	38	3.0	45-75	1000,1500
WRS188-55	188	55	3.0	62-95	1000,1500

*All dimensions in mm

Other sizes available upon request.

Ordering Example

WRS50-15X250



Medium Voltage Terminations

HellermannTyton Medium Voltage Terminations are tested in accordance with VDE0278(HD629.1S1) and IEC502 for polymeric insulation and HD629.2S1 for paper insulation cables.

Test Description	Hellermann Product Code and System Voltages			
	MVT15.PL 17.5 kV (Um)	MVT24.PL 24 kV (Um)	MVT36.PL 36 kV (Um)	MVT12.PB 12 kV (Um)
DC Withstand 15 min (kV)	52	76	114	38
AC Withstand Dry 5 min (kV)	39	57	85	28.5
AC Withstand Wet 1 min (kV)	35	51	76	25.5
Partial Discharge <10pc (kV)	15	22	33	-
Impulse Voltage (kVp)	95	125	194	95
Heat Cycling Air (kV)	23	32	47.5	9.5
Salt Fog 1000 hr (kV)	11	16	24	8

Medium Voltage Joints

HellermannTyton Medium Voltage Joints are tested in accordance with HD629.1S1 for polymeric insulation, and HD629.2S1 for paper insulation cables and transition joints.

Test Description	Hellermann Product Code and System Voltage		
	MVJ.12.PL. 12 kV (Um)	MVJ.12.PB. 12 kV (Um)	MVJ.24.PL. 24 kV (Um)
DC Withstand 15 min (kV)	38 - ve	38 - ve	100 - ve
AC Withstand 5 min (kV)	28.5	28.5	52
Partial Discharge <10pC (kV)	11	-	22
Impulse Voltage (kVp)	95	95	150
Heat Cycling Air & Water (kV)	16	9.5	42.3

Low Voltage Products to EA-TS 09-11

Properties	Typical Results	Test Method
Continuous operating temperature	-55°C to +110°C	-
Tensile Strength	15 MPa	IEC 540
Ultimate Elongation	400%	IEC 540
Heat Shock	No Damage	ASTM D2671
Dielectric Strength	15 kV/mm	ASTM D2671
Water Absorption	<0.1%	ASTM D570
Flammability	Self Extinguishing	ASTM D635

All HellermannTyton moulded shapes and heatshrink tubing meet or exceed these requirements.

