

## 180AR-1 /-2 /-3 INTERFACE A EQUIPMENT BUSHING

Up to 24 kV - 250 A

### Application

For use in equipment insulated with oil fluid, typically for transformers, switch gear, capacitors...

### Specifications and standards

The plug-in type equipment bushings 180AR-X meet the requirements of CENELEC EN 50180 and IEC 137.

### Technical characteristics

Each bushing is tested for AC withstand and partial discharge prior to leaving the factory.

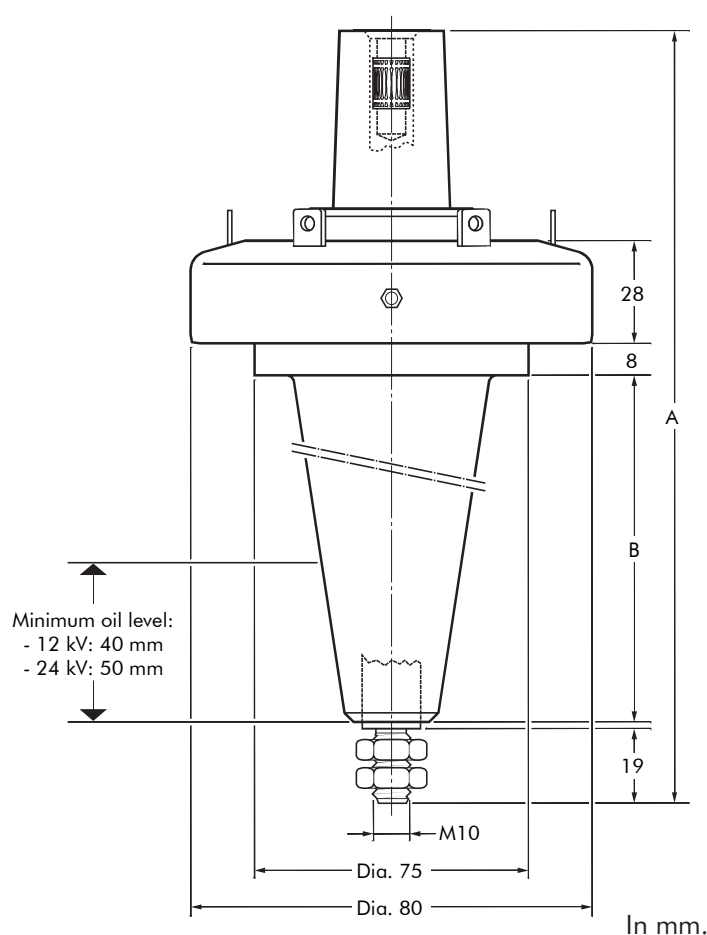
6/10 (12) kV  
6.35/11 (12) kV  
8.7/15 (17.5) kV  
12/20 (24) kV  
12.7/22 (24) kV

### Design

- The equipment bushing is a moulded epoxy insulated part in accordance with CENELEC EN 50180.  
The 180AR-2 bushing has a length B outside this standard.
- The standard bushings, (K)180AR-1 /-2 /-3, are equipped with 6 tabs for the bail restraint.
- The (K)180AR-1-G and (K)180AR-3-G are equipped with 4 tabs and 2 threaded inserts M6x1 (-G version).

### Ordering instructions

To order the equipment bushing, specify the type. The bushings are supplied with an earth lead (/J) or an earth plate (/GS). This earth connection must be specified when ordering.



Equipment bushing type	Voltage $U_r$ (kV)	Current $I_r$ (A)	Dimensions (mm)	
			A	B
180AR-1	12	250	222	106
K180AR-1	24	250	222	106
180AR-2	12	250	284	168
K180AR-2	24	250	284	168
180AR-3	12	250	171	55
K180AR-3	24	250	171	55