

# Line End Clamp CE7

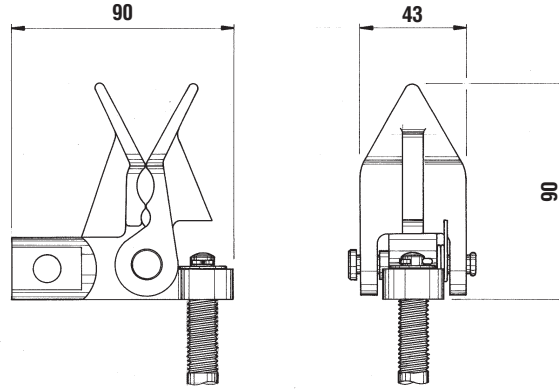


THORNE AND DERRICK UK – LEAK DETECTION  
 TEL: 0044 (0)191 490 1547 FAX: 0044 (0)191 477 5371  
 TEL: 0044 (0)117 977 4647 FAX: 0044 (0)117 477 5582  
 WWW.HEATTRACING.CO.UK  
 WWW.THORNEANDDERRICK.CO.UK  
 e-mail: northsales@thorneandderrick.co.uk



## Code CE7

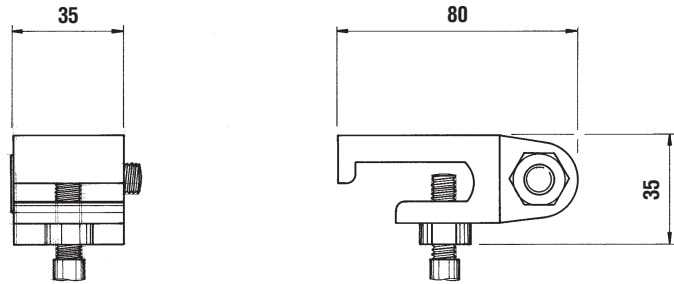
For 4.2mm to 19.5mm dia conductors



# Earth End Clamp CE8

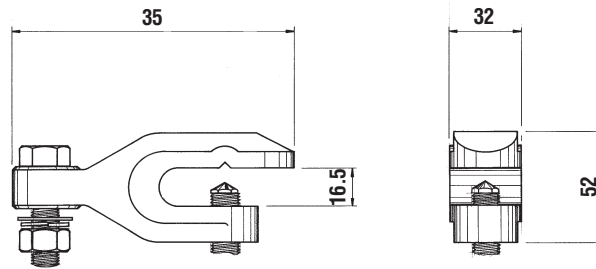
## Code CE8

For flat bars 38mm wide x 6.35mm thick  
 (suitable for steel cross arm straps).



# Earth End Clamp CE10

## Code CE10

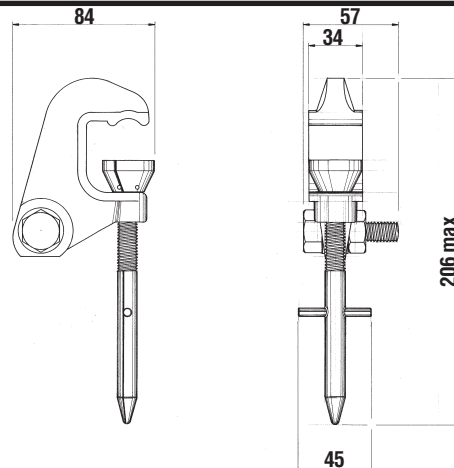


# Line End Clamp C12

## Code CE12

For 20mm thick bars and up to 15mm diameter round conductors.

**Tested to 17.5kA for 2 seconds.**



All sizes are in Millimetres