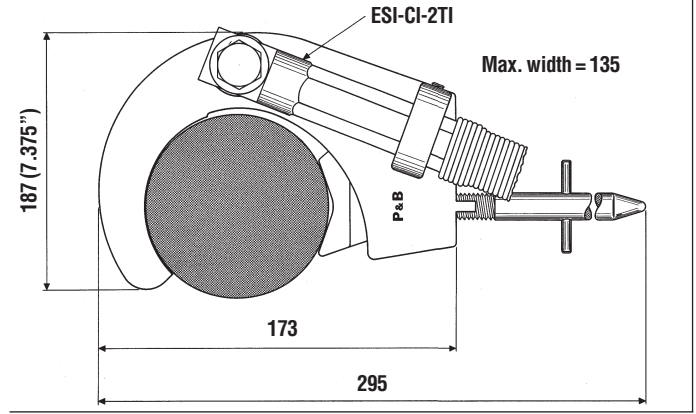


Line End Clamp CE15

Code CE15

For 90mm diameter conductors.
 Provision for attachment of two flexible leads.

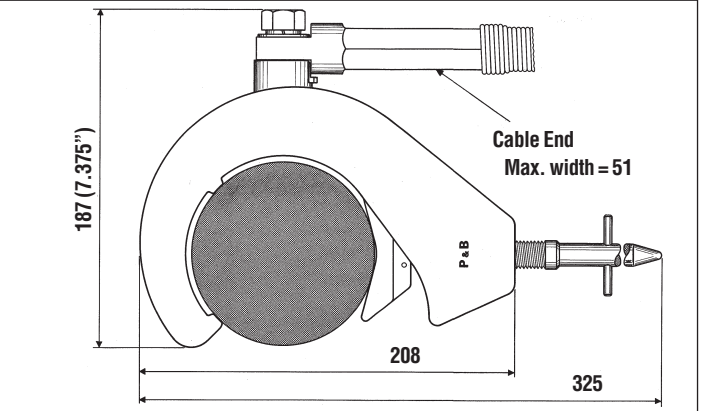


Line End Clamp CE27

Code CE27

For 101.6mm diameter conductors.

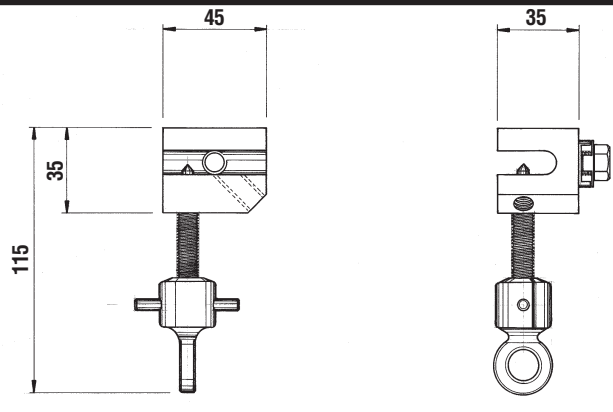
Tested to 17.5kA for 2 seconds.



Earth End Clamp For Pole Operation CE29

Code CE29

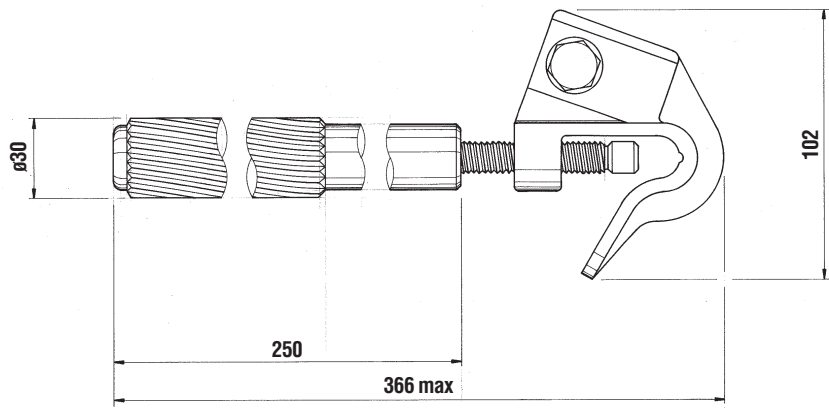
Suitable for cross arm straps



Line End Clamp CE33

Code CE33

For 4.7mm to 15mm conductors.
 L.V. Line shorting and by-pass jumper connector.



All sizes are in Millimetres