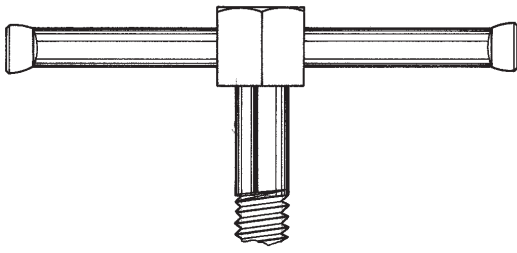


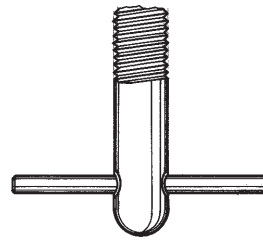
Tommy Bar type Screw TB

Hand Operating Screw HCP

Code TB

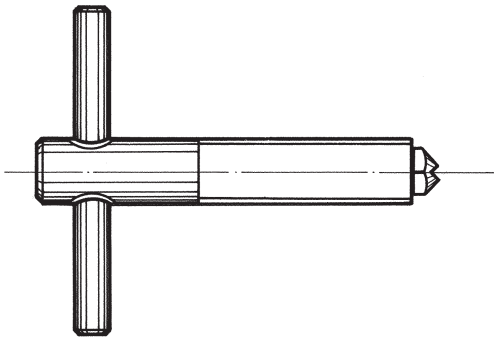


Code HCP

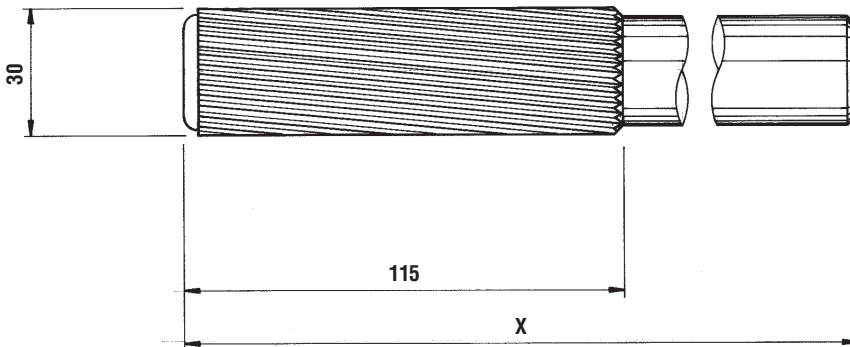


Thumb Screw TS

Code TS



Insulated Handles



Code SH or LH

Available in Colours Grey, Red, Orange & Yellow.

Available lengths

SH = 115

LH = 250 or 350



THORNE AND DERRICK UK – LEAK DETECTION

TEL: 0044 (0)191 490 1547 FAX: 0044 (0)191 477 5371

TEL: 0044 (0)117 977 4647 FAX: 0044 (0)117 477 5582

WWW.HEATTRACING.CO.UK

WWW.THORNEANDDERRICK.CO.UK

e-mail: northernsales@thorneandderrick.co.uk

All sizes are in Millimetres