



Copper



Tinned

Furse earth bars are an efficient and convenient way of providing a common earth point, and integral disconnecting links allow easy isolation for testing purposes.

Standard Furse earth bars are available in a variety of lengths, but all consist of a 50 mm wide by 6 mm thick copper bar with M10 termination screws - standard product codes are provided on pages 109-111.

Standard features and benefits

- The plastic channel base is entirely corrosion proof - made from high impact uPVC unlike the traditional galvanized steel channel
- Lighter and easier to handle - the use of a modern polymer channel has reduced the weight of the products, making them easier to handle
- Pre-drilled fixing holes for ease of installation
- A range of four designs to meet most installation requirements
- Swan-Neck accessory, to facilitate the main earth bar connection
- **New** now available with tinned finish

Special earth bar requirements

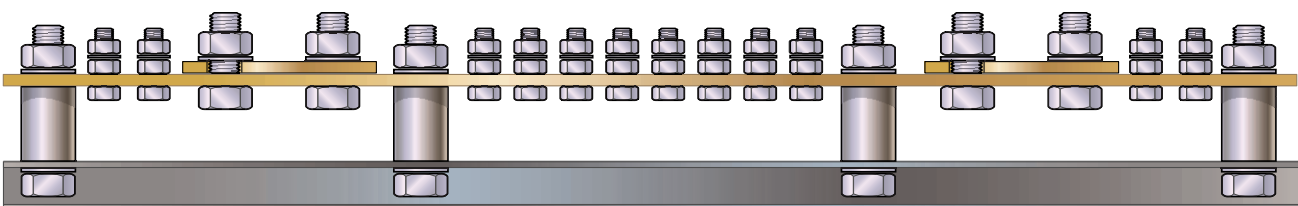
Standard earth bars meet the majority of applications, however where a customer has a specific requirement, we can design and manufacture special earth bars and disconnecting links as appropriate.

Special earth bar designs are provided for customer review and approval as required before manufacture.

For more information please contact your local Furse sales office.

Special earth bar design variables include:

- Size and type of bolt, hex nut and washer
- Length, width and thickness of earth bar
- Number of disconnecting links, and their position
- Number of insulators
- Supplied with mounting base or without



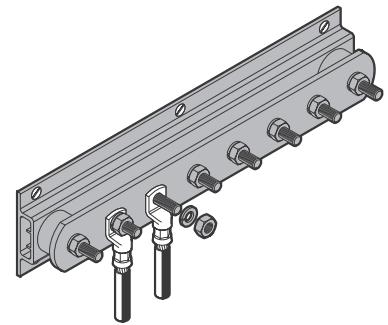
WWW.CABLEJOINTS.CO.UK
THORNE & DERRICK UK
 TEL 0044 191 490 1547 FAX 0044 477 5371
 TEL 0044 117 977 4647 FAX 0044 977 5582





Earth bar

| Description | Length | Weight each | Part No. |
|-------------------------|---------|-------------|----------|
| Copper earth bar | | | |
| 6 way | 400 mm | 1.80 kg | LK245-6 |
| 8 way | 500 mm | 2.20 kg | LK245-8 |
| 10 way | 650 mm | 2.80 kg | LK245-10 |
| 12 way | 750 mm | 3.20 kg | LK245-12 |
| 14 way | 850 mm | 3.60 kg | LK245-14 |
| 16 way | 950 mm | 4.00 kg | LK245-16 |
| 18 way | 1050 mm | 4.40 kg | LK245-18 |
| 20 way | 1200 mm | 5.00 kg | LK245-20 |
| 22 way | 1300 mm | 5.40 kg | LK245-22 |
| 24 way | 1400 mm | 5.80 kg | LK245-24 |
| 26 way | 1500 mm | 6.20 kg | LK245-26 |
| 28 way | 1650 mm | 6.90 kg | LK245-28 |
| 30 way | 1750 mm | 7.30 kg | LK245-30 |



LK245-6

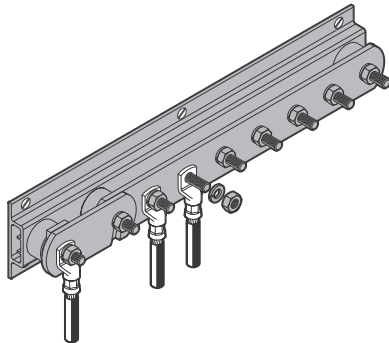
| Tinned copper earth bar | | | | |
|--------------------------------|---------|---------|------------|-----|
| 6 way | 400 mm | 1.80 kg | LK245-6-T | NEW |
| 8 way | 500 mm | 2.20 kg | LK245-8-T | NEW |
| 10 way | 650 mm | 2.80 kg | LK245-10-T | NEW |
| 12 way | 750 mm | 3.20 kg | LK245-12-T | NEW |
| 14 way | 850 mm | 3.60 kg | LK245-14-T | NEW |
| 16 way | 950 mm | 4.00 kg | LK245-16-T | NEW |
| 18 way | 1050 mm | 4.40 kg | LK245-18-T | NEW |
| 20 way | 1200 mm | 5.00 kg | LK245-20-T | NEW |
| 22 way | 1300 mm | 5.40 kg | LK245-22-T | NEW |
| 24 way | 1400 mm | 5.80 kg | LK245-24-T | NEW |
| 26 way | 1500 mm | 6.20 kg | LK245-26-T | NEW |
| 28 way | 1650 mm | 6.90 kg | LK245-28-T | NEW |
| 30 way | 1750 mm | 7.30 kg | LK245-30-T | NEW |

Standard width x height: 90 mm x 90 mm



Fix using countersunk wood screws 1½" No. 12 (Part no. SW110) and wall plugs (Part no. PS310)

Earth bar with single disconnecting link



LK243-6

| Description | Length | Weight each | Part No. |
|-------------------------|---------|-------------|----------|
| Copper earth bar | | | |
| 6 way | 475 mm | 2.30 kg | LK243-6 |
| 8 way | 575 mm | 2.70 kg | LK243-8 |
| 10 way | 725 mm | 3.30 kg | LK243-10 |
| 12 way | 825 mm | 3.70 kg | LK243-12 |
| 14 way | 925 mm | 4.10 kg | LK243-14 |
| 16 way | 1025 mm | 4.50 kg | LK243-16 |
| 18 way | 1125 mm | 4.90 kg | LK243-18 |
| 20 way | 1275 mm | 5.50 kg | LK243-20 |
| 22 way | 1375 mm | 5.90 kg | LK243-22 |
| 24 way | 1475 mm | 6.30 kg | LK243-24 |
| 26 way | 1575 mm | 6.70 kg | LK243-26 |
| 28 way | 1725 mm | 7.40 kg | LK243-28 |
| 30 way | 1825 mm | 7.80 kg | LK243-30 |

Tinned copper earth bar

| | | | | |
|------------|--------|---------|---------|------------|
| NEW | 6 way | 475 mm | 2.30 kg | LK243-6-T |
| NEW | 8 way | 575 mm | 2.70 kg | LK243-8-T |
| NEW | 10 way | 725 mm | 3.30 kg | LK243-10-T |
| NEW | 12 way | 825 mm | 3.70 kg | LK243-12-T |
| NEW | 14 way | 925 mm | 4.10 kg | LK243-14-T |
| NEW | 16 way | 1025 mm | 4.50 kg | LK243-16-T |
| NEW | 18 way | 1125 mm | 4.90 kg | LK243-18-T |
| NEW | 20 way | 1275 mm | 5.50 kg | LK243-20-T |
| NEW | 22 way | 1375 mm | 5.90 kg | LK243-22-T |
| NEW | 24 way | 1475 mm | 6.30 kg | LK243-24-T |
| NEW | 26 way | 1575 mm | 6.70 kg | LK243-26-T |
| NEW | 28 way | 1725 mm | 7.40 kg | LK243-28-T |
| NEW | 30 way | 1825 mm | 7.80 kg | LK243-30-T |

Standard width x height: 90 mm x 96 mm

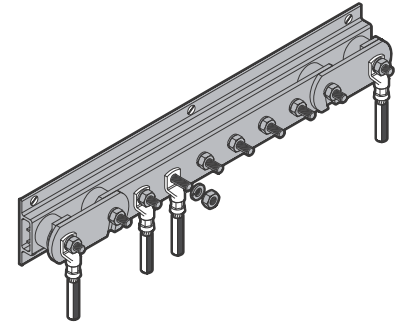


Fix using countersunk wood screws 1½" No. 12 (Part no. **SW110**) and wall plugs (Part no. **PS310**)



Earth bar with twin disconnecting link

| Description | Length | Weight each | Part No. |
|-------------------------|---------|-------------|----------|
| Copper earth bar | | | |
| 6 way | 550 mm | 2.80 kg | LK207-6 |
| 8 way | 650 mm | 3.20 kg | LK207-8 |
| 10 way | 800 mm | 3.80 kg | LK207-10 |
| 12 way | 900 mm | 4.20 kg | LK207-12 |
| 14 way | 1000 mm | 4.60 kg | LK207-14 |
| 16 way | 1100 mm | 5.00 kg | LK207-16 |
| 18 way | 1200 mm | 5.40 kg | LK207-18 |
| 20 way | 1350 mm | 6.00 kg | LK207-20 |
| 22 way | 1450 mm | 6.40 kg | LK207-22 |
| 24 way | 1550 mm | 6.80 kg | LK207-24 |
| 26 way | 1650 mm | 7.20 kg | LK207-26 |
| 28 way | 1800 mm | 7.90 kg | LK207-28 |
| 30 way | 1900 mm | 8.30 kg | LK207-30 |



LK207-6

| Tinned copper earth bar | | | | |
|--------------------------------|---------|---------|------------|------------|
| 6 way | 550 mm | 2.80 kg | LK207-6-T | NEW |
| 8 way | 650 mm | 3.20 kg | LK207-8-T | NEW |
| 10 way | 800 mm | 3.80 kg | LK207-10-T | NEW |
| 12 way | 900 mm | 4.20 kg | LK207-12-T | NEW |
| 14 way | 1000 mm | 4.60 kg | LK207-14-T | NEW |
| 16 way | 1100 mm | 5.00 kg | LK207-16-T | NEW |
| 18 way | 1200 mm | 5.40 kg | LK207-18-T | NEW |
| 20 way | 1350 mm | 6.00 kg | LK207-20-T | NEW |
| 22 way | 1450 mm | 6.40 kg | LK207-22-T | NEW |
| 24 way | 1550 mm | 6.80 kg | LK207-24-T | NEW |
| 26 way | 1650 mm | 7.20 kg | LK207-26-T | NEW |
| 28 way | 1800 mm | 7.90 kg | LK207-28-T | NEW |
| 30 way | 1900 mm | 8.30 kg | LK207-30-T | NEW |

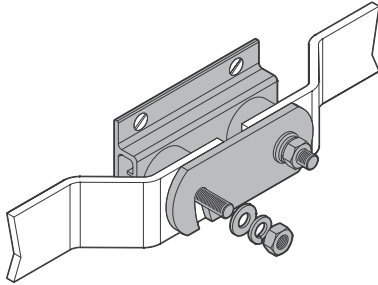
Standard width x height: 90 mm x 96 mm



Fix using countersunk wood screws 1½" No. 12 (Part no. SW110) and wall plugs (Part no. PS310)

Earth bars and insulators

Earth bar accessories



LK205

| Description | Length | Width | Height | Weight each | Part No. |
|--------------------------------|--------|-------|--------|-------------|----------|
| Copper earth bar | | | | | |
| Swan-neck link | 400 mm | 50 mm | 36 mm | 0.42 kg | LK004 |
| Disconnecting link | 125 mm | 90 mm | 90 mm | 0.59 kg | LK205 |
| Tinned copper earth bar | | | | | |
| NEW Swan-neck link | 400 mm | 50 mm | 36 mm | 0.42 kg | LK004-T |
| NEW Disconnecting link | 125 mm | 90 mm | 90 mm | 0.59 kg | LK205-T |

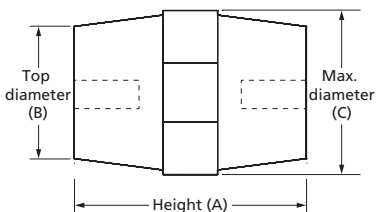
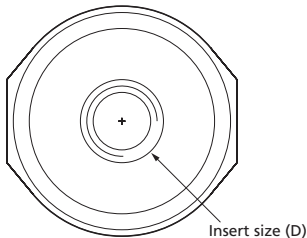


Fix using countersunk wood screws 1½" No. 12 (Part no. SW110) and wall plugs (Part no. PS310)

Insulator



IN013



| Height (A) | Top Diameter (B) | Maximum diameter (C) | Insert size (D) | For copper bar size | Part No. |
|--|------------------|----------------------|-----------------|---------------------|----------|
| Insulator | | | | | |
| NEW 20 mm | 14 mm | 18 mm | M6 | 25 x 3 mm | IN020 |
| NEW 30 mm | 25 mm | 33 mm | M6 | 25 x 6 mm | IN030 |
| NEW 40 mm | 31 mm | 39 mm | M8 | 38 x 6 mm | IN040 |
| 50 mm | 27 mm | 35 mm | M10 | 50 x 6 mm | IN013 |
| NEW 60 mm | 38 mm | 52 mm | M10 | 75 x 6 mm | IN060 |
| NEW 70 mm | 51 mm | 55 mm | M12 | 100 x 6 mm | IN070 |
| Insulator with 2 studs and 3 nuts | | | | | |
| 50 mm | 27 mm | 35 mm | M10 | 50 x 6 mm | IN005 |

Insulator manufactured from grey GRP material with brass insert.



WWW.CABLEJOINTS.CO.UK
THORNE & DERRICK UK
 TEL 0044 191 490 1547 FAX 0044 477 5371
 TEL 0044 117 977 4647 FAX 0044 977 5582

