

# LIGHTING FIXTURES FOR FLUORESCENT TUBE LAMPS

Explosion Proof Electrical Equipment

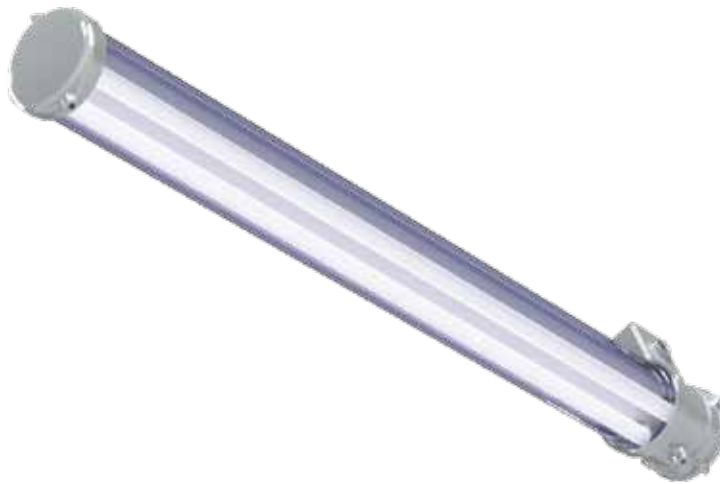


Ex Lighting

EVFP-EVFG

**Installation:** hazardous areas - Zone 1 / 2 (Gases) - Zone 21 / 22 (Dusts)  
**Classification:** Group II - Category 2G 2D

## EVFP-EVFG



GOST-R  
RTR Ex Proof



	LIGHTING FIXTURES			
	ATEX 94/9/EC	IEC Ex	GOST-R (RTR / RTN)	GOST-K
<b>EXECUTION</b>	<ul style="list-style-type: none"> <li>⊗ II 2 G Ex db eb IIC T6</li> <li>⊗ II 2 D Ex tb IIIC T85°C</li> </ul>	<ul style="list-style-type: none"> <li>II 2 G Ex db eb IIC T6</li> <li>II 2 D Ex tb IIIC T85°C</li> </ul>	<ul style="list-style-type: none"> <li>1Ex d IIC T6</li> <li>DIP A21 TA (85)°C</li> </ul>	<ul style="list-style-type: none"> <li>1Ex d IIC T6</li> <li>DIP A21 TA (85)°C</li> </ul>
<b>INSTALLATION</b>	ZONE 1 / 2 - ZONE 21 / 22	ZONE 1 / 2 - ZONE 21 / 22	ZONE 1 / 2 - ZONE 21 / 22	ZONE 1 / 2 - ZONE 21 / 22
<b>PROTECTION DEGREE</b>	IP66	IP66	IP66	IP66
<b>CERTIFICATE REF.</b>	-	-	-	-
<b>RULES OF COMPLIANCE</b>	<ul style="list-style-type: none"> <li>EN 60079-0:2009;</li> <li>EN 60079-1:2007;</li> <li>EN 60079-7:2008;</li> <li>EN 60079-31:2009</li> </ul>	<ul style="list-style-type: none"> <li>IEC 60079-0:2007-10;</li> <li>IEC 60079-1:2007-04;</li> <li>IEC 60079-7:2006-07;</li> <li>IEC 61242-31:2008-11</li> </ul>	<ul style="list-style-type: none"> <li>ГОСТ P 51330.9-99 (МЭК 60079-10-95)</li> <li>ГОСТ P 51330.13-99 (МЭК 60079-14-96)</li> <li>ГОСТ P МЭК 61241-3-99</li> </ul>	<ul style="list-style-type: none"> <li>ГОСТ P 51330.0 / 1 / 8 / 14-99</li> <li>ГОСТ P МЭК 61241-1-1-2002</li> </ul>

### Mechanical characteristics

Body	marine grade copper free aluminium (control gear & emergency unit)
Tubes	high-temperature resistant borosilicate glass tube (EVFG)
	high-temperature resistant polycarbonate tube (EVFP)
Painting	external epoxy powders grey RAL-9006 colour
Screws	external stainless steel
Gaskets	NBR rubber
Reflectors	white stove enamelled sheet steel
Cable entry	M20 size threaded

### Electrical characteristics

Power Supply	Electronic Ballast 110V/260V - 50/60Hz (P.F.Corrected - Cos P ≥ 0,98)
Lampholders	Bi-Pin G13 Cap
Internal Wiring	105° C Resistant Silicon Rubber Insulation Cables
Terminals	Suitable Up To 4Mm/Sq Cables
Emergency Unit	Emergency Unit With Autonomy From 90 Min.

### ON REQUEST ACCESSORIES:

- Pole mounting kit complete with stainless steel hardware
- Ceiling mounting kit complete with stainless steel hardware
- Pendant mounting kit complete with stainless steel hardware
- Wal/Structure mounting kit complete with stainless steel hardware
- External painting colour on request
- Electronic ballast with voltage supply different than standard
- Ni-Cd Battery pack 7A/h 6V for Emergency Unit with Autonomy more than 150min.
- Lighting fixtures in execution Ex db.

## EVFP-EVFG Technical data

CODE	LAMP	TEMPERATURE CLASS (GAS)	TEMPERATURE CLASS (DUSTS)	LAMPHOLDER	CABLE ENTRY	EMERGENCY UNIT	AUTONOMY	DETAIL
------	------	-------------------------	---------------------------	------------	-------------	----------------	----------	--------

### FLUORESCENT LIGHTING FIXTURES FOR SINGLE AND TWIN LAMPS - POWER SUPPLY 110V / 260V - 50/60Hz

EVF*118	1 x 18W	T6	T 85°C	G13	2 x M20	-	-	A
EVF*136	1 x 36W	T6	T 85°C	G13	2 x M20	-	-	A
EVF*158	1 x 58W	T6	T 85°C	G13	2 x M20	-	-	A
EVF*218	2 x 18W	T6	T 85°C	G13	2 x M20	-	-	A
EVF*236	2 x 36W	T6	T 85°C	G13	2 x M20	-	-	A
EVF*258	2 x 58W	T6	T 85°C	G13	2 x M20	-	-	A

### EMERGENCY FLUORESCENT LIGHTING FIXTURES FOR SINGLE AND TWIN LAMPS - POWER SUPPLY 110V / 260V - 50/60Hz

EVF*E118	1 x 18W	T6	T 85°C	G13	1 x M20	4.8 V - 4Ah	90 min.	A
EVF*E136	1 x 36W	T6	T 85°C	G13	1 x M20	4.8 V - 4Ah	90 min.	A
EVF*E158	1 x 58W	T6	T 85°C	G13	1 x M20	4.8 V - 4Ah	90 min.	A
EVF*E218	2 x 18W	T6	T 85°C	G13	1 x M20	4.8 V - 4Ah	90 min.	A
EVF*E236	2 x 36W	T6	T 85°C	G13	1 x M20	4.8 V - 4Ah	90 min.	A
EVF*E258	2 x 58W	T6	T 85°C	G13	1 x M20	4.8 V - 4Ah	90 min.	A

\*G borosilicate glass – P polycarbonate

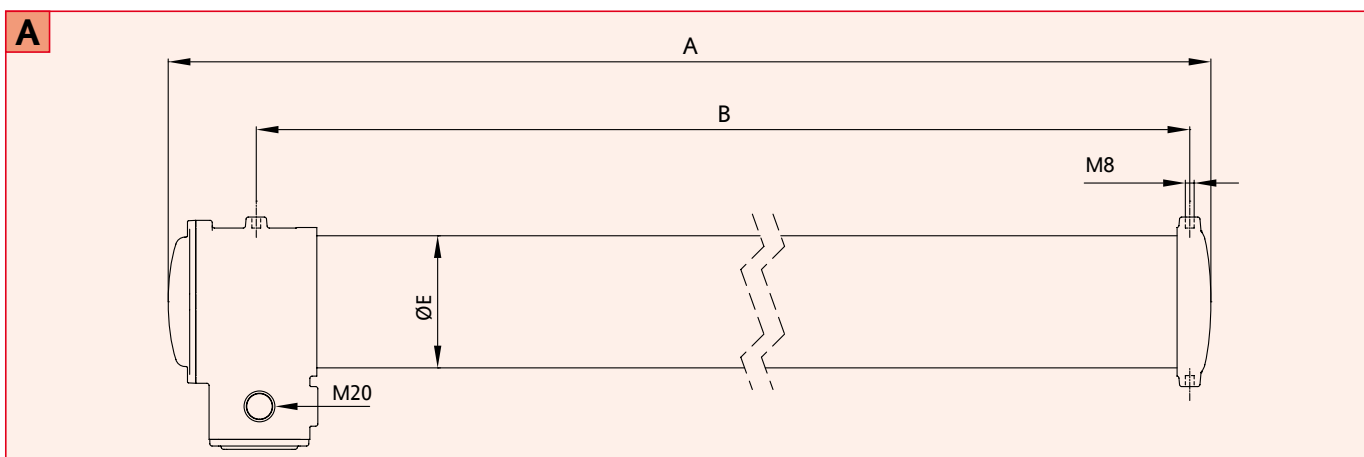
## EVFP-EVFG Technical features

CODE	A [mm]	B [mm]	C [mm]	D [mm]	ØE [mm]	WEIGHT [Kg]	CABLE ENTRY	DETAIL
EVF*118	750	640	210	134	120	6,00	2 x M20	A
EVF*136	1350	1240	210	134	120	8,00	2 x M20	A
EVF*158	1660	1550	210	134	120	10,00	2 x M20	A
EVF*218	750	640	210	134	120	6,20	2 x M20	A
EVF*236	1350	1240	210	134	120	9,00	2 x M20	A
EVF*258	1660	1550	210	134	120	12,00	2 x M20	A

CODE	A [mm]	B [mm]	C [mm]	D [mm]	ØE [mm]	WEIGHT [Kg]	CABLE ENTRY	DETAIL
EVF*E118	750	640	210	134	120	6,50	1 x M20	A
EVF*E136	1350	1240	210	134	120	8,50	1 x M20	A
EVF*E158	1660	1550	210	134	120	10,50	1 x M20	A
EVF*E218	750	640	210	134	120	7,00	1 x M20	A
EVF*E236	1350	1240	210	134	120	10,00	1 x M20	A
EVF*E258	1660	1550	210	134	120	13,00	1 x M20	A

\*G borosilicate glass – P polycarbonate

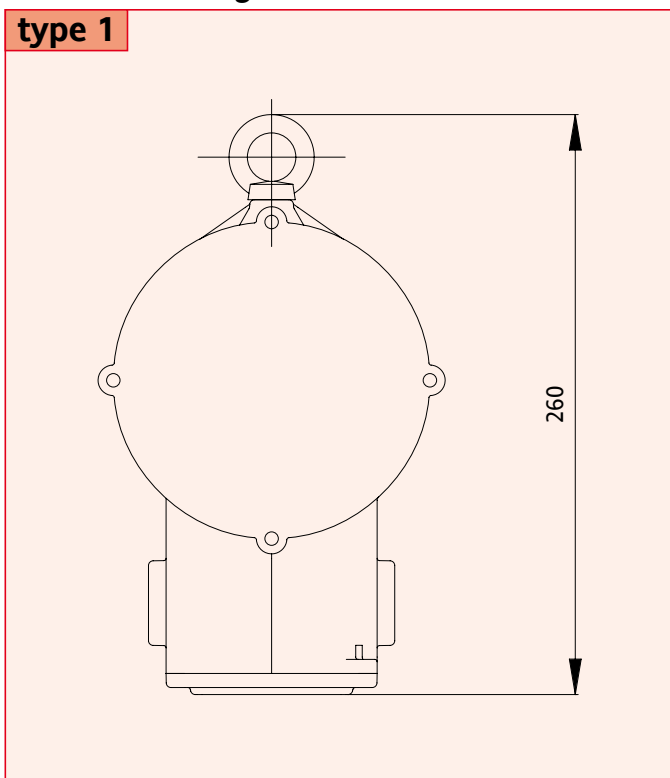
### Reference details



# EVFP-EVFG Installation and mounting details

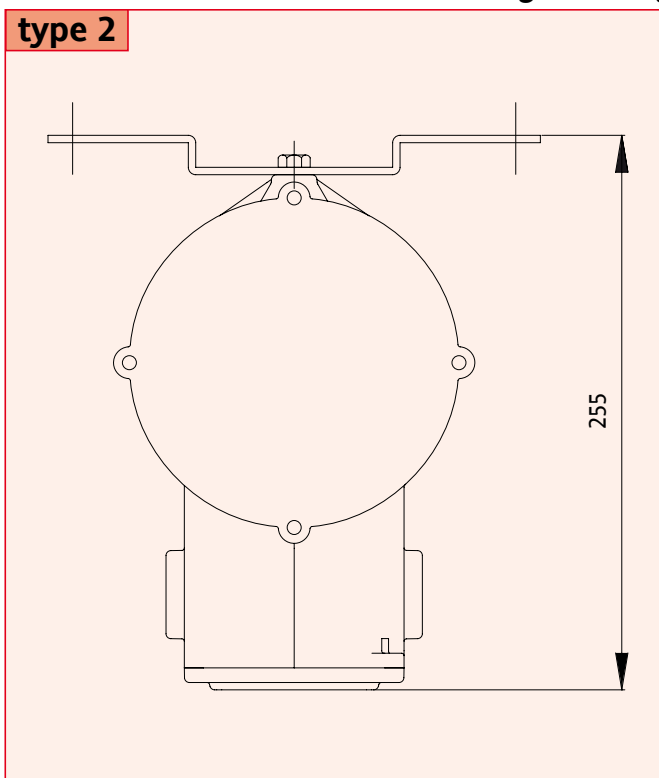
## Pendant mounting

type 1



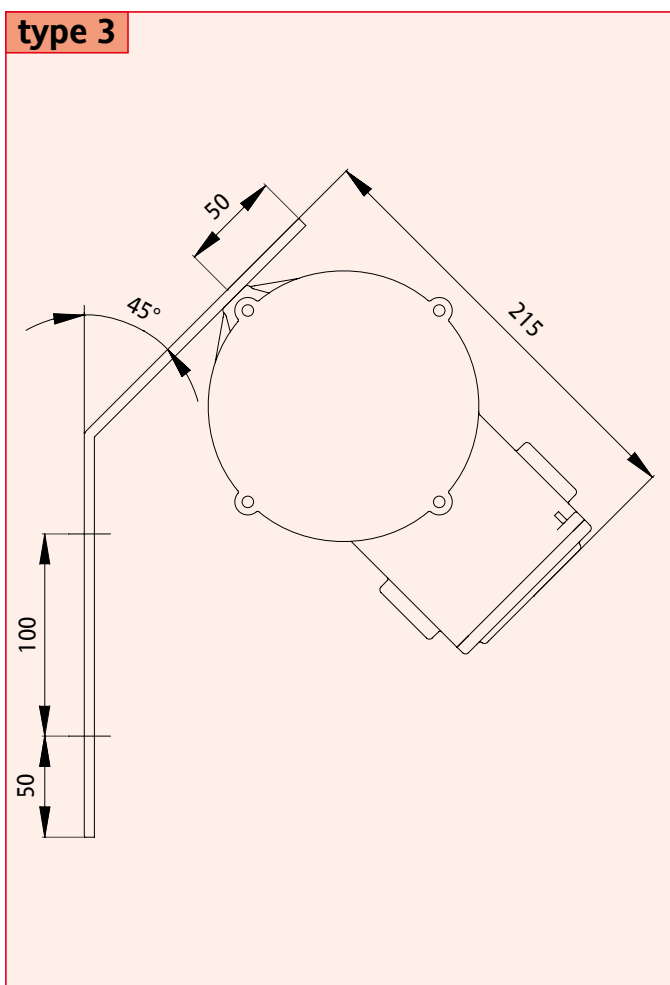
## Ceiling mounting

type 2



## Wall/structure mounting

type 3



## Pole mounting Assemblig detail with pole (typical)

type 4

