

INCREASED SAFETY LIGHTING FIXTURES FOR BI-PIN FLUORESCENT LAMPS

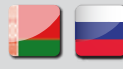
Explosion Proof Electrical Equipment



Ex Lighting

Installation: hazardous areas - Zone 1 / 2 (Gases) - Zone 21 / 22 (Dusts)
Classification: Group II - Category 2G 2D

AVC



	LIGHTING FIXTURE			
	ATEX 94/9/EC	IEC Ex	INMETRO	GOST-R
EXECUTION	⊕ II 2 G Ex d e q IIC T4 Gb ⊕ II 2 D Ex tb IIIC T80°C Db	Ex d e q IIC T4 Gb Ex tb IIIC T80°C Db	Ex d e q IIC T4 Gb Ex tb IIIC T80°C Db	Ex d e q IIC T4 Gb X Ex tb IIIC T80°C Db
AMBIENT TEMPERATURE	-20°C ÷ +60°C	-20°C ÷ +60°C	-20°C ÷ +60°C	-40°C ÷ +55°C
PROTECTION DEGREE	IP66	IP66	IP66	IP66
CERTIFICATE REF.	LCIE 12 ATEX 3050X	-	-	POCC IT. ME92.B02923
RULES OF COMPLIANCE	IEC 60079-0 Ed.6; EN 60079-1:2007; EN 60079-5:2007; EN 60079-07:2007; EN 60079-31:2009;	IEC 60079-0; IEC 60079-1; IEC 60079-31; IEC 60079-5; IEC 60079-7;	ABNT NBR IEC 60079-0; ABNT NBR IEC 60079-1; ABNT NBR IEC 60079-31; ABNT NBR IEC 60079-5; ABNT NBR IEC 60079-7;	ГОСТ Р МЭК 60079-0:2011; ГОСТ Р МЭК 61241-0:2007; ГОСТ Р МЭК 61241-1:2004;

	EMERGENCY UNIT			
	ATEX 94/9/EC	IEC Ex	INMETRO	GOST-R
EXECUTION	⊕ II 2 G Ex d e q IIC T4 Gb ⊕ II 2 D Ex tb IIIC T80°C Db	Ex d e q IIC T4 Gb Ex tb IIIC T80°C Db	Ex d e q IIC T4 Gb Ex tb IIIC T80°C Db	Ex d e q IIC T4 Gb X Ex tb IIIC T80°C Db
AMBIENT TEMPERATURE	-20°C ÷ +60°C	-20°C ÷ +60°C	-20°C ÷ +60°C	-40°C ÷ +55°C
PROTECTION DEGREE	IP66	IP66	IP66	IP66
CERTIFICATE REF.	LCIE 12 ATEX 3050X	-	-	POCC IT. ME92.B02923
RULES OF COMPLIANCE	IEC 60079-0 Ed.6; EN 60079-1:2007; EN 60079-5:2007; EN 60079-07:2007; EN 60079-31:2009;	IEC 60079-0; IEC 60079-1; IEC 60079-31; IEC 60079-5; IEC 60079-7;	ABNT NBR IEC 60079-0; ABNT NBR IEC 60079-1; ABNT NBR IEC 60079-31; ABNT NBR IEC 60079-5; ABNT NBR IEC 60079-7;	ГОСТ Р МЭК 60079-0:2011; ГОСТ Р МЭК 61241-0:2007; ГОСТ Р МЭК 61241-1:2004;

Mechanical characteristics

Body	glass fibre reinforced polyester resin self-extinguishing acc. to UL94
Diffuser	U/V resistant polycarbonate - hinged to body
Safety closing	operated by hexagonal key
Gaskets	EPDM 60 rubber suitable for high temperatures and resistant to environments conditions
Internal reflector	white stove enamelled sheet aluminum
Cable entry	ISO-Metric complete with cable glands and plug

Electrical characteristics

Power supply	electronic ballast 96...254V AC 50/60Hz (cos ρ ≥ 0,95)
Lampholders	bi-pin G13 cap
Internal wiring	high-temperature resistant silicon rubber insulation cables
Terminals	suitable up to 4 sq/mm cables
Safety feature	with protections against over charge and over discharge

ON REQUEST ACCESSORIES:

- Pole mounting kit complete with stainless steel hardware
- Ceiling mounting kit complete with stainless steel hardware
- Pendant mounting kit complete with stainless steel hardware
- Wall/Structure mounting kit complete with stainless steel hardware
- Electronic ballast with voltage supply different than standard
- Voltage different than standard

AVC Technical data

CODE	LAMP	TEMPERATURE CLASS (GAS)	TEMPERATURE CLASS (DUSTS)	LAMPHOLDER	CABLE ENTRY	EMERGENCY UNIT	AUTONOMY	DETAIL
------	------	-------------------------	---------------------------	------------	-------------	----------------	----------	--------

FLUORESCENT LIGHTING FIXTURES FOR SINGLE AND TWIN LAMPS - POWER SUPPLY 96...254V AC 50/60Hz

AVC 118	1 x 18W	T4	T 80°C	G13	4 x M25 x 1,5	-	-	A
AVC 136	1 x 36W	T4	T 80°C	G13	4 x M25 x 1,5	-	-	A
AVC 218	2 x 18W	T4	T 80°C	G13	4 x M25 x 1,5	-	-	A
AVC 236	2 x 36W	T4	T 80°C	G13	4 x M25 x 1,5	-	-	A

EMERGENCY FLUORESCENT LIGHTING FIXTURES FOR SINGLE AND TWIN LAMPS - POWER SUPPLY 230/240V AC 50/60Hz

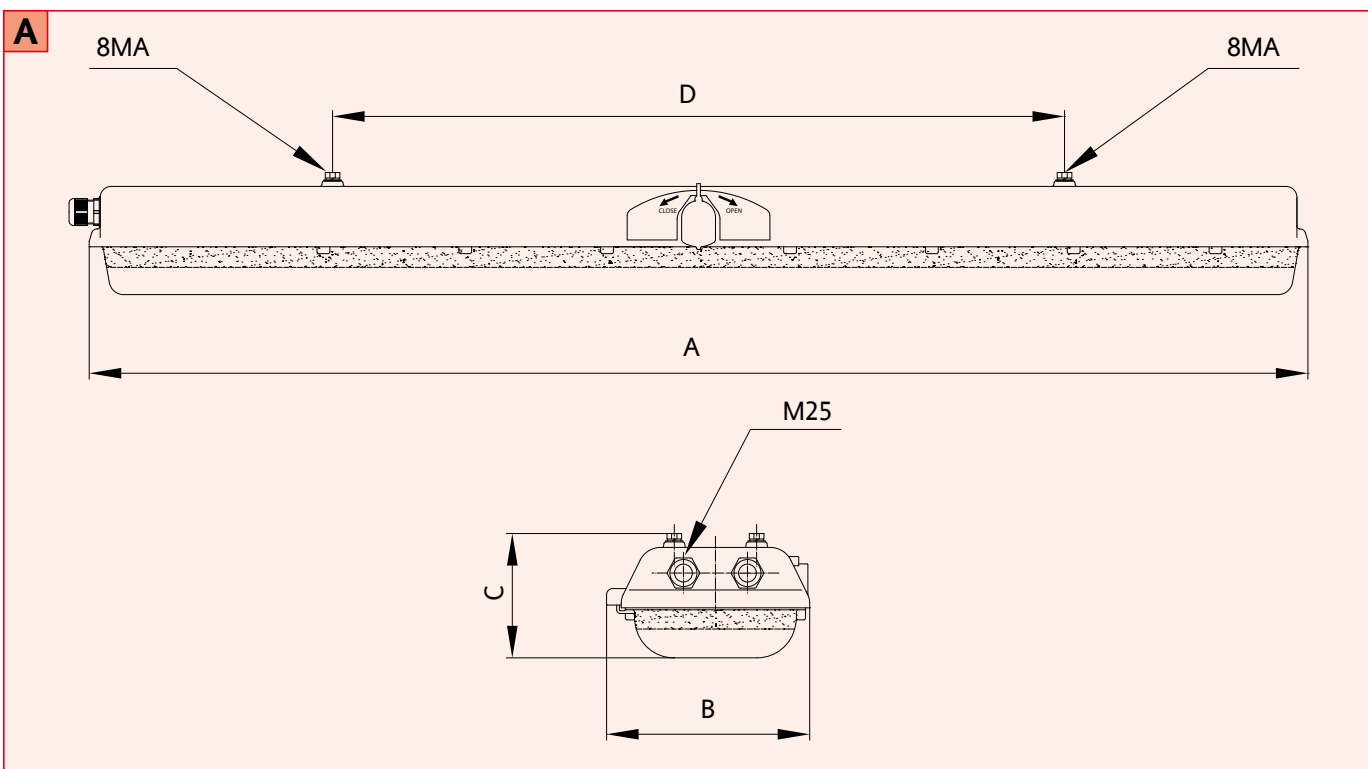
AVC 118-E	1 x 18W	T4	T 80°C	G13	4 x M25 x 1,5	4.8 V - 4Ah	3h	A
AVC 136-E	1 x 36W	T4	T 80°C	G13	4 x M25 x 1,5	4.8 V - 4Ah	3h	A
AVC 218-E	2 x 18W	T4	T 80°C	G13	4 x M25 x 1,5	4.8 V - 4Ah	3h	A
AVC 236-E	2 x 36W	T4	T 80°C	G13	4 x M25 x 1,5	4.8 V - 4Ah	3h	A

AVC Technical features

CODE	A [mm]	B [mm]	C [mm]	D [mm]	WEIGHT [Kg]	CABLE ENTRY	DETAIL
AVC 118	705	222	134	450	7,50	4 x M25 x 1,5	A
AVC 136	1335	222	134	800	11,50	4 x M25 x 1,5	A
AVC 218	705	222	134	450	8,00	4 x M25 x 1,5	A
AVC 236	1335	222	134	800	12,00	4 x M25 x 1,5	A

CODE	A [mm]	B [mm]	C [mm]	D [mm]	WEIGHT [Kg]	CABLE ENTRY	DETAIL
AVC 118-E	705	222	134	450	9,00	4 x M25 x 1,5	A
AVC 136-E	1335	222	134	800	13,00	4 x M25 x 1,5	A
AVC 218-E	705	222	134	450	9,50	4 x M25 x 1,5	A
AVC 236-E	1335	222	134	800	13,50	4 x M25 x 1,5	A

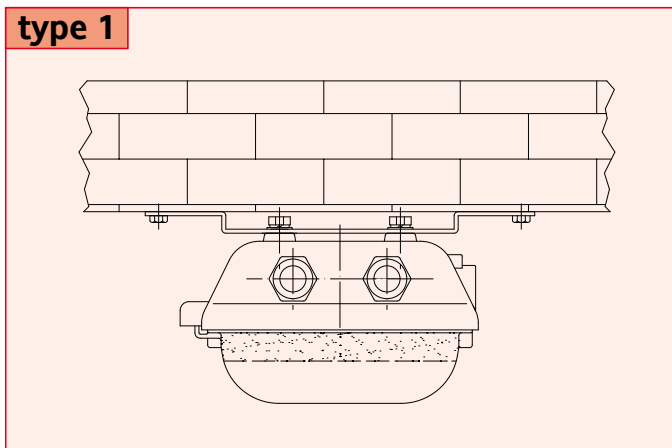
Reference details



AVC Installation and mounting details

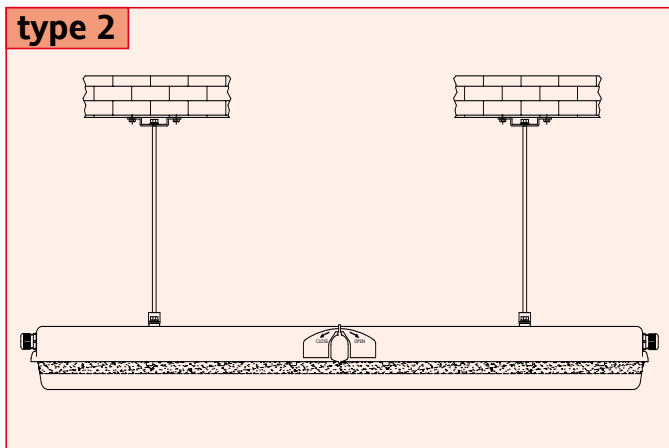
Ceiling mounting

type 1



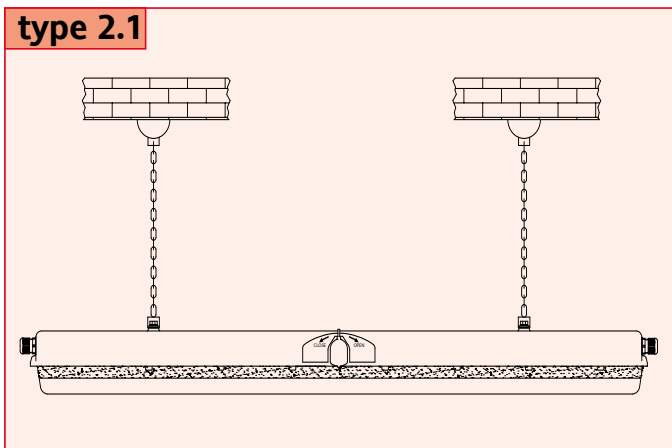
Pendant mounting

type 2



Pendant mounting

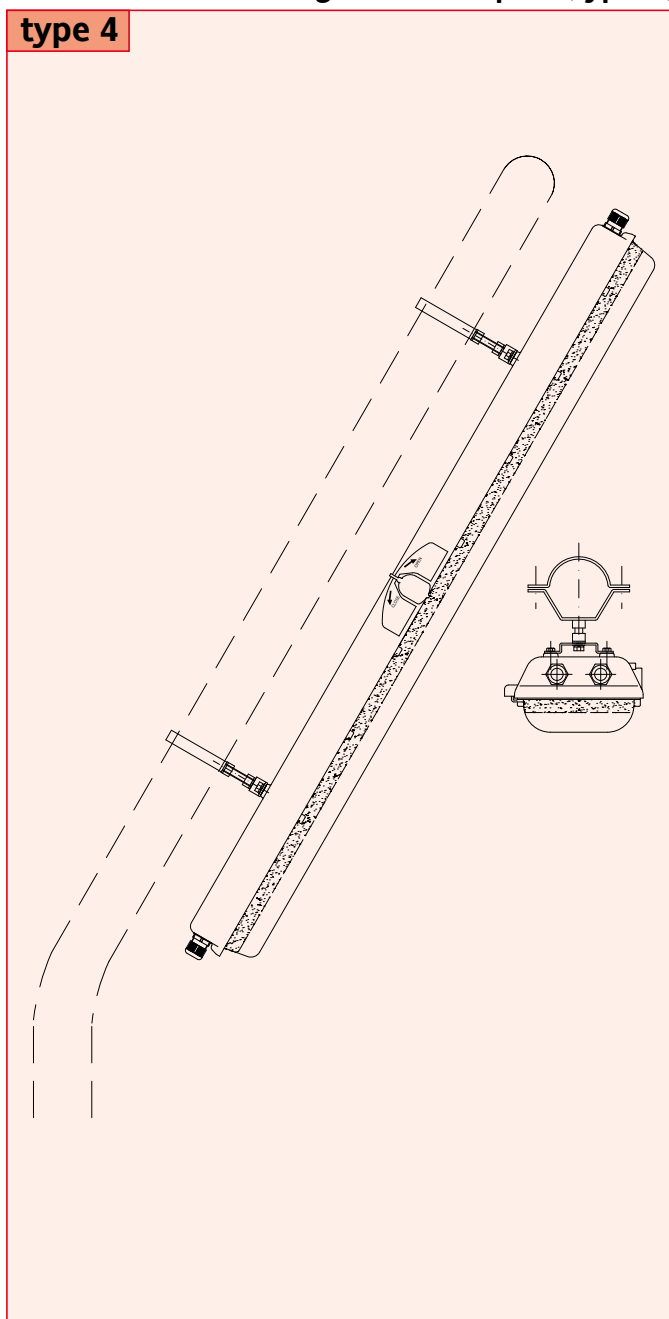
type 2.1



Pole mounting

Assemblig detail with pole (typical)

type 4



Wall/structure mounting

type 3

