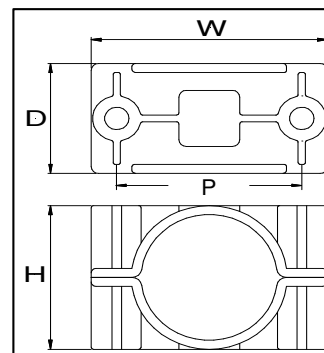


## Two Hole Cable Clamps-Aluminium Data Sheet

Cast aluminium alloy cable cleats are designed for higher specification projects which call for an all metal product. The cleat is manufactured from an aluminium alloy casting to BS 1490:1988.LM6 for dry industrial use or outdoor unpolluted areas. The product can be epoxy coated for use in harsh environments, such as sea air conditions.

### Two Hole Cable Clamp-Aluminium



### Selection Table for Single Cable Application

Part No	Cable Diameter Range mm	Dimensions (mm)				Fixing Hole mm	Pack Qty.	Item Weight g
		W mm	H mm	D mm	P mm			
2G-09N	51-57	96	68	49	76	M10	25	208
2G-10N	57-64	96	75	49	76	M10	25	220
2G-11N	64-70	134	84	64	114	M10	10	376
2G-1200N	70-76	134	90	64	114	M10	10	392
2G-1201N	76-83	142	96	64	114	M12	10	451
2G-1202N	83-89	142	102	64	114	M12	5	550
2G-131N	89-95	154	114	76	126	M12	5	650
2G-132N	95-101	154	120	76	126	M12	5	750
2G-141N	101-108	169	134	76	140	M12	5	1100
2G-142N	108-114	169	140	76	140	M12	5	1450

### Testing Information

Two Hole Cable Clamps-Aluminium have been tested in line with the European Standard of 'Cable Cleats for Electrical Installations' BS EN 50368:2003. Typical results are detailed below:

Properties	BS EN 50368:2003 Classification	Clause	Units / Classification	Test Data
Cleat Type	6.1, 6.1.3		Metallic	-
Impact Resistance	6.2, 6.2.5, 9.3		Very Heavy Classification (>6.7kg @ 300mm)	Pass
Resistance to Electromechanical Force.	6.3		Refer to Ellis Patents for further details.	Refer to Ellis Patents for further details.
Temperature for Permanent Application	6.4		°C	-40 to +150
Needle Flame Test	6.5, 10.0		Application Time (seconds)	>120
Lateral Load Test	9.2		Newtons (N)	28000
Axial Movement Test	9.5		Newtons (N)	2000