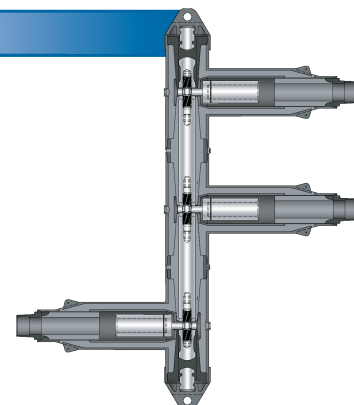


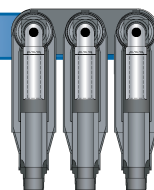
## L-KITS

The L-Kit system utilizes 600 series elbow cable termination with 600 series connecting plugs. Each cable is terminated with an elbow. They are then stacked and joined together with a connecting plug between elbows.



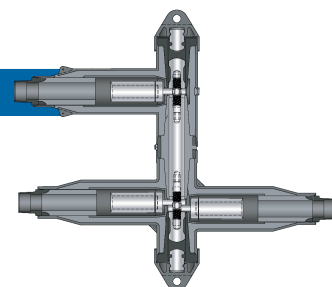
## J-KITS

Our J-Kit system utilizes the same 600 series elbow cable terminations with 600 series 2, 3 or 4-way junctions. Each cable is terminated with an elbow and joined together on the junction.



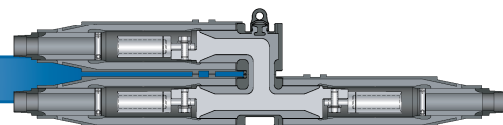
## VSL-KITS

The VSL-Kit system adds a special 600 series double-ended elbow cable termination (vault stretcher) to the L-Kit system. Two cables are terminated with the special double-ended elbow. Three cables are terminated with the special double-ended elbow, a connecting plug and a 600 series elbow. Four cables are terminated with two special double-ended elbows and a 600 series connecting plug.



## COMPACT I, Y AND H

Finally, the Compact I, Y and H system utilizes the 600 series straight receptacle (SR) cable termination, an adapter-retaining ring and a special 2 (I), 3 (Y) or 4-way (H) bus bar. Each cable is terminated with a straight receptacle and joined together by the bus.



Whether you are joining cable in

a padmounted enclosure, a building vault or manhole,

**Elastimold has a separable solution for you.**

<b>L-KITS</b>			
	<b>Voltage Class</b>	<b>Product Name</b>	<b>ELASTIMOLD Part Number</b>
1-way L-Kit	15/25kV	600 Series Deadbreak	K655L1
1-way L-Kit	35kV	600 Series Deadbreak	755L1
2-way L-Kit	15/25kV	600 Series Deadbreak	K655L2
2-way L-Kit	35kV	600 Series Deadbreak	755L2
3-way L-Kit	15/25kV	600 Series Deadbreak	K655L3
3-way L-Kit	35kV	600 Series Deadbreak	755L3
4-way L-Kit	15/25kV	600 Series Deadbreak	K655L4
4-way L-Kit	35kV	600 Series Deadbreak	755L4
<b>J-KITS</b>			
2-way J-Kit	15/25kV	600 Series Deadbreak	K655J2
2-way J-Kit	35kV	600 Series Deadbreak	755J2
3-way J-Kit	15/25kV	600 Series Deadbreak	K655J3
3-way J-Kit	35kV	600 Series Deadbreak	755J3
4-way J-Kit	15/25kV	600 Series Deadbreak	K655J4
4-way J-Kit	35kV	600 Series Deadbreak	755J4
<b>VSL-KITS</b>			
2-way VSL-Kit	15/25kV	600 Series Deadbreak	K655VSL2
2-way VSL-Kit	35kV	600 Series Deadbreak	755VSL2
3-way VSL-Kit	15/25kV	600 Series Deadbreak	K655VSL3
3-way VSL-Kit	35kV	600 Series Deadbreak	755VSL3
4-way VSL-Kit	15/25kV	600 Series Deadbreak	K655VSL4
4-way VSL-Kit	35kV	600 Series Deadbreak	755VSL4
<b>COMPACT I, Y &amp; H</b>			
Separable Straight Joint Pkg. (2-way) w/Test Point	15/25kV	600 Series Deadbreak	K656I-W0X
Basic Housing Pkg. Straight Joint (2-way) w/ Test Point	15/25kV	600 Series Deadbreak	K656I-HP
Separable Wye Joint Pkg. (3-way) w/Test Point	15/25kV	600 Series Deadbreak	K656CY-W0X
Basic Housing Pkg. Wye Joint (3-way) w/Test Point	15/25kV	600 Series Deadbreak	K656CY-HP
Separable H Joint Pkg. (4-way) w/Test Point	15/25kV	600 Series Deadbreak	K656CH-W0X
Basic Housing Pkg. H Joint (4-way) w/Test Point	15/25kV	600 Series Deadbreak	K656CH-HP

## OUR DESIRE FOR CONTINUED IMPROVEMENT DRIVES OUR SOLUTIONS.

The Thomas & Betts commitment to quality and reliability extends beyond the investments and research that lie behind our products and systems. We've developed specific initiatives to help you improve both system performance and reliability.

Our initiatives include product and application training for your engineering and operating personnel through the varied topics of our ongoing Technical Seminars. We also offer service and support through programs like Disaster Relief Response.

All our efforts are conceived and implemented with the same underlying goal: to help you to provide a systems network that meets or exceeds the service expectations of your customers. And helps you give them what they want most; "No outages!"

Thomas & Betts and Elastimold stand as beacons of innovations in the past, present and future. All with a single goal – to help you build more quality, performance and reliability into your utility system.

**Thomas & Betts**

Thomas & Betts Corporation



See also our complete line of Elastimold Cable Accessories  
PG-CA-0506

**WWW.CABLEJOINTS.CO.UK**  
**THORNE & DERRICK UK**  
 TEL 0044 191 490 1547 FAX 0044 477 5371  
 TEL 0044 117 977 4647 FAX 0044 977 5582  
**WWW.THORNEANDDERRICK.CO.UK**

BR-CA-SOLUTIONS-0506  
© 2006 Thomas & Betts