

INTERFACE D 600 SERIES 5/8" US THREADS IN-AIR BUSHING

(K)600TBC

Up to 24 kV 800 A

Application

For use in air installed equipment, typically for transformers, switchgear, capacitors...

Design

Moulded epoxy insulated part with the type D interface of CENELEC EN 50181.

Specifications and standards

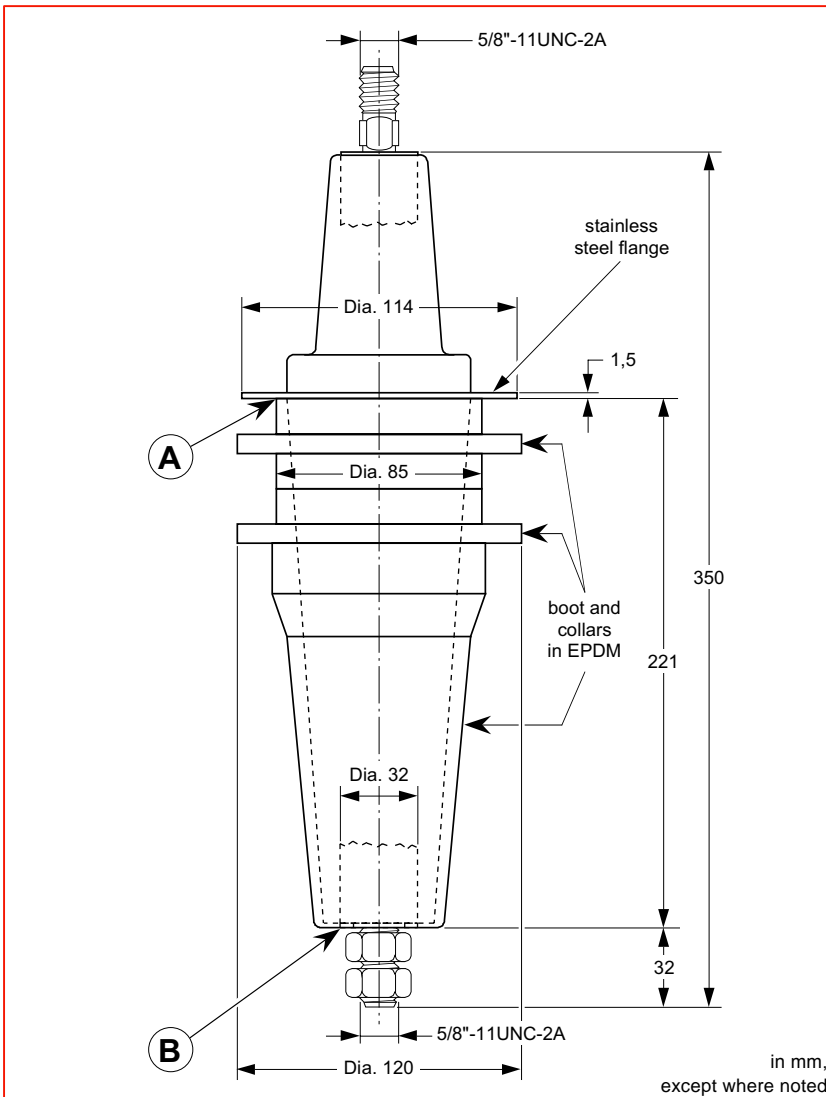
- Elastimold bolted type equipment bushings meet the requirements of IEC 137, IEC 71 and ANSI/IEEE std. 386.

Technical characteristics

- Each bushing is tested for industrial power frequency and partial discharge prior to leaving the factory.
- Has approx. gross shipping wt. of 3 kg per unit.

Ordering instructions

Simply specify
600TBC for 12 kV applications;
K600TBC for 24 kV applications.



Equipment bushing type	Voltage U_m (U_o/U) (kV)	Current I_r (A)	Creepage distance A- B (mm)
600TBC	12 (6.35/11)	800	300
K600TBC	24 (12.7/22)	800	300



WWW.CABLEJOINTS.CO.UK
THORNE & DERRICK UK
TEL 0044 191 490 1547 FAX 0044 477 5371
TEL 0044 117 977 4647 FAX 0044 977 5582
WWW.THORNEANDDERRICK.CO.UK