

EARTH BARS

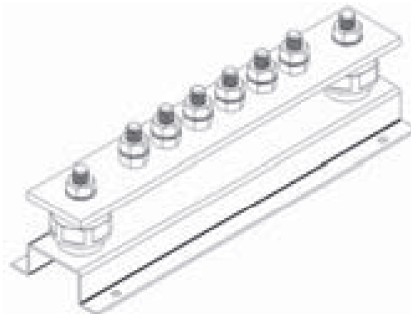
Manufacturing Processes

Material

- Hard Drawn Copper Bar manufactured to British Standard BS 2874-C101/C103.
- Fittings - M10 x 35mm Hexagon sets c/w 2No M10 Full Nuts, 1No M10 Flat washer.
- Insulators - Reinforced Polyester with brass inserts.
- Powder coated galvanised steel channel base.



STANDARD SIZES ARE SHOWN ON THE FOLLOWING TABLES, HOWEVER WE ALSO MANUFACTURE SPECIALS TO CUSTOMER REQUIREMENTS.



Quality

All Kingsmill earth bars are manufactured in our dedicated factory from raw stock and go through a series of manufacturing processes by our skilled staff, thereby enabling us to manufacture and assemble any earth bar with consistent quality control.



STANDARD SIZES ARE SHOWN ON THE FOLLOWING TABLES, HOWEVER WE CAN ALSO MANUFACTURE SPECIALS TO CUSTOMER REQUIREMENTS. CALL OUR SALES STAFF FOR ENQUIRIES ON

ENQUIRIES ON



WWW.CABLEJOINTS.CO.UK
THORNE & DERRICK UK
TEL 0044 191 490 1547 FAX 0044 477 5371
TEL 0044 117 977 4647 FAX 0044 977 5582
WWW.THORNEANDDERRICK.CO.UK

down to earth service



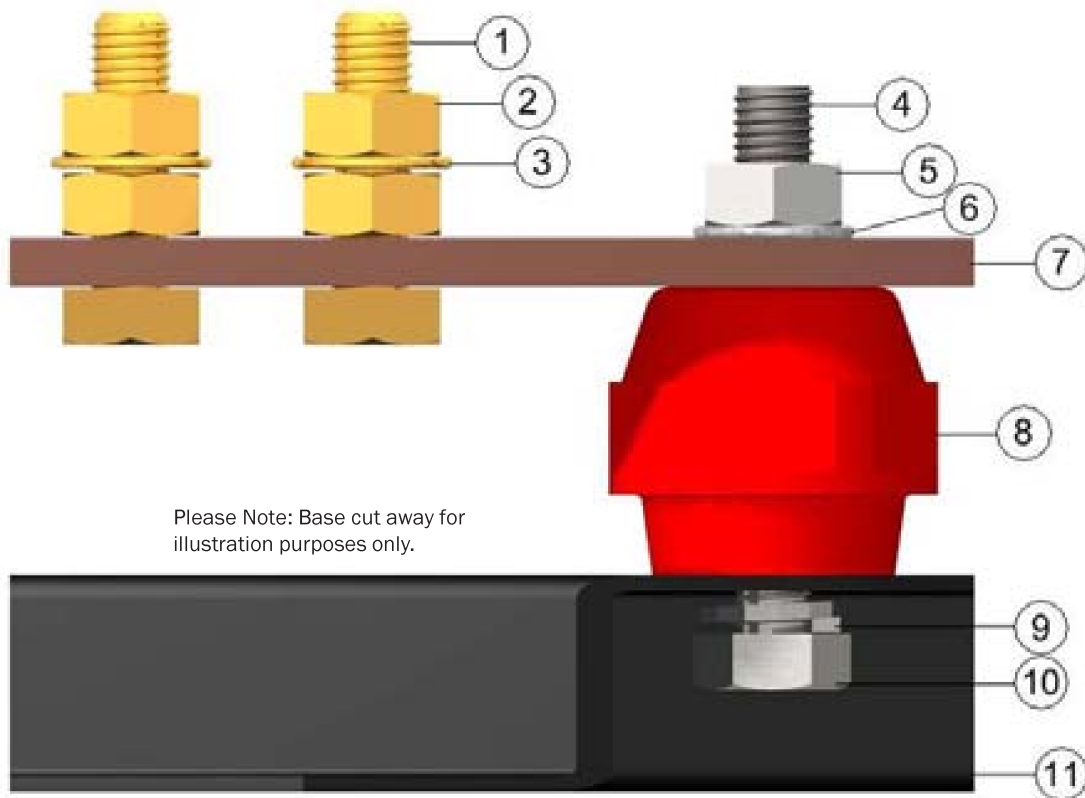
Kingsmill

manufacturers of earthing and lightning protection.

EARTH BARS

Material Specification

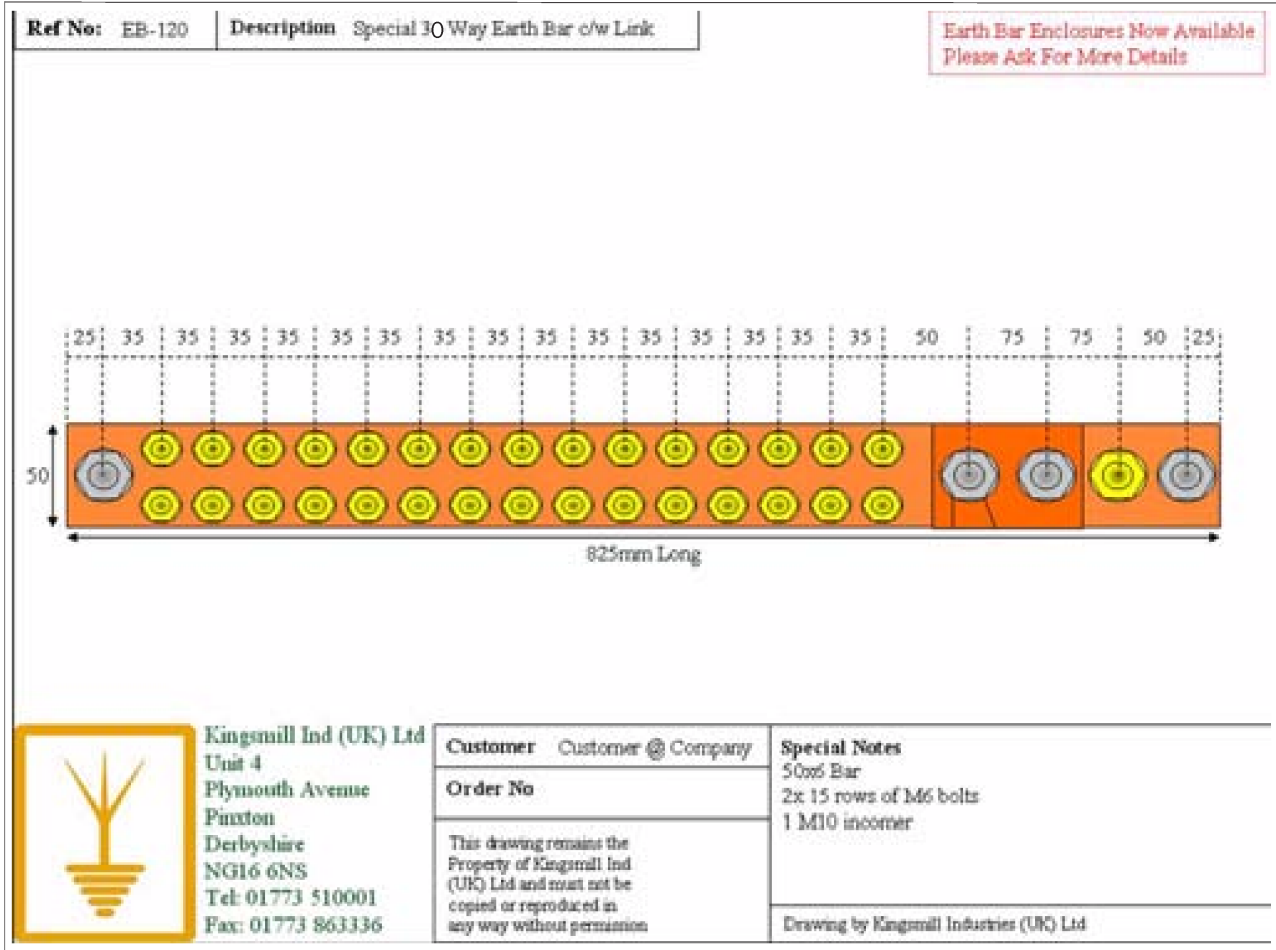
| ITEM | DESCRIPTION | MATERIAL | WEIGHT (Kg) |
|------|-----------------------|---|-------------|
| 1 | M10 x 35mm HEX SET | BRASS | 0.03 |
| 2 | M10 FULL NUT | BRASS | 0.01 |
| 3 | M10 FLAT WASHER | BRASS | 0.002 |
| 4 | M10 x 40mm ALL THREAD | BZP MILD STEEL | 0.02 |
| 5 | M10 FULL NUT | BZP MILD STEEL | 0.01 |
| 6 | M10 FLAT WASHER | BZP MILD STEEL | 0.002 |
| 7 | 50 x 6mm COPPER BAR | HDHC COPPER | 2.67/m |
| 8 | M10 x 35mm INSULATOR | REINFORCED POLYESTER WITH BRASS INSERTS | 0.08 |
| 9 | M10 SPRING WASHER | BZP MILD STEEL | 0.002 |
| 10 | M10 x 12mm HEX SET | BZP MILD STEEL | 0.002 |
| 11 | 90 x 15mm BASE | POWDER COATED STEEL | 1.00/m |



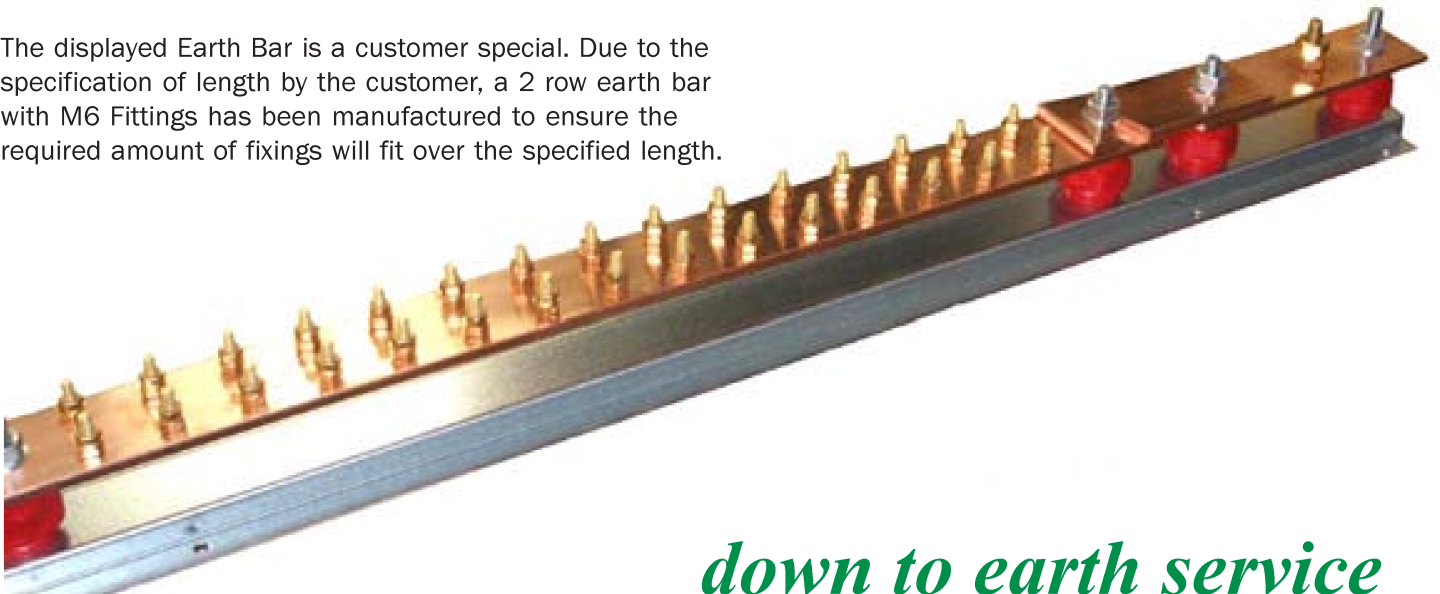
Please Note: Base cut away for illustration purposes only.

EARTH BARS

Earth Bars - To Customer Specification



The displayed Earth Bar is a customer special. Due to the specification of length by the customer, a 2 row earth bar with M6 Fittings has been manufactured to ensure the required amount of fixings will fit over the specified length.



down to earth service



Kingsmill

manufacturers of earthing and lightning protection.

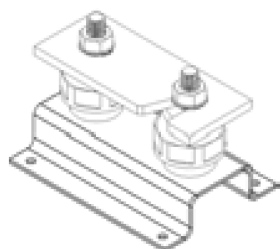
EARTH BARS

Earth Bars - Disconnecting Link

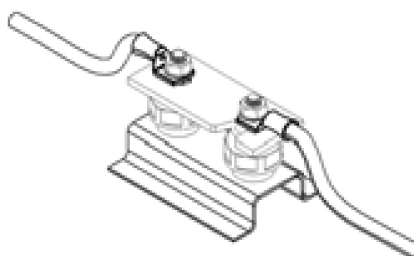


| CODE | OVERALL DIMENSION (mm) | DESCRIPTION | WEIGHT (Kg) |
|-------|------------------------|--------------------|-------------|
| ELINK | 125 x 90 x 90 | DISCONNECTING LINK | 0.62 |

- The disconnecting link is mainly used to offer a temporary break in the connection to earth allowing the testing of an earth rod whilst disconnecting from the lightning protection system.



ELINK EARTH BAR



ELINK EARTH BAR SHOWING TYPICAL EARTH CONNECTION ARRANGEMENT

Kingsmill

The Premier Earthing and Lightning Protection Manufacturers

*Specialists in the design and
manufacture of Earth Bars*



WWW.CABLEJOINTS.CO.UK
THORNE & DERRICK UK
TEL 0044 191 490 1547 FAX 0044 477 5371
TEL 0044 117 977 4647 FAX 0044 977 5582
WWW.THORNEANDDERRICK.CO.UK

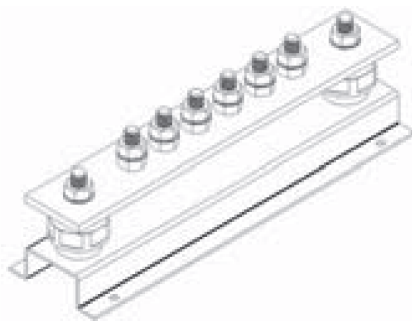
EARTH BARS

Earth Bars - Standard

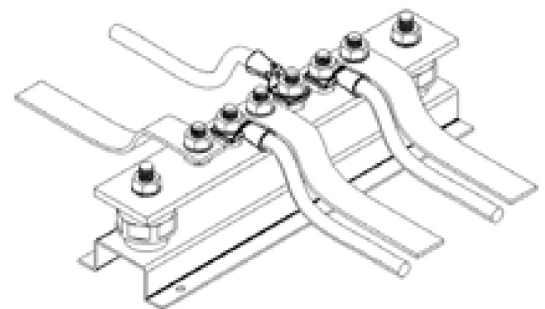
| CODE | OVERALL DIMENSION (mm) | DESCRIPTION | WEIGHT (Kg) |
|--------|------------------------|------------------|-------------|
| EBAR6 | 300 x 90 x 90 | 6 WAY EARTH BAR | 1.70 |
| EBAR8 | 450 x 90 x 90 | 8 WAY EARTH BAR | 2.36 |
| EBAR10 | 450 x 90 x 90 | 10 WAY EARTH BAR | 2.44 |
| EBAR12 | 520 x 90 x 90 | 12 WAY EARTH BAR | 2.77 |
| EBAR14 | 650 x 90 x 90 | 14 WAY EARTH BAR | 3.59 |
| EBAR16 | 650 x 90 x 90 | 16 WAY EARTH BAR | 4.21 |
| EBAR18 | 800 x 90 x 90 | 18 WAY EARTH BAR | 4.31 |
| EBAR20 | 800 x 90 x 90 | 20 WAY EARTH BAR | 4.72 |
| EBAR22 | 900 x 90 x 90 | 22 WAY EARTH BAR | 4.82 |
| EBAR24 | 1050 x 90 x 90 | 24 WAY EARTH BAR | 5.49 |
| EBAR26 | 1050 x 90 x 90 | 26 WAY EARTH BAR | 5.59 |
| EBAR28 | 1250 x 90 x 90 | 28 WAY EARTH BAR | 6.55 |
| EBAR30 | 1250 x 90 x 90 | 30 WAY EARTH BAR | 6.65 |



- Earth Bars are an efficient and convenient way of providing a common earth point.
- Kingsmill Earth Bars are supplied with a powder coated base as standard.



STANDARD EARTH BAR WITH NO DISCONNECTING LINKS



STANDARD EARTH BAR SHOWING TYPICAL EARTH CONNECTION ARRANGEMENT

down to earth service



Kingsmill

manufacturers of earthing and lightning protection.

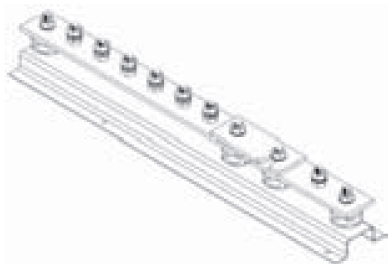
EARTH BARS

Earth Bars - Complete with Single Disconnecting Link

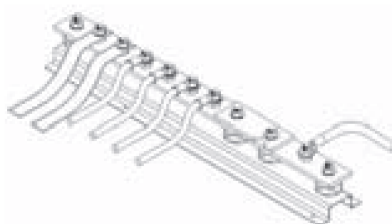


| CODE | OVERALL DIMENSION (mm) | DESCRIPTION | WEIGHT (Kg) |
|----------|------------------------|--------------------------------------|-------------|
| EBAR6-1 | 450 x 90 x 90 | 6 WAY EARTH BAR C/W DISCONNECT LINK | 2.80 |
| EBAR8-1 | 650 x 90 x 90 | 8 WAY EARTH BAR C/W DISCONNECT LINK | 3.64 |
| EBAR10-1 | 650 x 90 x 90 | 10 WAY EARTH BAR C/W DISCONNECT LINK | 3.74 |
| EBAR12-1 | 800 x 90 x 90 | 12 WAY EARTH BAR C/W DISCONNECT LINK | 4.41 |
| EBAR14-1 | 800 x 90 x 90 | 14 WAY EARTH BAR C/W DISCONNECT LINK | 4.49 |
| EBAR16-1 | 900 x 90 x 90 | 16 WAY EARTH BAR C/W DISCONNECT LINK | 4.93 |
| EBAR18-1 | 1050 x 90 x 90 | 18 WAY EARTH BAR C/W DISCONNECT LINK | 5.58 |
| EBAR20-1 | 1050 x 90 x 90 | 20 WAY EARTH BAR C/W DISCONNECT LINK | 5.68 |
| EBAR22-1 | 1250 x 90 x 90 | 22 WAY EARTH BAR C/W DISCONNECT LINK | 6.65 |
| EBAR24-1 | 1250 x 90 x 90 | 24 WAY EARTH BAR C/W DISCONNECT LINK | 6.75 |
| EBAR26-1 | 1250 x 90 x 90 | 26 WAY EARTH BAR C/W DISCONNECT LINK | 6.55 |
| EBAR28-1 | 1450 x 90 x 90 | 28 WAY EARTH BAR C/W DISCONNECT LINK | 7.66 |
| EBAR30-1 | 1450 x 90 x 90 | 30 WAY EARTH BAR C/W DISCONNECT LINK | 7.76 |

- The disconnecting link is mainly used to offer a temporary break in the connection to earth allowing the inspection and testing of an earth rod / system while disconnected from the lightning and earth system.
- Earth Bars are an efficient and convenient way of providing a common earth point.



STANDARD EARTH BAR WITH
DISCONNECTING LINK



STANDARD EARTH BAR WITH DISCONNECTING LINK
SHOWING TYPICAL EARTH CONNECTION ARRANGEMENT

STANDARD SIZES ARE SHOWN ON THE FOLLOWING TABLES,
HOWEVER WE CAN ALSO MANUFACTURE SPECIALS TO
CUSTOMER REQUIREMENTS. CALL OUR SALES STAFF FOR

ENQUIRIES ON



down to earth service

WWW.CABLEJOINTS.CO.UK
THORNE & DERRICK UK
TEL 0044 191 490 1547 FAX 0044 477 5371
TEL 0044 117 977 4647 FAX 0044 977 5582
WWW.THORNEANDDERRICK.CO.UK

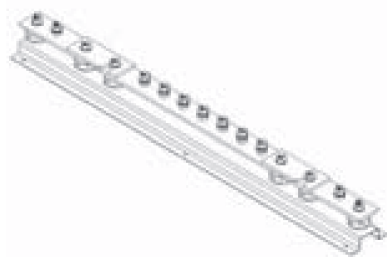
EARTH BARS

Earth Bars - Complete with Twin Disconnecting Link

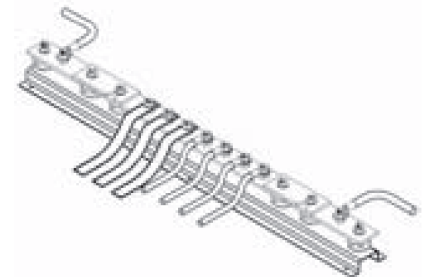
| CODE | OVERALL DIMENSION (mm) | DESCRIPTION | WEIGHT (Kg) |
|----------|------------------------|---|-------------|
| EBAR6-2 | 800 x 90 x 90 | 6 WAY EARTH BAR C/W TWIN DISCONNECT LINK | 4.60 |
| EBAR8-2 | 800 x 90 x 90 | 8 WAY EARTH BAR C/W TWIN DISCONNECT LINK | 4.68 |
| EBAR10-2 | 900 x 90 x 90 | 10 WAY EARTH BAR C/W TWIN DISCONNECT LINK | 5.14 |
| EBAR12-2 | 1050 x 90 x 90 | 12 WAY EARTH BAR C/W TWIN DISCONNECT LINK | 5.24 |
| EBAR14-2 | 1050 x 90 x 90 | 14 WAY EARTH BAR C/W TWIN DISCONNECT LINK | 6.04 |
| EBAR16-2 | 1250 x 90 x 90 | 16 WAY EARTH BAR C/W TWIN DISCONNECT LINK | 7.00 |
| EBAR18-2 | 1250 x 90 x 90 | 18 WAY EARTH BAR C/W TWIN DISCONNECT LINK | 7.34 |
| EBAR20-2 | 1250 x 90 x 90 | 20 WAY EARTH BAR C/W TWIN DISCONNECT LINK | 8.45 |
| EBAR22-2 | 1450 x 90 x 90 | 22 WAY EARTH BAR C/W TWIN DISCONNECT LINK | 8.00 |
| EBAR24-2 | 1450 x 90 x 90 | 24 WAY EARTH BAR C/W TWIN DISCONNECT LINK | 8.18 |
| EBAR26-2 | 1600 x 90 x 90 | 26 WAY EARTH BAR C/W TWIN DISCONNECT LINK | 8.79 |
| EBAR28-2 | 1600 x 90 x 90 | 28 WAY EARTH BAR C/W TWIN DISCONNECT LINK | 8.89 |
| EBAR30-2 | 1700 x 90 x 90 | 30 WAY EARTH BAR C/W TWIN DISCONNECT LINK | 9.37 |



- The twin disconnecting link is mainly used to offer a temporary break in the connection to earth allowing the inspection and testing of multiple earth rods / systems while disconnected from the lightning and earth system.
- Earth Bars are an efficient and convenient way of providing a common earth point.



STANDARD EARTH BAR WITH
TWIN DISCONNECTING LINKS



STANDARD EARTH BAR WITH TWIN
DISCONNECTING LINKS SHOWING
TYPICAL EARTH CONNECTION ARRANGEMENT

STANDARD SIZES ARE SHOWN ON THE FOLLOWING TABLES,
HOWEVER WE CAN ALSO MANUFACTURE SPECIALS TO
CUSTOMER REQUIREMENTS. CALL OUR SALES STAFF FOR

ENQUIRIES ON



down to earth service

WWW.CABLEJOINTS.CO.UK
THORNE & DERRICK UK
TEL 0044 191 490 1547 FAX 0044 477 5371
TEL 0044 117 977 4647 FAX 0044 977 5582
WWW.THORNEANDDERRICK.CO.UK



Kingsmill

manufacturers of earthing and lightning protection.

EARTH BARS

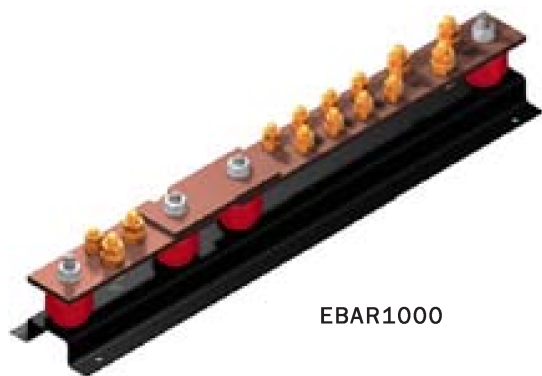
Earth Bars - 600amp & 1000amp



EBAR600

| CODE | OVERALL DIMENSION (mm 2) | DESCRIPTION | WEIGHT (Kg) |
|----------|--------------------------|-------------------|-------------|
| EBAR600 | 285 x 70 x 80 | 600Amp EARTH BAR | 1.30 |
| EBAR1000 | 520 x 90 x 90 | 1000Amp EARTH BAR | 3.24 |

- Earth Bars are an efficient and convenient way of providing a common earth point.
- Kingsmill Earth Bars are supplied with a powder coated base as standard.



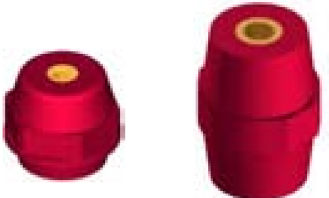
EBAR1000

Earth Bars - Insulators



INSU1

INSU2



INSU3

INSU4

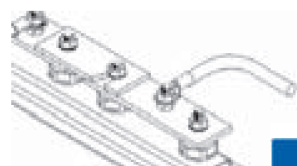
| CODE | SIZE (mm) | DESCRIPTION | WEIGHT (Kg) |
|-------|-----------|---|-------------|
| INSU1 | M10 x 35 | INSULATOR STAND OFF TYPE C/W 2 STUDS & 3 NUTS | 0.15 |
| INSU2 | M10 x 35 | INSULATOR STAND OFF TYPE | 0.08 |
| INSU3 | M6 x 25 | INSULATOR STAND OFF TYPE | 0.03 |
| INSU4 | M10 x 51 | INSULATOR STAND OFF TYPE | 0.09 |

Electrical:

Dielectric Strength: >14 KV/mm.
 Resistance (normal): >10 M Ohms.
 Resistance (bolted): >10 M Ohms.
 Arc resistance: >180 sec.
 Tracking Index: >600

Inserts:

| | | |
|--|-----|--------------|
| Brass | M6 | 9Nm Torque. |
| (Torques can depend on the Standoff diameter). | M8 | 18Nm Torque. |
| | M10 | 35Nm Torque. |



WWW.CABLEJOINTS.CO.UK

THORNE & DERRICK UK

TEL 0044 191 490 1547 FAX 0044 477 5371

TEL 0044 117 977 4647 FAX 0044 977 5582

WWW.THORNEANDDERRICK.CO.UK