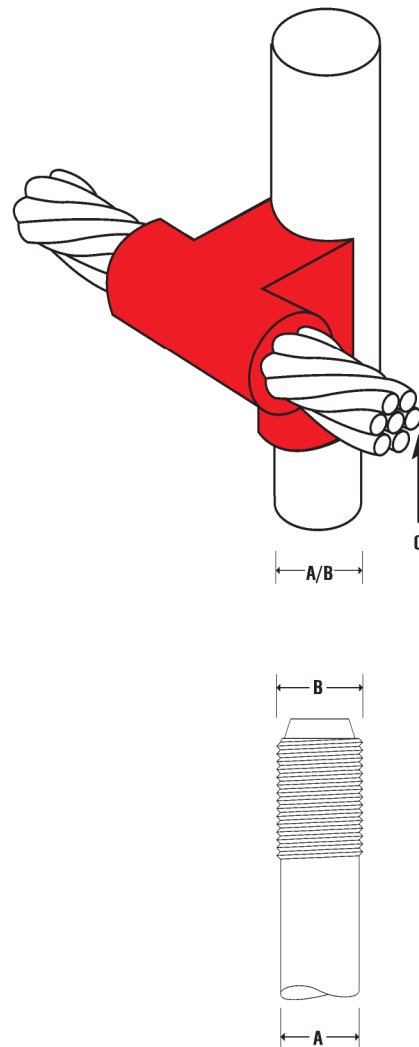


CU-NNECT EXOTHERMIC WELDING

CR3 - Cable to Earth Rod

A mm	B inches	C mm ²	Weld Powder	Mould	Handle Clamp
12.7	1/2"	16	WEP 090	CR3-E-12716	HCC 001
		25		CR3-E-12725	
		35		CR3-E-12735	
		8mm Ø	WEP 115	CR3-E-1278SC	
		50		CR3-E-12750	
		70		CR3-E-12770	
		95		CR3-E-12795	
		120	WEP 150	CR3-E-127120	
		150		CR3-E-127150	
		185	WEP 250	CR3-E-127185	
		240	2 x WEP 200	CR3-E-127240	
		300	2 x WEP 250	CR3-E-127300	
14.2	5/8"	16	WEP 090	CR3-E-14216	HCC 001
		25		CR3-E-14225	
		35		CR3-E-14235	
		8mm Ø	WEP 115	CR3-E-1428SC	
		50		CR3-E-14250	
		70		CR3-E-14270	
		95		CR3-E-14295	
		120	WEP 150	CR3-E-142120	
		150	WEP 200	CR3-E-142150	
		185	WEP 250	CR3-E-142185	
		240	2 x WEP 200	CR3-J-142240	
		300	2 x WEP 250	CR3-J-142300	
17.2	3/4"	16	WEP 090	CR3-E-17216	HCC 001
		25		CR3-E-17225	
		35		CR3-E-17235	
		8mm Ø	WEP 115	CR3-E-1728SC	
		50		CR3-E-17250	
		70		CR3-E-17270	
		95		CR3-E-17295	
		120	WEP 200	CR3-E-172120	
		150	WEP 250	CR3-E-172150	
		185	2 x WEP 200	CR3-J-172185	
		240		CR3-J-172240	
		300	3 x WEP 200	CR3-J-172300	
					HCD 001



Earth rod threads must be removed before joint is made.

Suitable only for Copperbond Earth Rods. Please contact our sales office for details on connections to Solid Copper and Stainless Steel Earth Rods.