

### 20A Switch Disconnectors

#### Stainless Steel Enclosures - Non Glare Finish



The stainless steel enclosed isolators provide the security of knowing that environmental conditions will not effect the performance of the device for very extended periods.

Used throughout the food and pharmaceutical industries for its resistance to caustic cleaning agents, the stainless steel enclosure will also protect the interior against the elements in the most exposed of situations.

#### Features:-

- Ratings to BS EN 60947-3  
Ith<sub>e</sub> 20A, AC23A : 9.5kW at 415V.
- Lid mounting switch interiors.
- Standard items available in 2, 3, 4 and 6 poles.  
3 and 6 pole options with 2 early break (E/B) auxiliaries.
- Optional neutral links form part of the switch interior.
- Plain hole cable entries (rear entry).
- Enclosure material - 18 gauge stainless steel 304
- Sealing to IP65.
- Finish:- Natural - Brushed (Non Glare)
- Socket head lid fixings.
- Padlocking cast lever.
- Positive break contacts.
- A maximum of 8 contacts available in the 20A size.
- Earthing points on both lid and enclosure base plus external M6 earth terminal.
- Padlocking in both 'On' & 'Off' positions
- Labels - Engraved traffolyte labels in various colours can be mounted on the enclosure lid, or supplied loose for mounting adjacent to the isolator.
- Second product label supplied loose for fitting by contractor where original label may be obscured.

#### Ordering Information:-

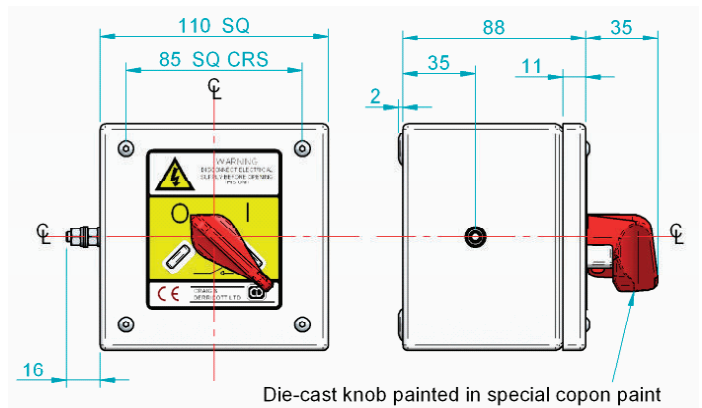
Configuration	Catalogue Number
2 Pole	DS252LUL10
3 Pole	DS253LUL10
3 Pole + 2 E/B Aux.	DS253EBLUL10
4 Pole	DS254LUL10
6 Pole	DS256LUL10
6 Pole + 2 E/B Aux.	DS256EBLUL10

To order a neutral link please include in ref as follows:-  
Example 3 pole + Neutral Link  
DS253NLLUL10

#### Spares

To order spare switch interiors, add suffix /INT to the part number as follows:-  
Example 3 pole + Neutral Link  
DS253NLLUL10/INT

#### Dimensions:-



Internal Fixings - M6 on 85 x 85crs  
Termination - M4  
Maximum Cable Size - 2.5 to 6.0 mm<sup>2</sup>  
Weight - Approx. 1.4 kg



[WWW.CABLEJOINTS.CO.UK](http://WWW.CABLEJOINTS.CO.UK)

**THORNE & DERRICK UK**

TEL 0044 191 490 1547 FAX 0044 477 5371

TEL 0044 117 977 4647 FAX 0044 977 5582

[WWW.THORNEANDDERRICK.CO.UK](http://WWW.THORNEANDDERRICK.CO.UK)