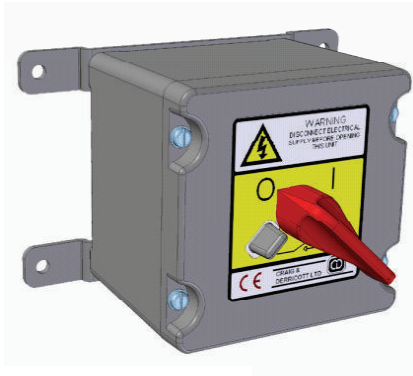


25A Switch Disconnectors

Die-cast Enclosures Finished in Dark Admiralty Grey



The die-cast range of switch disconnectors from Craig & Derricott provides the ultimate in strength and flexibility for today's industrial installations.

Available in both 25A and 40A ratings, the options available will cover the majority of applications found in a typical site project.

Years of being at the forefront of switch disconnector manufacture has enabled us to provide the very best in quality and reliability.

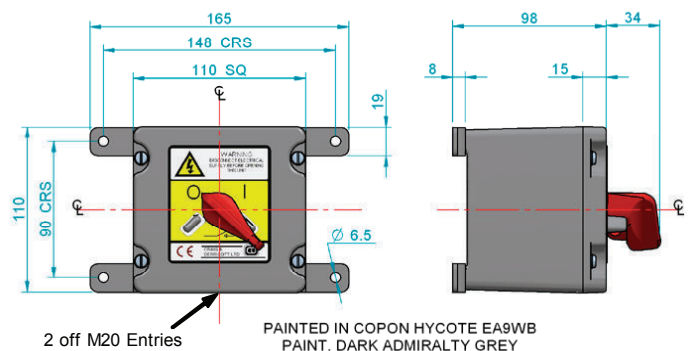
Features:-

- Ratings to BS EN 60947-3
Ith_e 25A, AC23A : 9.5kW at 415V.
- Standard items available in 2, 3, 4 and 6 poles.
3 and 6 pole options with 2 early break (E/B) auxiliaries.
- Captive lid fixing screws with security head.
- 2 x M20 tapped cable entries (1 off plugged)
- Enclosure material - Aluminium (LM6).
- Sealing to IP65.
- Paint Finishes -
Copen 35TR or 38TR systems
Colour - Dark Admiralty Grey* 381 C632HG
- Supplied with pre-finished steel mounting brackets
- Neutral links form part of the switch interior.
- Padlocking cast lever.
- Positive break contacts.
- A maximum of 8 contacts available in the 20A size.
- Earthing points in both lid and enclosure base plus external M6 earth terminal.
- Padlocking in both 'On' & 'Off' positions
- Labels - Engraved traffolyte labels in various colours can be supplied attached to the side of the enclosure, or supplied loose for fitting adjacent to the isolator.
- Second product label supplied loose for fitting by contractor where original label may be obscured.

Ordering Information:-

Configuration	Catalogue Number
2 Pole	DCG252LUL10
3 Pole	DCG253LUL10
3 Pole + 2 E/B Aux.	DCG253EBLUL10
4 Pole	DCG254LUL10
6 Pole	DCG256LUL10
6 Pole + 2 E/B Aux.	DCG256EBLUL10

Dimensions:-



Termination - M4
Maximum Cable Size - 2.5 to 6.0mm²
External Fixings - M6
Weight - Approx. 1.4kg



WWW.CABLEJOINTS.CO.UK

THORNE & DERRICK UK

TEL 0044 191 490 1547 FAX 0044 477 5371

TEL 0044 117 977 4647 FAX 0044 977 5582

WWW.THORNEANDDERRICK.CO.UK