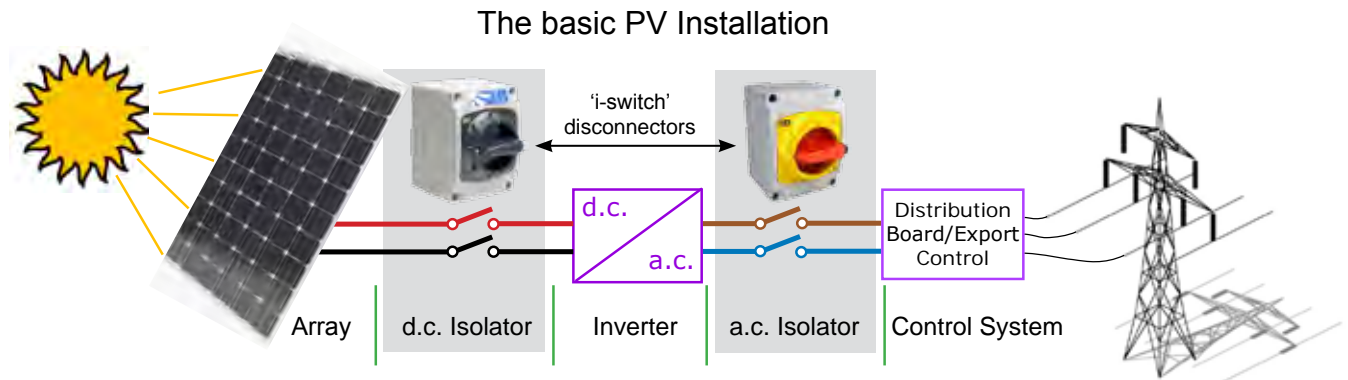


Solar power is an environmentally friendly method of producing electricity and is achieved using PhotoVoltaic (PV) cells that capture sunlight and convert it to electricity. By combining cells into an array different voltages and current combinations can be achieved.

Once installed an array will continue to generate voltage and current and it is therefore essential to isolate the array in the event of a fault or for maintenance purposes. To enable this Craig and Derricott have developed a range of DC switch-disconnectors to manage this specific application.

See page 5 for AC isolating devices



Select from the table below the suitable d.c. switch-disconnector to meet the required installation that is applicable to Rated Operational Voltage and Rated Operational Current rating.

D.C. Isolators (array side of inverter)

Catalogue Nos. and Enclosure Arrangements

Enclosed Assembly Catalogue No	Interior Isolating Sw. Catalogue No	Number of poles	Rated Operational Voltage (d.c.)	I_{th} (A)	Rated Operational Current (I_{the}) - DC21B	Connection Diag. (See Over)	Enclosure Size.
PVP162	SPV162	2	600	25	16	W	A
PVP252	SPV252			32	25		
PVP322	SPV322			40	32		
PVP163	SPV163	3	1000	25	16	X	A
PVP253	SPV253			32	25		
PVP323	SPV323			40	32		
*PVP1622	*SPV1622	4	600	25	16	Y	B
*PVP2522	*SPV2522			32	25		
*PVP3222	*SPV3222			40	32		
PVP164	SPV164	4	1200	25	16	Z	B
PVP254	SPV254			32	25		
PVP324	SPV324			40	32		

* Designed to isolate twin array applications.



D.C. Isolators (contd.)

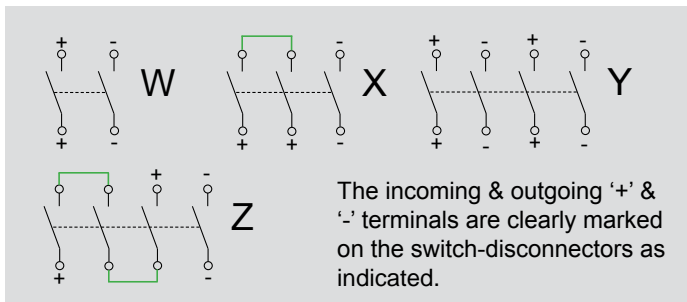
Technical Data

- Type tested to BS EN 60947-3
- Thermal rating (I_{th}) Up to 40A
- Utilization Category DC21B
- Ambient temp. limits 55°C (Peak) max
- Ingress protection all assemblies IP66
- Operating handles will accept up to three padlocks in the 'Off' position.
Recommended hasp diameter is 1/4" (Ø6.4mm)
- Terminal capacity:-

Cable type	Capacity (40A)
Rigid	2 x 10mm ²
Flex.	2 x 6mm ²
Tightening torque	1.0Nm

Internal Switch Linking

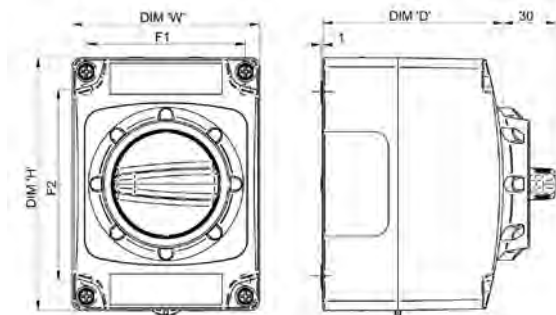
(Links supplied factory fitted)



Dimensions

All enclosures supplied with plain sides.
ABS/Polycarbonate

Colour - RAL7035



Sizes A&B

	Overall Dims			Fixing Details		
	H	W	D	F1	F2	Ø
Size A	135	100	95	85	98.5	5.5
Size B	175	130	115	115	135	5.5

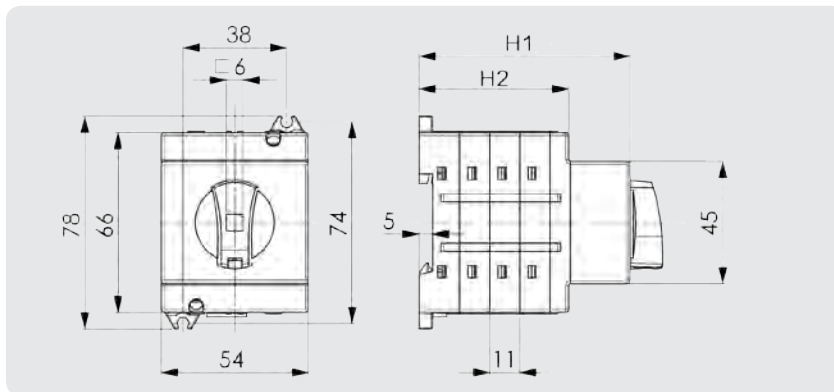


For those installing PV isolators in their own assemblies, the following components are available:-

- On-load d.c. isolating switches
- Operating shaft kits
- IP65 Door interlocking handle assemblies

Isolating Switch modules

Cat No	Rated operational voltage (d.c.)	Rated operational current (A) - DC21B	Total No. of poles	Max. enclosure depth with SSH1 shaft	Max. enclosure depth with SSH2 shaft	H1	H2
SPV162	600	16	2	148	248	50.5	28
SPV252		25					
SPV322		32					
SPV163	1000	16	3	159	259	61.5	39
SPV253		25					
SPV323		32					
SPV1622	600	16	4	170	270	72.5	50
SPV2522		25					
SPV3222		32					
SPV164	1200	16	4	170	270	72.5	50
SPV254		25					
SPV324		32					

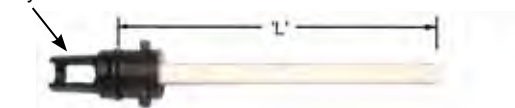


Typical assembly in a 32A 4 pole format.
(See table for maximum height enclosure space when using 100mm & 200mm shafts)

Operating Shafts

Supplied in two lengths to suit varying enclosure depths, the shafts can easily be shortened and re-assembled.

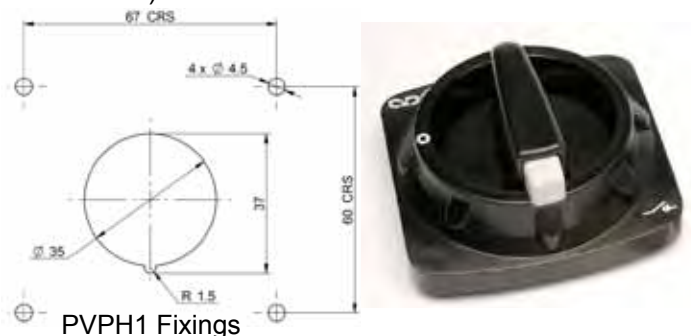
Style SSH1 & SSH2



Switch Rating	Shaft Length 'L'	Catalogue No.
16A, 25A & 32A	100mm	SSH8
	200mm	SSH18

Door Interlocking Handles

The door interlocked handle is of a stylish design and compact in size. Up to 3 padlocks can be fitted to lock the handle in the 'Off' position. (Ø6.4 max. hasp diameter)



Switch Rating	Sealing	Catalogue No.
25A, 32A & 45A	IP65	PVPH1

