

CABLE PROTECTION & IDENTIFICATION

07

Anderton cable covers are used extensively throughout the UK serving as a warning to personnel working or excavating in close proximity to pipes or live cables. Additionally, cable covers act as a physical barrier against accidental damage and help to eliminate costly repairs and regular maintenance. They also offer personal protection to site operatives.

Service Identification

The Anderton range of marker posts and marker blocks identify the exact location of buried utility services. They act as a warning against accidental damage and help to reduce expensive search costs.



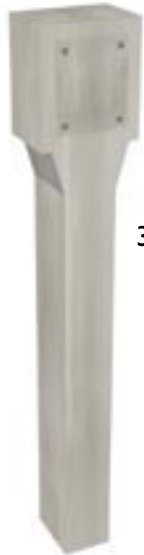
WWW.CABLEJOINTS.CO.UK
THORNE & DERRICK UK
TEL 0044 191 490 1547 FAX 0044 477 5371
TEL 0044 117 977 4647 FAX 0044 977 5582
WWW.THORNEANDDERRICK.CO.UK

CABLE COVERS & SERVICE IDENTIFICATION

CI/SfB Yf2
 (90.6) Yg2
 May 2004

MARKER POST

Type M4
 Length 1230mm



31 Kg

TYPE 2 MARKER POST

Head to take 100mm x 76mm plate
 Length 762mm



24 Kg

TYPE I MARKER POST

Head to take 100mm x 76mm lead insert
 Length 610mm



14 Kg

DUCT MARKER POST

1525 x 100 x 100mm



49 Kg

BLOCK TYPE MARKER

305 x 305 x 152mm - 33 Kg
 610 x 610 x 102mm - 87 Kg
 Both with space for 101 x 76mm lead insert



EARTH ROD CORE AND SURROUND

315 x 315 x 210mm



34 Kg

50 Kg



DUCT MARKER BLOCK

305 x 305 x 230mm

CABLE COVER



For sizes please see table below

Cable Covers

Available in the following sizes: mm

Kg Pack Size

914 x 152 x 63/38 15.6 100

914 x 229 x 63/38 23 63

914 x 305 x 63/38 29 49

Concave/convex ends. "DANGER ELECTRICITY" as standard. Other lettering on request.



Anderton
 CONCRETE PRODUCTS LTD

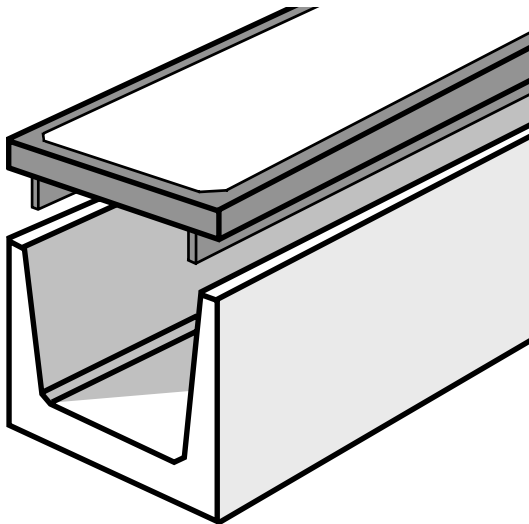
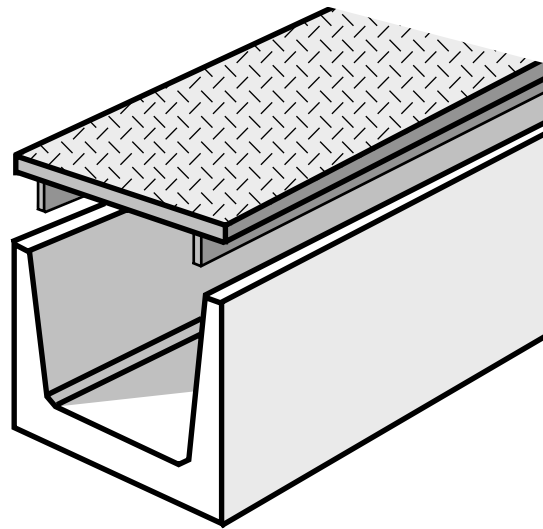


WWW.CABLEJOINTS.CO.UK
 THORNE & DERRICK UK
 TEL 0044 191 490 1547 FAX 0044 477 5371
 TEL 0044 117 977 4647 FAX 0044 977 5582
 WWW.THORNEANDDERRICK.CO.UK

HI - AX LIDS

CI/SfB	Yf2
(90.6)	Yg2
May 2004	

CHEQUER PLATE



CONCRETE IN-FILL

The Anderton Hi-Ax lid has been designed to withstand an 11.5 tonne wheel loading, thus allowing vehicular overrun. The lids are available in steel chequer plate and concrete infill and are compatible to the Anderton troughing range.

All lids are galvanised to prevent corrosion, with the larger lids having substantial under-bracing to give the required strength.

For further information please contact our Sales Office.

Please note lids with under-bracing will reduce the internal capacity of the Trough.



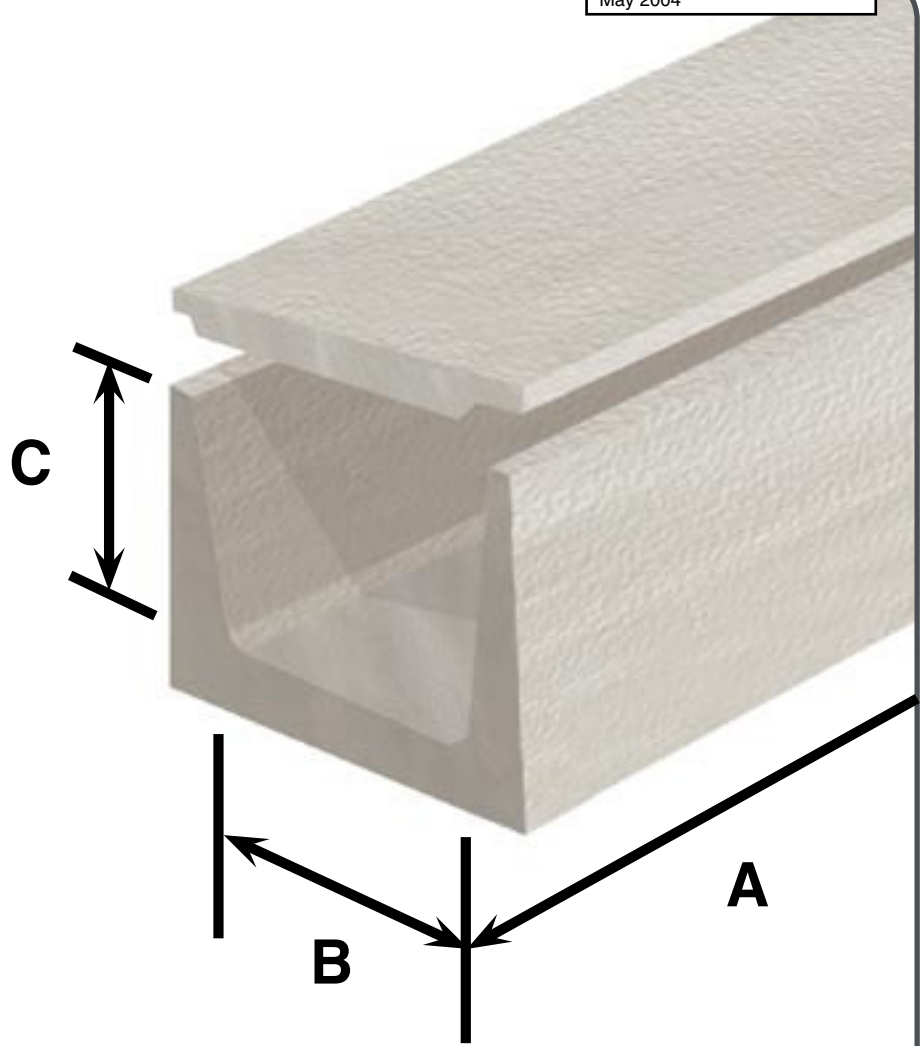
Anderton
CONCRETE PRODUCTS LTD



WWW.CABLEJOINTS.CO.UK
THORNE & DERRICK UK
TEL 0044 191 490 1547 FAX 0044 477 5371
TEL 0044 117 977 4647 FAX 0044 977 5582
WWW.THORNEANDDERRICK.CO.UK

UTILITY DUCTING

CI/StB Yf2
 | (90.6) | Yg2 |
 May 2004



Utility Ducting

Anderton ducting has been at the forefront of cost-effective cable and pipeline protection for many years. Complete with removable lids for easy access Anderton offer a wide range of sizes to satisfy all applications and installation projects.

Product description	Size of trough	Trough Lid	Pack Size
	A B C Kg Kg		
Joint Bay	457 475 305 82 38		8
AA Trough	610 345 305 90 37		8
Type R	914 150 115* 38 12		18 With lids
Type R500	500 150 115 32 8		36 With lids
Type Z	475 685 345* 102 46		4
Sutton	610 585 305 133 78		8
7 x 9	760 175 215 68 28		8
ANDERTON 1	400 1000 750 292 226		1
ANDERTON 2	400 750 750 271 178		2
ANDERTON 3	400 500 750 245	142	2

* 2 lids per trough unit



Anderton
 CONCRETE PRODUCTS LTD



WWW.CABLEJOINTS.CO.UK
 THORNE & DERRICK UK
 TEL 0044 191 490 1547 FAX 0044 477 5371
 TEL 0044 117 977 4647 FAX 0044 977 5582
 WWW.THORNEANDDERRICK.CO.UK