

CF 54 CABLOFIL CABLE TRAY

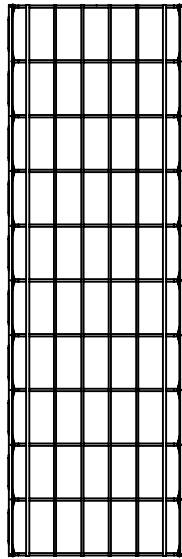
CABLOFIL®

INNOVATORS IN CABLE MANAGEMENT

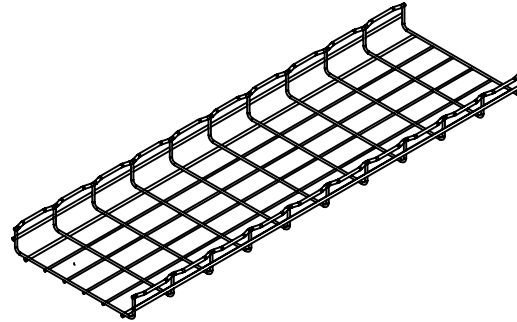
CABLE JOINTS, CABLE TERMINATIONS, CABLE GLANDS, CABLE CLEATS
FEEDER PILLARS, FUSE LINKS, ARC FLASH, CABLE ROLLERS, CUT-OUTS



11KV 33KV CABLE JOINTS & CABLE TERMINATIONS
FURSE EARTHING
www.cablejoints.co.uk
Thorne and Derrick UK
Tel 0044 191 490 1547 Fax 0044 191 477 5371
Tel 0044 117 977 4647 Fax 0044 117 9775582



TOP



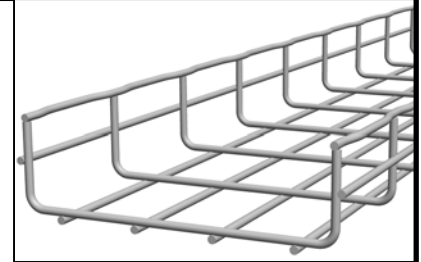
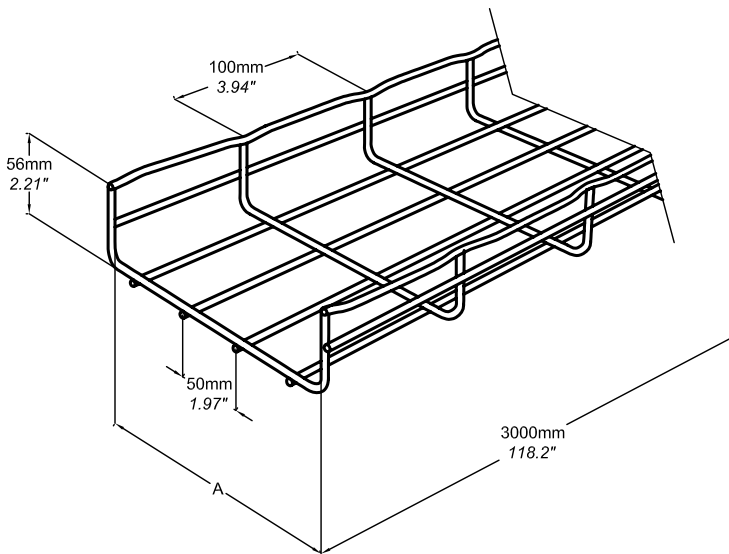
ISOMETRIC





FRONT



SIDE



			
	in	mm	lb
CF54 50	1.967	50	5.3
CF54 100	3.937	100	6.5
CF54 150	5.904	150	7.8
CF54 200	7.872	200	9.0
CF54 300	11.81	300	13.4
CF54 400	15.75	400	22.8
CF54 450	17.71	450	25
CF54 500	19.68	500	25.7
CF54 600	23.62	600	27.5

	Material	Finish
EZ	Carbon Steel ASTM A510 Grade 1008	Electroplated Zinc, ASTM B633
GC	Carbon Steel ASTM A510 Grade 1008	Hot-Dip Galvanized ASTM A123
304L	AISI TYPE 304L	Passivated ASTM A 380
316L	AISI TYPE 316L	Passivated ASTM A 380

EZ GC 304L 316L