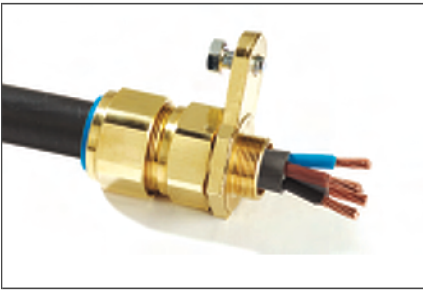


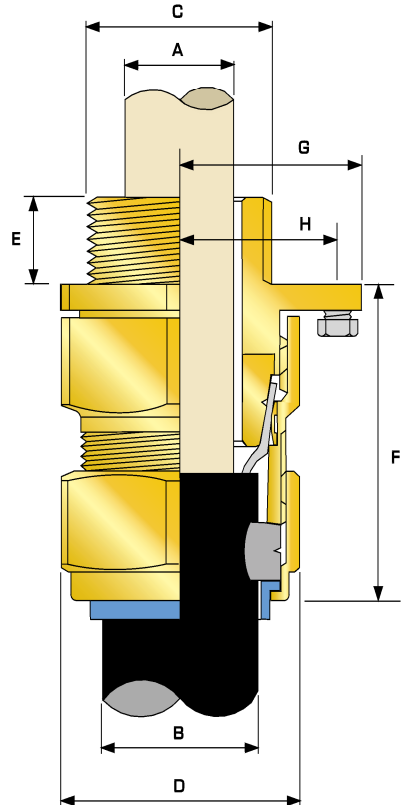
CW CIEL CABLE GLAND



CW-CIEL Industrial Cable Gland

Cable gland for use with all types of SWA cable providing an IP66 environmental seal onto the cable outer sheath. The cable gland being suitable for armoured cables, provides mechanical retention and electrical continuity via armour wire termination. The comes complete with CMP unique Cast Integral Earth Lug (CIEL) concept. This is particular suitable for H.V. systems where a high level of protection against fault currents is required.

TECHNICAL DATA	
Type	CW CIEL
Design Specification	BS 6121:Part 1:1989, EN 50262
EN 50262 Mechanical Classifications	Retention = Class B, Impact = Level 8,
EN 50262 Electrical Classifications	Category C
GOST R Certificate Number	POCC GB. ГБ05.H00110
GOST K Certificate Number	KZ7500052.05.01.00063
RoK Permit for Use Number	08-067693
Continuous Operating Temperature	-60°C to +150°C
Ingress Protection Rating	IP66
Standard Gland Material	Brass
Alternative Gland Material	Electroless Nickel Plated Brass, Aluminium
Seal Material	CMP Formulated Thermoplastic Elastomer
Cable Type	Single Wire Armour (SWA), Aluminium Wire Armour (AWA)
Armour Clamping	Detachable Armour Cone & AnyWay Universal Clamping Ring
Sealing Technique	Unique CMP "LRS"™ Outer Seal (Load Retention Seal)
Sealing Area(s)	Cable Outer Sheath
Optional Accessories	Adaptor/Reducer, Entry Thread Seal, Locknut, Serrated Washer, Shroud



Cable Gland Selection Table

Cable Gland Size	Entry Thread 'C'	Minimum Thread Length 'E'	Cable Bedding Diameter 'A'		Overall Cable Diameter 'B'		Armour Range †		Nominal Across Flats 'D'	Nominal Across Corners 'D'	Nominal Protrusion Length 'F'	Nominal Radius Dimension		CIEL Earth Bolt Size	Earth Fault Current Rating (kA)	Ordering Reference (Brass Metric)	PVC Shroud Reference*	Cable Gland Weight (Kgs)
			Max	Min	Min	Max	Min	Max				'H'	'G'					
20S	M20	10.0	11.7	9.5	15.9	0.9	1.25	24.0	26.6	58.5	48.0	38.6	M8	26.0	20SCWC1RA	PVC04	0.140	
20	M20	10.0	14.0	12.5	20.9	0.9	1.25	30.5	33.3	60.5	55.0	41.8	M8	26.0	20CWC1RA	PVC06	0.180	
25S	M25	10.0	20.0	14.0	22.0	1.25	1.6	37.5	40.5	67.5	60.0	-	M8	26.0	25SCWC1RA	PVC09	0.257	
25	M25	10.0	20.0	18.2	26.2	1.25	1.6	37.5	40.5	67.5	60.0	50.8	M8	26.0	25CWC1RA	PVC09	0.257	
32	M32	10.0	26.3	23.7	33.9	1.6	2.0	46.0	51.0	69.5	60.0	54.0	M10	26.0	32CWC1RA	PVC11	0.376	
40	M40	15.0	32.2	27.9	40.4	1.6	2.0	55.0	61.0	78.0	60.0	69.0	M12	26.0	40CWC1RA	PVC15	0.630	
50S	M50	15.0	38.2	35.2	46.7	2.0	2.5	60.0	66.5	75.5	62.0	75.0	M12	43.0	50SCWC1RA	PVC18	0.757	
50	M50	15.0	44.1	40.4	53.1	2.0	2.5	70.0	78.6	80.5	76.0	80.0	M12	43.0	50CWC1RA	PVC21	0.862	
63S	M63	15.0	50.0	45.6	59.4	2.0	2.5	75.0	83.2	91.5	76.0	90.0	M12	43.0	63SCWC1RA	PVC23	1.390	
63	M63	15.0	56.0	54.6	65.9	2.0	2.5	80.0	89.0	92.0	86.0	90.0	M12	43.0	63CWC1RA	PVC25	1.360	
75S	M75	15.0	62.0	59.0	72.1	2.0	2.5	89.0	101.6	99.0	88.0	97.0	M12	43.0	75SCWC1RA	PVC28	2.307	
75	M75	15.0	68.0	66.7	78.5	2.0	2.5	99.0	111.1	102.0	101.0	108.0	M12	43.0	75CWC1RA	PVC30	2.909	
90	M90	15.0	80.0	76.2	90.4	3.15	3.15	114.0	128.6	120.0	126.0	112.0	M12	43.0	90CWC1RA	PVC32	3.858	
100	M100	15.0	91.0	89.1	101.5	3.15	3.15	123.0	136.0	150.0	126.0	112.0	M12	43.0	100CWC1RA	150/50HST	4.958	
115	M115	15.0	98.0	101.3	110.3	3.15	3.15	133.4	147.8	170.0	126.0	112.0	M12	43.0	115CWC1RA	180/60HST	5.058	
130	M130	15.0	115.0	114.0	123.3	3.15	3.15	146.1	146.1	180.0	126.0	112.0	M12	43.0	130CWC1RA	180/60HST	6.158	

All dimensions in millimetres

Note: *LSF Shrouds also available on request. †Alternative armour clamping range available for non-standard armour sizes. Marine approvals including Lloyds, DNV & ABS are also available from CMP Products.