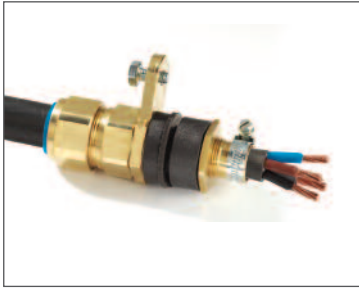
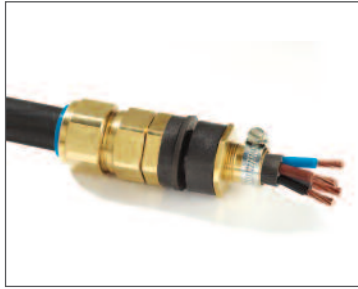


B327 ZEN CABLE GLAND



B350 ZEN CABLE GLAND

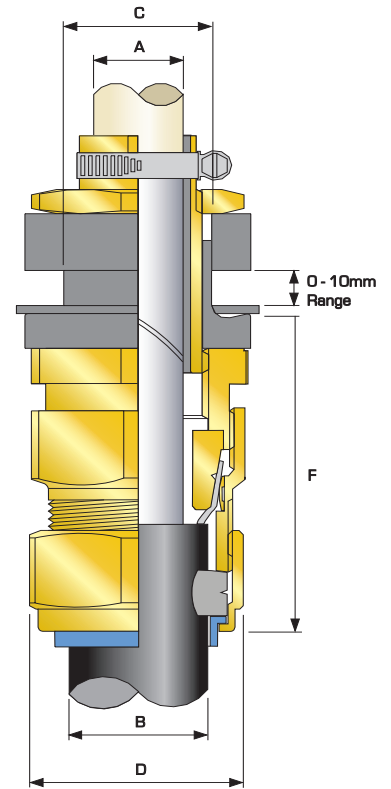


B327 & B350 ZEN Insulated Cable Gland

Cable gland for use with all types of cable providing an IP66 environmental seal onto the cable outer sheath. The cable gland being suitable for armoured cables, provides mechanical retention and electrical continuity via armour wire termination. The type B327 comes complete with CMP unique Cast Integral Earth Lug (CIEL) concept. This is particularly suitable for H.V. systems where a high level of protection against fault currents is required. This glanding concept effectively insulates the gland and cable armour from the equipment and eliminates system circulating currents. It is usual to install the type B327 at the supply end of the cable and the type B350 at the load end. This gland differs from the B324 type in that this gland also provides termination facilities for the cable copper tape screening.

TECHNICAL DATA

| | |
|-------------------------------------|--|
| Type | B327 / B350 |
| Design Specification | BS 6121:Part 1:1989, GDCD 190, EN 50262:1999 |
| EN 50262 Mechanical Classifications | Retention = Class B, Impact = Level 8, |
| EN 50262 Electrical Classifications | Category A without use of an Earth Tag, Category B with an Earth Tag & Category C with CIEL. |
| GOST R Certificate Number | POCC GB. ГБ05.H00110 |
| GOST K Certificate Number | KZ7500052.05.01.00063 |
| RoK Permit for Use Number | 08-067693 |
| Continuous Operating Temperature | -60°C to +150°C |
| Ingress Protection Rating | IP66 |
| Standard Gland Material | Brass |
| Alternative Gland Material | Electroless Nickel Plated Brass, Aluminium |
| Seal Material | CMP Formulated Thermoplastic Elastomer |
| Cable Type | Single Wire Armour (SWA), Aluminium Wire Armour (AWA) |
| Armour Clamping | Detachable Armour Cone & AnyWay Universal Clamping Ring |
| Sealing Technique | Unique CMP "LRS"™ Outer Seal (Load Retention Seal) |
| Sealing Area(s) | Cable Outer Sheath |
| Optional Accessories | Shroud, Earth Tag (B350 & A350 only) |



B350 Illustrated

Aluminium version available for AWA cables.
When ordering Please substitute letter B in B327 & B350 with letter A.

Please refer to catalogue page 102 for dimensional details of the CIEL feature included in the B327 and A327 designs

Cable Gland Selection Table

| Cable Gland Size | Clearance Hole Diameter 'C' | Cable Bedding Diameter 'A' | | Overall Cable Diameter 'B' | | Armour Range † | | Nominal Across Flats 'D' | Nominal Across Corners 'D' | Nominal Protrusion Length 'F' | Ordering Reference Brass With CIEL LUG (B327) | Ordering Reference Brass Without CIEL LUG (B350) | PVC Shroud Reference* | B327 Cable Gland Weight (Kgs) |
|------------------|-----------------------------|----------------------------|------|----------------------------|------|----------------|-------|--------------------------|----------------------------|-------------------------------|---|--|-----------------------|-------------------------------|
| | | Max | Min | Max | Min | Max | Max | | | | | | | |
| 20S | 20.5 | 11.7 | 9.5 | 15.9 | 0.9 | 1.25 | 24.0 | 26.6 | 58.0 | 20SB3271RA | 20SB3501RA | PVC03 | 0.187 | |
| 20 | 20.5 | 14.0 | 12.5 | 20.9 | 0.9 | 1.25 | 30.5 | 33.3 | 65.0 | 20B3271RA | 20B3501RA | PVC06 | 0.235 | |
| 25S | 25.5 | 20.0 | 14.0 | 22.0 | 1.25 | 1.6 | 37.5 | 40.5 | 70.0 | 25SB3271RA | 25SB3501RA | PVC09 | 0.334 | |
| 25 | 25.5 | 20.0 | 18.2 | 26.2 | 1.25 | 1.6 | 37.5 | 40.5 | 70.0 | 25B3271RA | 25B3501RA | PVC09 | 0.334 | |
| 32 | 32.5 | 26.3 | 23.7 | 33.9 | 1.6 | 2.0 | 46.0 | 51.0 | 70.0 | 32B3271RA | 32B3501RA | PVC11 | 0.458 | |
| 40 | 40.5 | 32.2 | 27.9 | 40.4 | 1.6 | 2.0 | 55.0 | 61.0 | 70.0 | 40B3271RA | 40B3501RA | PVC15 | 0.689 | |
| 50S | 50.5 | 38.2 | 35.2 | 46.7 | 2.0 | 2.5 | 60.0 | 66.5 | 72.0 | 50SB3271RA | 50SB3501RA | PVC18 | 0.863 | |
| 50 | 50.5 | 44.1 | 40.4 | 53.1 | 2.0 | 2.5 | 70.0 | 78.6 | 86.0 | 50B3271RA | 50B3501RA | PVC21 | 1.028 | |
| 63S | 63.5 | 50.0 | 45.6 | 59.4 | 2.0 | 2.5 | 75.0 | 83.2 | 86.0 | 63SB3271RA | 63SB3501RA | PVC23 | 1.589 | |
| 63 | 63.5 | 56.0 | 54.6 | 65.9 | 2.0 | 2.5 | 80.0 | 89.0 | 96.0 | 63B3271RA | 63B3501RA | PVC25 | 1.587 | |
| 75S | 75.5 | 62.0 | 59.0 | 72.1 | 2.0 | 2.5 | 89.0 | 101.6 | 98.0 | 75SB3271RA | 75SB3501RA | PVC28 | 2.229 | |
| 75 | 75.5 | 68.0 | 66.7 | 78.5 | 2.0 | 2.5 | 99.0 | 111.1 | 111.0 | 75B3271RA | 75B3501RA | PVC30 | 2.534 | |
| 90 | 90.5 | 80.0 | 76.2 | 90.4 | 3.15 | 3.15 | 114.0 | 128.6 | 136.0 | 90B3271RA | 90B3501RA | PVC32 | 4.204 | |

Note: *LSF Shrouds also available on request.