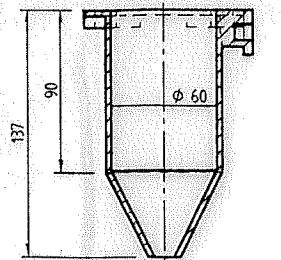
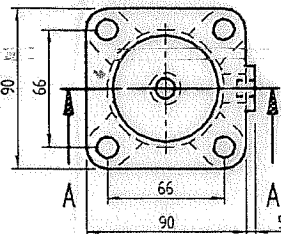


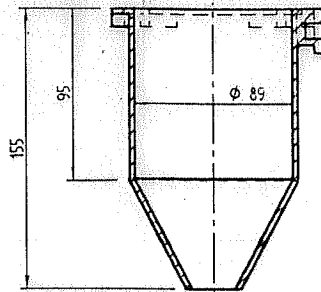
B1142/1 SIZE "X" SUITABLE FOR CABLE SHEATH DIAMETERS 12 - 51mm



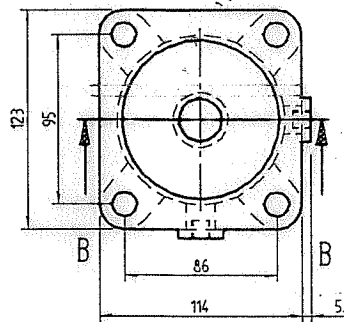
SECTION A-A



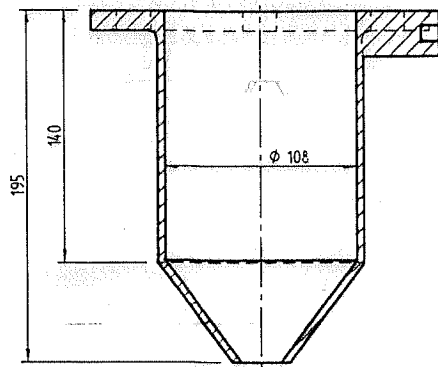
B1142/3 SIZE "Y" SUITABLE FOR CABLE SHEATH DIAMETERS 25 - 78mm



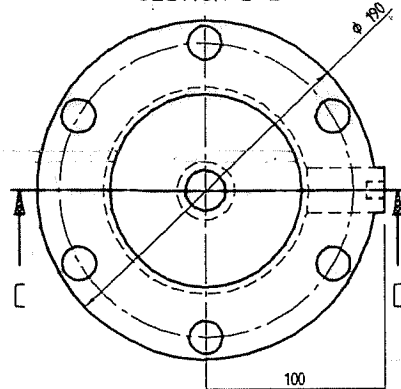
SECTION B-B



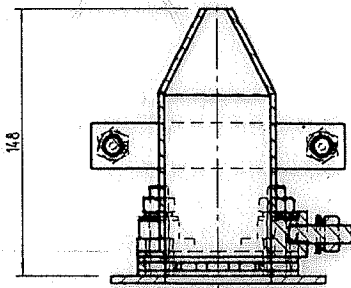
B1900 SIZE "Z" SUITABLE FOR CABLE SHEATH DIAMETERS 25 - 87mm



SECTION C-C

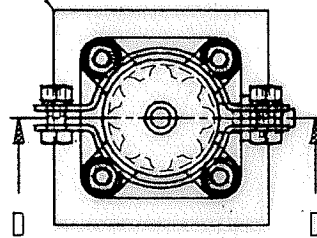


B3161 SIZE "X" INSULATED GLAND ASSEMBLY (UTILIZING INSULATING PLATE & BUSHES)

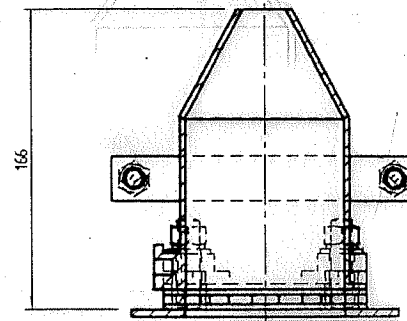


SECTION D-D

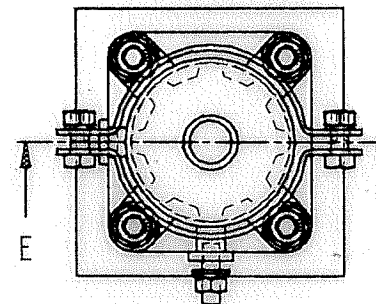
GLAND PLATE (SUPPLIED BY CABLE BOX MANUFACTURER)



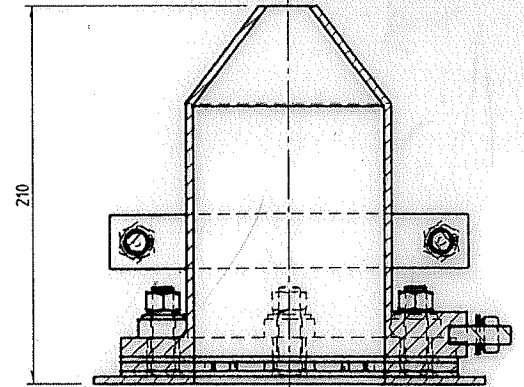
B2924 SIZE "Y" INSULATED GLAND ASSEMBLY (UTILIZING INSULATING PLATE & BUSHES)



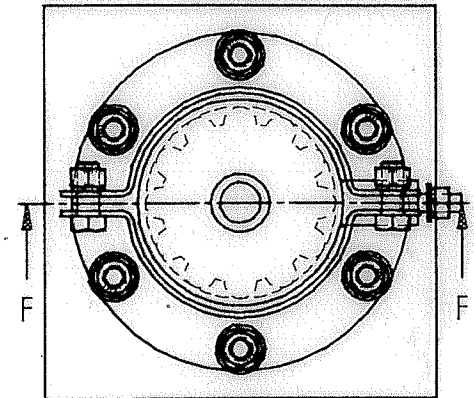
SECTION E-E



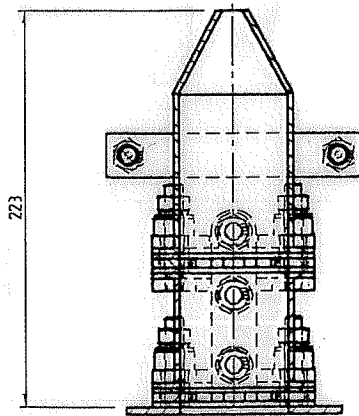
B4247 SIZE "Z" INSULATED GLAND ASSEMBLY (UTILIZING INSULATING PLATE & BUSHES)



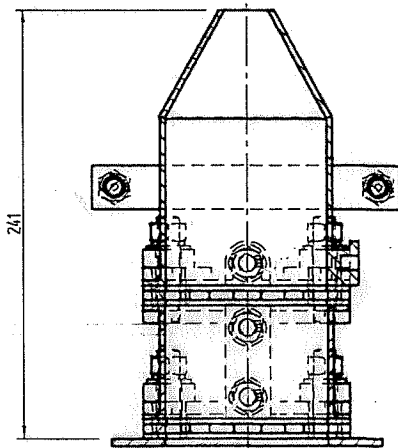
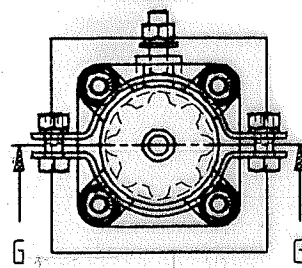
SECTION F-F



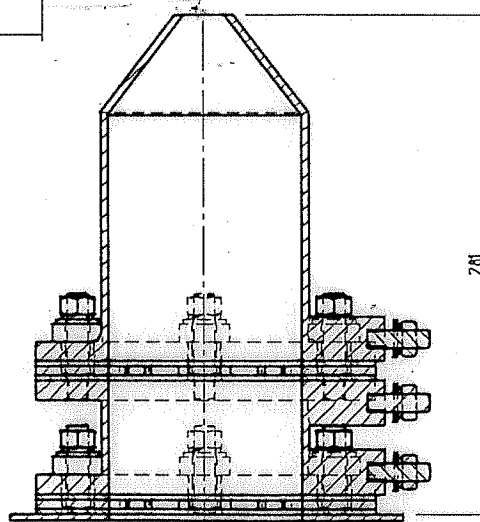
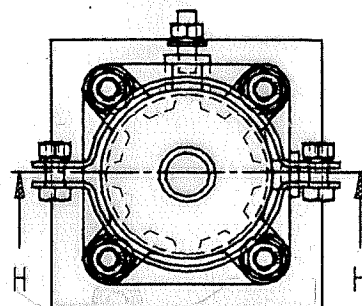
THE GLANDS, WHEN ASSEMBLED WITH THE LARGEST APPLICABLE DIAMETER CABLE IS CAPABLE OF WITHSTANDING FOR 1 MINUTE WITHOUT BREAKDOWN A VOLTAGE OF 2kV a.c. OR 5 kV d.c. BETWEEN THE GLAND AND THE ISLAND LAYER, AND BETWEEN THE ISLAND LAYER AND THE BOX WHEN FITTED WITH THE PLATE & BUSH TYPE INSULATION. WHERE MOULDED INSULATORS ARE USED, EACH INSULATOR WHEN ASSEMBLED WILL BE CAPABLE OF WITHSTANDING A d.c. TEST VOLTAGE OF 10kV FOR 1 MINUTE



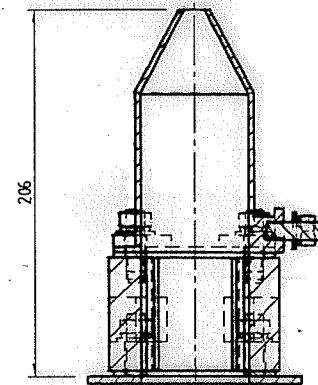
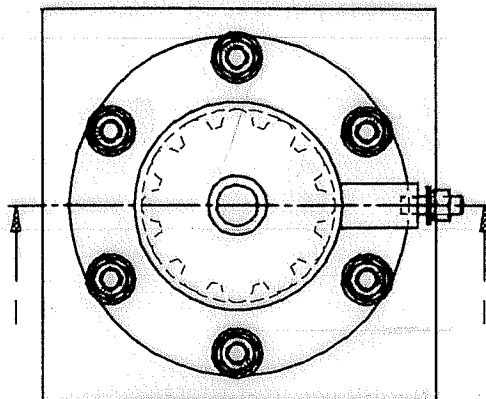
SECTION G-G



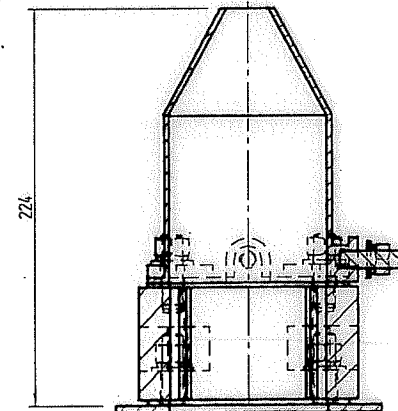
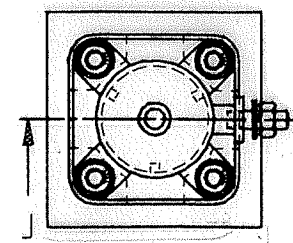
SECTION H-H



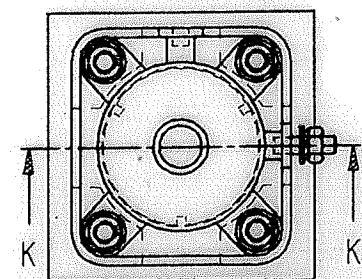
SECTION I-I



SECTION J-J



SECTION K-K



B5297 SIZE "X" INSULATED GLAND ASSEMBLY WITH ISLAND LAYER (UTILIZING INSULATING PLATE & BUSHES)

B5255 SIZE "Y" INSULATED GLAND ASSEMBLY WITH ISLAND LAYER (UTILIZING INSULATING PLATE & BUSHES)

B4017 SIZE "Z" INSULATED GLAND ASSEMBLY WITH ISLAND LAYER (UTILIZING INSULATING PLATE & BUSHES)

B7271 SIZE "X" INSULATED GLAND ASSEMBLY (UTILIZING MOULDED INSULATOR)

SIZE "Y" INSULATED GLAND ASSEMBLY (UTILIZING MOULDED INSULATOR)