



Product Guide



[WWW.CABLEJOINTS.CO.UK](http://WWW.CABLEJOINTS.CO.UK)  
**THORNE & DERRICK UK**  
TEL 0044 191 490 1547 FAX 0044 477 5371  
TEL 0044 117 977 4647 FAX 0044 977 5582  
[WWW.THORNEANDDERRICK.CO.UK](http://WWW.THORNEANDDERRICK.CO.UK)



Betaduct Ltd is the only UK manufacturer of PVC and LFH Control Panel Ducting and from our factory in Tewkesbury we export all over the world.

Our ethos is quite simple, produce the best product available, manufacture it to the highest of standards and work hard to obtain and maintain those standards and approvals expected of a high quality product. It is no accident that we are the only Ducting Manufacturer to have full London Underground Section 12 approval and amongst our many valued customers Rolls Royce specify our product exclusively for their naval applications.

In addition to our own Betaduct product we offer the most comprehensive range of cable management products either manufactured by ourselves or sold as the sole UK Importer. Within our portfolio we have the Nylofix range of conduit and fittings, the Iboco range of metric control panel ducting and last but not least the Betabraid V2 cable protection sleeving.

All of these products are available through a comprehensive network of quality "A" Class stocking distributors throughout the UK and Worldwide including Australia, New Zealand, North America, Sweden, Italy and Poland. In addition we are constantly breaking into new markets throughout Europe and the Middle East.

The following pages summarise our range and show the different products available, please contact our customer services personnel for any assistance you may require.



## Betaduct Index



### 4. Betaduct Products

- 5 - Open Slot
- 6 - Closed Slot
- 7 - Narrow Slot
- 8 - Solid Wall

- 9 - Accessories

### 10. Betaduct Noryl

- 11 - Open Slot
- 11 - Closed Slot
- 11 - Solid Wall

### 12. IBOCO

- 13 - T1
- 13 - T1-F
- 14 - T1-E
- 14 - T1-EF
- 15 - TD

- 15 - SEP-E
- 16 - CL
- 16 - Ductafix
- 16 - RT4/RT6
- 17 - DN-A

- 17 - Spiralite

### 18. Betabraid V2

### 19. Beta-Nylofix

- 21 - ECT Conduit
- 21 - IRT Conduit
- 22 - Cutting Tool
- 23 - MIR-M Straight
- 23 - LTC-M 45° Elbow
- 24 - NBC-M 90° Curved Elbow
- 24 - NEC-M 90° Elbow
- 25 - MIRM-M Straight
- 25 - LTMC-M 45° Elbow

- 26 - NBCM-M 90° Curved
- 26 - FER-M Straight
- 27 - MAR-M Strain Relief
- 27 - BTC 90° Elbow Flange
- 28 - TSD T Distributor
- 28 - YKD Y Distributor
- 29 - SDN Support
- 29 - BRM Clamp
- 30 - O Rings

- 30 - PLJ Seal Washers
- 31 - NORMANYL M
- 31 - NORMANYL PG

# Betaduct

## Product Range

Manufactured by skilled technicians in ENGLAND.

The Beta brand portfolio was established in order to supply industrial markets with high performance product where high levels of safety are demanded.

The resulting product range meets all industry standards including UL (Number ZODZ2.E161178) and Lloyd's accreditation. We are committed to continuous improvement and we regularly review key performance objectives focusing on Customer Satisfaction.

Betaduct Ltd is the only UK manufacturer of control panel ducting and the UK market leader. Betaduct is widely regarded as the industry standard in the Offshore, Rail and Underground markets.

Beta products are widely used in the Rail, Automotive, Marine and Power Generation industries. The range also includes specialist products with Low Fire Hazard (LFH) rating. All the products are fully RoHS compliant.

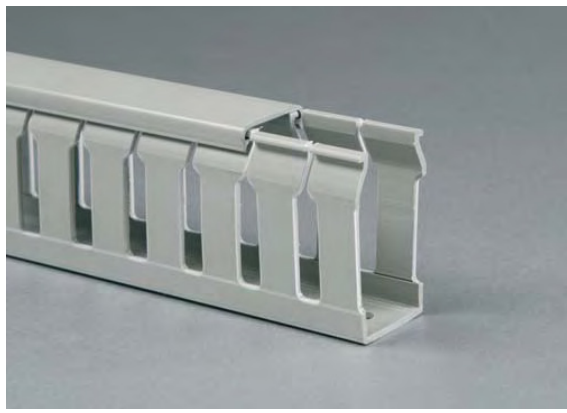
Available in various slot and colour configurations Betaduct is as versatile as our customers need.

Betaduct Noryl is the most highly specified product in the range and is used particularly in underground or confined spaces and where there is a risk of fire. See the special sector on Noryl for more details.

In addition to the clear edge that Beta products have over their competition, the company is committed to an ongoing research and product development programme.







# Betaduct - Open Slot Design

nominal size	external dimensions		part no. selection				carton quantity		
	W x H (mm)	width (mm)	height (mm)	grey RAL 7030PVC	white PVC	black PVC	blue PVC	no. of lengths 2m each	total metres
19 x 50	25	53	10450018	23610110	09800000	-	-	12	24
25 x 37.5	29	41	10450022	23610400	09810000	-	-	12	24
25 x 50	29	54	10450023	23610500	09130000	09136000	-	12	24
25 x 75	29	79	10450024	23610600	09140000	09146000	-	8	16
25 x 100	30	105	10450025	23610700	09830000	09836000	-	8	16
37.5 x 37.5	41	41	10450032	23610900	09840000	-	-	12	24
37.5 x 50	41	54	10450033	23611000	09850000	09856000	-	8	16
37.5 x 75	39	79	10450034	23611100	09860000	09866000	-	8	16
37.5 x 100	43	105	10450035	23611200	09870000	09876000	-	8	16
50 x 25	54	28	10450051	23611300	09880000	-	-	12	24
50 x 37.5	54	41	10450052	23611400	09890000	-	-	8	16
50 x 50	54	54	10450053	23611500	09160000	09166000	-	8	16
50 x 75	55	79	10450054	23611600	09170000	09176000	-	8	16
50 x 100	56	105	10450055	23611700	09920000	09926000	-	4	8
75 x 37.5	80	41	10450072	23611800	09930000	-	-	8	16
75 x 50	78	54	10450073	23611900	09940000	-	-	8	16
75 x 75	80	80	10450074	23612000	09190000	09196000	-	8	16
75 x 100	80	105	10450075	23612100	09960000	09966000	-	4	8
100 x 50	107	54	10450103	23612400	09980000	-	-	4	8
100 x 75	107	80	10450104	23612500	09990000	09996000	-	4	8
100 x 100	107	104	10450105	23612600	10000000	10006000	-	4	8
100 x 125	107	130	10450106	23613000	10010000	-	-	4	8
125 x 75	131	78	10450124	23612900	09410000	-	-	4	8

## KEY INFORMATION

### MATERIALS

Self extinguishing PVC

### SERVICE TEMPERATURE

-15°C to +60°C (+5°F to +140°F)

### STANDARDS

Base slots to DIN 43659

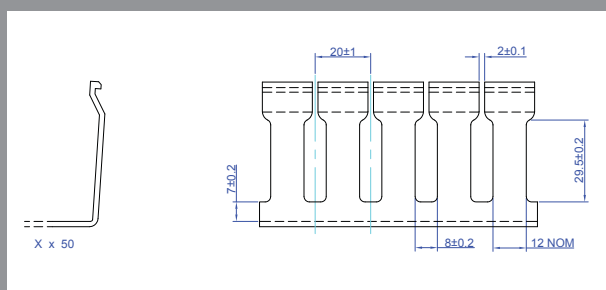
### FLAMMABILITY

UL94 V-0 rated material

### APPROVALS

UL and Lloyds Register

RoHS compliant



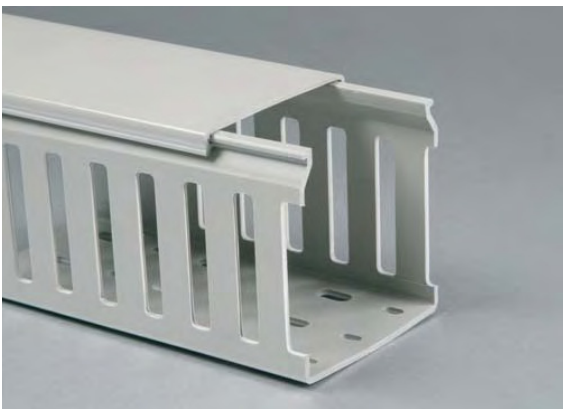
## TECHNICAL INFORMATION

- Wide fingers give additional cable support
- Terminated wires can be re-routed easily
- 20mm slot pitch
- 8mm slot width
- 23 sizes available in grey, white, black or blue
- UL and Lloyds Register approved
- RoHS compliant

Other sizes may be available upon request, please contact the sales office for minimum quantities and lead times.

These are non-stock items and may require minimum order quantities. Please contact our sales office for availability and price.

The use of Betaduct Rivets is strongly recommended for the installation of all types of Betaduct



# Betaduct - Closed Slot Design

nominal size	external dimensions		part no. selection				carton quantity	
	W x H (mm)	width (mm)	height (mm)	grey RAL 7030PVC	white PVC	black PVC	blue PVC	no. of lengths 2m each
15 x 15	17	17	10460011	23600100	09000000	-	24	48
19 x 50	25	53	10460018	23600110	09500000	-	12	24
25 x 20	29	23	10460021	23600200	09010000	-	12	24
25 x 37.5	29	41	10460022	23600400	09510000	-	12	24
25 x 50	29	54	10460023	23600500	09030000	-	12	24
25 x 75	29	79	10460024	23600600	09040000	-	8	16
25 x 100	30	105	10460025	23600700	09530000	-	8	16
37.5 x 37.5	41	41	10460032	23600900	09540000	-	12	24
37.5 x 50	41	54	10460033	23601000	09550000	-	8	16
37.5 x 75	41	79	10460034	23601100	09560000	-	8	16
37.5 x 100	43	105	10460035	23601200	09570000	-	8	16
50 x 25	54	28	10460051	23601300	09380000	-	12	24
50 x 37.5	54	41	10460052	23601400	09590000	-	8	16
50 x 50	54	54	10460053	23601500	09060000	-	8	16
50 x 75	55	79	10460054	23601600	09070000	-	8	16
50 x 100	56	105	10460055	23601700	09620000	-	4	8
75 x 37.5	80	41	10460072	23601800	09630000	-	8	16
75 x 50	78	54	10460073	23601900	09640000	-	8	16
75 x 75	80	80	10460074	23602000	09090000	-	8	16
75 x 100	80	105	10460075	23602100	09660000	-	4	8
100 x 50	107	54	10460103	23602400	09680000	-	4	8
100 x 75	107	80	10460104	23602500	09690000	-	4	8
100 x 100	107	104	10460105	23602600	09700000	-	4	8
100 x 125	107	130	10460106	23603000	09710000	-	4	8
125 x 75	131	78	10460124	23602900	09400000	-	4	8

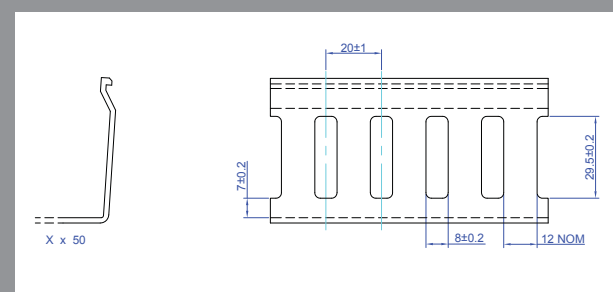
## KEY INFORMATION

- MATERIALS**  
Self extinguishing PVC
- SERVICE TEMPERATURE**  
-15°C to +60°C (+5°F to +140°F)
- STANDARDS**  
Base slots to DIN 43659
- FLAMMABILITY**  
UL94 V-0 rated material
- APPROVALS**  
UL & Lloyds Register
- RoHS compliant



## TECHNICAL INFORMATION

- Excellent cable retention
- Enhanced protection for installers
- 20mm slot pitch
- 8mm slot width
- 24 sizes available in grey, white or black
- UL and Lloyds Register approved
- RoHS compliant



Other sizes may be available upon request, please contact the sales office for minimum quantities and lead times.

These are non-stock items and may require minimum order quantities. Please contact our sales office for availability and price.

The use of Betaduct Rivets is strongly recommended for the installation of all types of Betaduct



# Betaduct - Narrow Slot Design

nominal size	external dimensions		part no. selection				carton quantity		
	W x H (mm)	width (mm)	height (mm)	grey RAL 7030PVC	white PVC	black PVC	blue PVC	no. of lengths 2m each	total metres
19 x 50	25	53	10470018	23630110	10490018	-	-	12	24
25 x 37.5	29	41	10470022	23630400	10490022	-	-	12	24
25 x 50	29	54	10470023	23630500	10490023	-	-	12	24
25 x 75	29	79	10470024	23630600	10490024	-	-	8	16
25 x 100	30	105	10470025	23630700	10490025	-	-	8	16
37.5 x 37.5	41	41	10470032	23630900	10490032	-	-	12	24
37.5 x 50	41	54	10470033	23631000	10490033	-	-	8	16
37.5 x 75	41	79	10470034	23631100	10490034	-	-	8	16
37.5 x 100	43	105	10470035	23631200	10490035	-	-	8	16
50 x 37.5	56	41	10470052	23631400	10490052	-	-	8	16
50 x 50	54	54	10470053	23631500	10490053	-	-	8	16
50 x 75	55	79	10470054	23631600	10490054	-	-	8	16
50 x 100	56	105	10470055	23631700	10490055	-	-	4	8
75 x 37.5	80	40	10470072	23631800	10490072	-	-	8	16
75 x 50	78	54	10470073	23631900	10490073	-	-	8	16
75 x 75	80	80	10470074	23632000	10490074	-	-	8	16
75 x 100	80	105	10470075	23632100	10490075	-	-	4	8
100 x 50	107	54	10470103	23632400	10490103	-	-	4	8
100 x 75	107	80	10470104	23632500	10490104	-	-	4	8
100 x 100	107	104	10470105	23632600	10490105	-	-	4	8

## KEY INFORMATION

### MATERIALS

Self extinguishing PVC

### SERVICE TEMPERATURE

-15°C to +60°C (+5°F to +140°F)

### STANDARDS

Base slots to DIN 43659

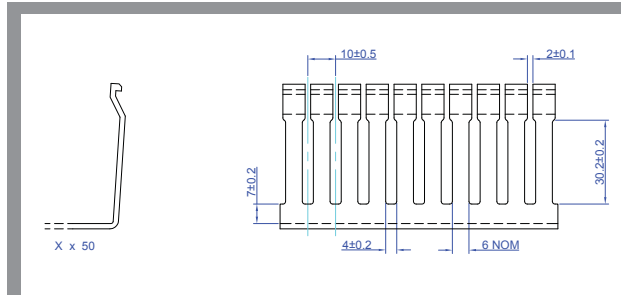
### FLAMMABILITY

UL94 V-0 rated material

### APPROVALS

UL & Lloyds Register

RoHS compliant



## TECHNICAL INFORMATION

- Ideal for use with slimmer terminal blocks where more access is required
- Improves appearance of panels with cables out in best position
- 10mm slot pitch
- 4mm slot width
- 18 sizes available in grey, white or black
- UL and Lloyds Register approved
- RoHS compliant

Other sizes may be available upon request, please contact the sales office for minimum quantities and lead times.

These are non-stock items and may require minimum order quantities. Please contact our sales office for availability and price.

The use of Betaduct Rivets is strongly recommended for the installation of all types of Betaduct



## Betaduct - Solid Wall Design

nominal size	external dimensions		part no. selection				carton quantity		
	W x H (mm)	width (mm)	height (mm)	grey RAL 7030PVC	white PVC	black PVC	blue PVC	no. of lengths 2m each	total metres
15 x 15	17	17	10480011	23620100	09200000	-	-	24	48
19 x 50	25	53	10480018	23620110	10100000	-	-	12	24
25 x 20	29	23	10480021	23620200	09210000	-	-	12	24
25 x 37.5	29	41	10480022	23620400	10110000	-	-	12	24
25 x 50	29	54	10480023	23620500	09230000	-	-	12	24
25 x 75	29	79	10480024	23620600	09240000	-	-	8	16
25 x 100	29	105	10480025	23620700	10130000	-	-	24	48
37.5 x 37.5	41	41	10480032	23620900	10140000	-	-	12	24
37.5 x 50	41	54	10480033	23621000	10150000	-	-	8	16
37.5 x 75	41	79	10480034	23621100	10160000	-	-	8	16
37.5 x 100	43	105	10480035	23621200	10170000	-	-	8	16
50 x 25	54	28	10480051	23621300	10180000	-	-	12	24
50 x 37.5	54	41	10480052	23621400	10190000	-	-	8	16
50 x 50	54	54	10480053	23621500	09260000	-	-	8	16
50 x 75	55	79	10480054	23621600	09270000	-	-	8	16
50 x 100	56	105	10480055	23621700	10220000	-	-	4	8
75 x 37.5	80	41	10480072	23621800	10230000	-	-	8	16
75 x 50	78	54	10480073	23621900	10240000	-	-	8	16
75 x 75	80	80	10480074	23622000	09290000	-	-	8	16
75 x 100	80	105	10480075	23622100	10260000	-	-	4	8
100 x 50	107	54	10480103	23622400	10280000	-	-	4	8
100 x 75	107	80	10480104	23622500	10290000	-	-	4	8
100 x 100	107	104	10480105	23622600	10300000	-	-	4	8
100 x 125	107	130	10480106	23623000	10310000	-	-	4	8
125 x 75	131	78	10480124	23622900	09420000	-	-	4	8

### KEY INFORMATION

#### MATERIALS

Self extinguishing PVC

#### SERVICE TEMPERATURE

-15°C to +60°C (+5°F to +140°F)

#### STANDARDS

Base slots to DIN 43659

#### FLAMMABILITY

UL94 V-0 rated material

#### APPROVALS

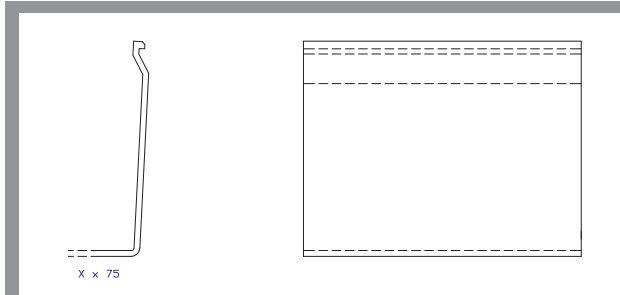
UL & Lloyds Register

RoHS compliant



### TECHNICAL INFORMATION

- Ideal where no break-outs are required or side wall access is infrequent
- Complete cable protection
- 23 sizes available in grey, white or black
- UL and Lloyds Register approved
- RoHS compliant

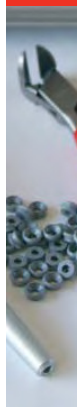
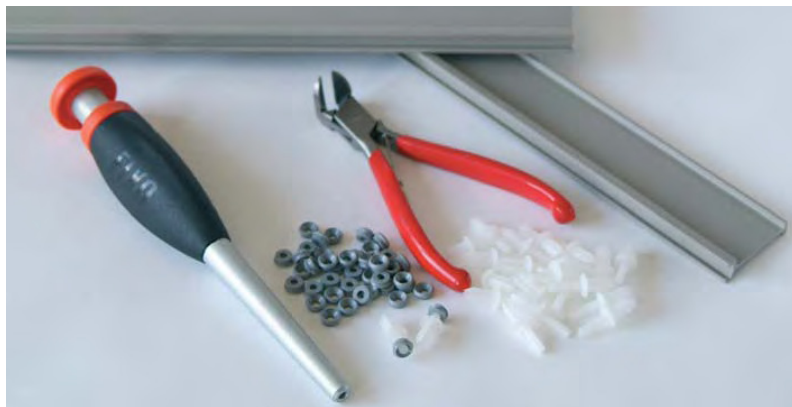


Other sizes may be available upon request, please contact the sales office for minimum quantities and lead times.

These are non-stock items and may require minimum order quantities. Please contact our sales office for availability and price.

**The use of Betaduct Rivets is strongly recommended for the installation of all types of Betaduct**





# Betaduct - Accessories

## Betaduct Lids

duct width (mm)	part no. selection				carton quantity	
	grey RAL 7030 PVC	white PVC	black PVC	blue PVC	no. of lengths 2m each	total metres
15	10450001	23650001	09310000	-	12	24
19	10450019	23650019	09310019	-	12	24
25	10450002	23650003	09330000	09336000	12	24
37.5	10450003	23650004	09320000	10456003	12	24
50	10450004	23650005	09430000	09340000	12	24
75	10450005	23650006	09350000	09356000	12	24
100	10450006	23650007	09360000	10456006	6	12
125	10450007	23650008	09370000	-	6	12



## Betaduct Dividers - For mounting on insulating washers

duct height (mm)	part no. selection				carton quantity	
	grey RAL 7030 PVC	white PVC	black PVC	blue PVC	no. of lengths 2m each	total metres
50	10450009	23620010	10390000	10396000	4	8
75	10450010	23650011	10400000	10406000	4	8

## Rivets

duct height (mm)	part no.	carton quantity
	standard colour	amount per box
15 x 15	10490000	100
other sizes	10500000	100

## Riveter

part no.	carton quantity
standard colour	amount per box
18580000	1

## Side Cutters

part no.	carton quantity
standard colour	amount per box
18570000	1

## Insulating Washers

part no.	carton quantity
standard colour	amount per box
10440000	50



The use of Betaduct Rivets is strongly recommended for the installation of all types of Betaduct

# Betaduct LFH Noryl

## Product Range

High Performance in Harsh Environments.

Betaduct Noryl is manufactured from high grade LS175 Noryl, which is a modified polymer manufactured by SABIC Innovative Plastics Ltd. Noryl is Halogen free and has excellent low smoke characteristics, no other manufacturer extrudes ducting from this grade of Noryl and no other manufacturer is specified or approved to the degree of Betaduct Noryl.

All plastics will burn if the temperature is high enough. PVC has a self extinguishing property by releasing chlorine gas; this is soluble in moisture forming Hydrochloric acid, which in turn destroys electronics and circuitry. In addition it is poisonous and can be fatal in enclosed environments. Betaduct Noryl however forms a protective charred intumescent surface layer, which does not produce any Halogen gases or toxic fumes. It also carries a V-0 rating for flammability approved by UL Laboratories. In addition it will not burn below 350 degrees Centigrade, which is higher than the LSOH cables that sit in the trunking.

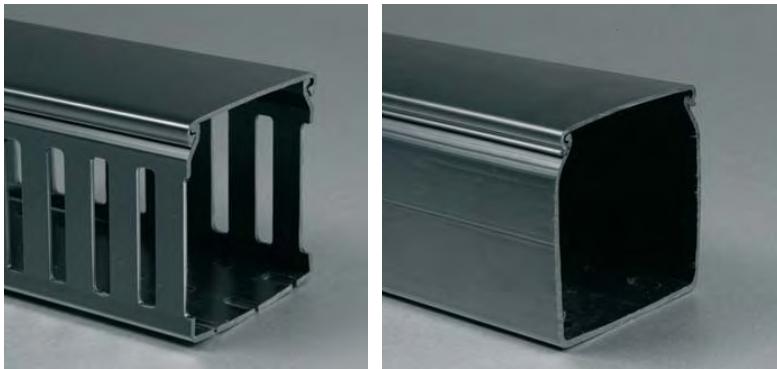
Because of Betaduct Noryl's unique properties and characteristics the major specifying bodies will only accept it on certain applications. London Underground Ltd. and Rolls Royce will only accept Betaduct Noryl in any underground or marine application.

Betaduct Noryl can be found in London Underground, Hong Kong Mass Transit, New York Metro, Dubai Metro, Singapore Mass Transit, and many railway rolling stock vehicles throughout Europe.

Betaduct Noryl is the only Ducting to be found in Submarines and Naval surface vessels in use in the British Navy.



# Betaduct - LFH Noryl Zero Halogen



## KEY INFORMATION

### MATERIALS

Self extinguishing Noryl Xtra, Zero Halogen, low smoke

### SERVICE TEMPERATURE

-30°C to +120°C (-22°F to +248°F)

### STANDARDS

Base slots to DIN 43659

### FLAMMABILITY

UL94 V-0 rated material

### APPROVALS

UL & Lloyds Register, RoHS compliant

## TECHNICAL INFORMATION

- Choice of open, closed or solid wall
- Wide range of sizes
- 19mm slot pitch
- Available in black
- 8mm slot width
- UL and Lloyds Register approved
- Zero Halogen
- RoHS compliant
- Low smoke

## Betaduct Noryl Lids

duct width	part no. selection	carton quantity	
(mm)	black noryl	no. of lengths 2m each	total metres
25	23481000	12	24
50	23482000	12	24
75	23483000	12	24

nominal size	external dimensions		part no. selection			carton quantity	
	W x H (mm)	width (mm)	height (mm)	black open slot	black closed slot	black solid wall	no. of lengths 2m each
25 x 37.5	29	38	23461000	23451000	23471000	12	24
25 x 50	29	54	23462000	23452000	23472000	12	24
25 x 75	29	79	23463000	23453000	23473000	8	16
50 x 37.5	54	38	23460300	23450300	23470300	8	16
50 x 50	54	54	23464000	23454000	23474000	8	16
50 x 75	55	79	23465000	23455000	23475000	8	16
75 x 75	80	80	23466000	23456000	23476000	8	16



These are non-stock items and may require minimum order quantities. Please contact our sales office for availability and price.



# Iboco

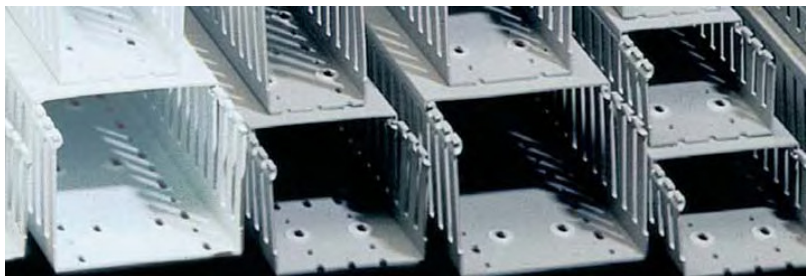
## Product Range

Iboco is a metric standard control panel ducting featuring excellent assembly functionality and is ideal for any type of power and control panel where performance remains unaltered over time, even under the heaviest operating conditions. Available in open, closed and narrow slot configurations Iboco also has an impressive range of accessories to enhance the user friendly package.

Iboco has obtained the NATO MANUFACTURER CODE (A5536) from the Ministry of Defence, Central Military Procurement Office, and is listed in the "15-H4 Publication".

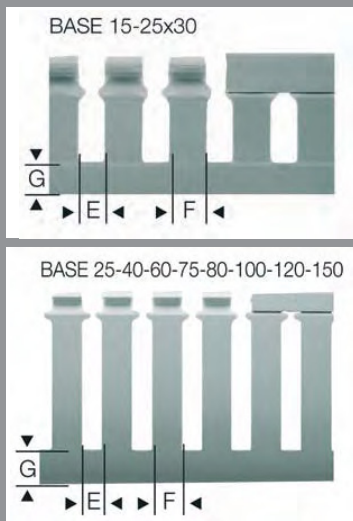






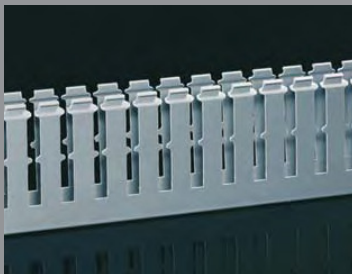
### TECHNICAL INFORMATION - T1

This panel duct is ideal for wiring large sized cables usually used in control panels. It has a strong construction and maximum application stability. Available in a wide range of heights for space optimization inside the electrical panel.



### TECHNICAL INFORMATION - T1-F

Finger narrowing for easier vertical wiring before the cover is mounted, for correct wire positioning and circuit separation.



### T1 Duct Series

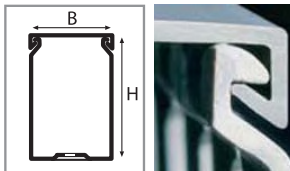
Material: Rigid PVC, self extinguishing

Standard Length: 2 meters

Colour: GREY RAL 7030, WHITE NCS

Standard unite supplied: Duct with cover

Reference	Dimensions information (mm)						Packing
	Part number	B	H	E	F	G	
T1 15x18 G	15	18	5	7.5	4	200	72
T1 15x30 G	15	30	5	7.5	6	340	64
T1 25x30 G/W/BL	25	30	5	7.5	8	610	72
T1 15x40 G*	15	40	5	7.5	10	460	48
T1 25x40 G	25	40	8	12	12	820	72
T1 40x40 G/W	40	40	8	12	12	1360	40
T1 60x40 G/BL	60	40	8	12	12	1970	24
T1 80x40 G	80	40	8	12	12	2680	24
T1 100x40 G	100	40	8	12	12	3380	16
T1 15x60 G	15	60	5	7.5	10	680	32
T1 25x60 G/W/BL	25	60	8	12	14	1190	48
T1 40x60 G/W/BL	40	60	8	12	14	2040	36
T1 60x60 G/W/BL	60	60	8	12	14	3080	24
T1 80x60 G/W	80	60	8	12	14	4150	24
T1 100x60 G/W	100	60	8	12	14	5250	16
T1 120x60 G	120	60	8	12	14	6300	16
T1 25x80 G/W	25	80	8	12	16	1550	48
T1 40x80 G/W	40	80	8	12	16	2700	32
T1 60x80 G/W/BL	60	80	8	12	16	4140	24
T1 80x80 G/W/BL	80	80	8	12	16	5660	24
T1 100x80 G/W	100	80	8	12	16	7150	16
T1 120x80 G	120	80	8	12	16	8630	16
T1 25x100 G/W*	25	100	8	12	18	3310	16
T1 40x100 G/W	40	100	8	12	18	3310	26
T1 60x100 G/W	60	100	8	12	18	5140	8
T1 80x100 G/W	80	100	8	12	18	7020	8
T1 100x100 G/W/BL	100	100	8	12	18	8920	8
T1 150x100 G/W	150	100	8	12	18	13570	8
T1 75x125 G/W	75	125	8	12	20	8398	12
T1 100x125 G/W	100	125	8	12	20	11415	8



### T1-F Duct Series

Material: Rigid PVC, self extinguishing

Standard Length: 2 meters

Colour: GREY RAL 7030

Standard unite supplied: Duct with cover

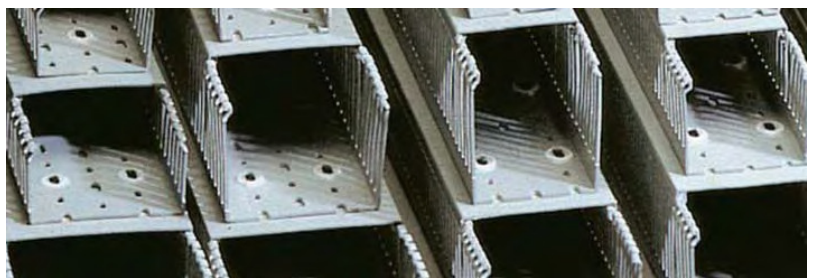
Reference	Dimensions information (mm)						Packing
	Part number	B	H	E	F	G	
T1-F 25x80 G	25	80	8	12	16	1550	48
T1-F 40x80 G	40	80	8	12	16	2700	32
T1-F 60x80 G	60	80	8	12	16	4140	24
T1-F 80x80 G	80	80	8	12	16	5660	24
T1-F 100x80 G	100	80	8	12	16	7150	16
T1-F 120x80 G	120	80	8	12	16	8630	16
T1-F 40x100 G	40	100	8	12	16	3310	16
T1-F 60x100 G	60	100	8	12	16	5140	8
T1-F 80x100 G	80	100	8	12	16	7020	8
T1-F 100x100 G	100	100	8	12	16	8920	8
T1-F 150x100 G	150	100	8	12	16	13570	8

G = GREY RAL 7030    W = WHITE NCS    BL = BLUE RAL 5015

\* = Available on request

# Iboco

## T1-E and T1-EF

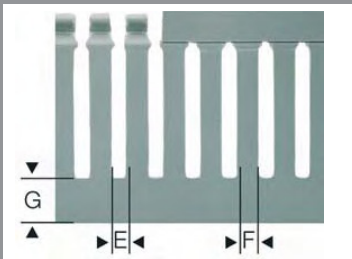


### TECHNICAL INFORMATION

This duct is commonly employed in electric and electronic control panels. This duct with restricted slot opening is strong and robust due to its thick base and side construction. Perfect solidity is also guaranteed in cantilevered applications.

Made of material with more than 3000NPa modules of elasticity, it allows for repeated opening and closing of the duct fingers during wiring operations even at low temperature without breaking.

Maximum accuracy and standardisation in series installations is achieved due to close design tolerance.



Two predetermined break lines:

- For breaking off and removal of sidewall finger segments only.
- For removal of sidewall finger and base segments.



Patented recess boss for rapid mounting of components.

Duct bottom perforation according to DIN 43659. The bottom perforation of the cable duct series T1 and T1-E allows mounting on panel with DUCTAFIX R6 or R4 or on DIN rails. The recess bosses in the base of the duct allow rapid mounting of components CL, ZP2 AND SEP-E inside the cable duct.

### T1-E Duct Series

Material: Rigid PVC, self extinguishing

Standard Length: 2 meters

Colour: GREY RAL 7030

Standard unite supplied: Duct with cover

Reference	Dimensions information (mm)						Packing
	Part number	B	H	E	F	G	
T1-E 25x40 G	25	40	4	6	12	820	72
T1-E 40x40 G	40	40	4	6	12	1360	40
T1-E 60x40 G	60	40	4	6	12	1970	24
T1-E 80x40 G	80	40	4	6	12	2680	24
T1-E 100x40 G	100	40	4	6	12	3380	16
T1-E 25x60 G	25	60	4	6	14	1190	48
T1-E 40x60 G	40	60	4	6	14	2040	36
T1-E 60x60 G	60	60	4	6	14	3080	24
T1-E 80x60 G	80	60	4	6	14	4150	24
T1-E 100x60 G	100	60	4	6	14	5250	16
T1-E 120x60 G	120	60	4	6	14	6300	16
T1-E 25x80 G	25	80	4	6	16	1550	48
T1-E 40x80 G	40	80	4	6	16	2700	32
T1-E 60x80 G	60	80	4	6	16	4140	24
T1-E 80x80 G	80	80	4	6	16	5660	24
T1-E 80x80 G	100	80	4	6	16	7150	16
T1-E 120x80 G	120	80	4	6	16	8630	16
T1-E 100x100 G	100	100	4	6	18	8920	8

### T1-EF Duct Series

Material: Rigid PVC, self extinguishing

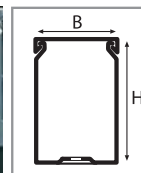
Standard Length: 2 meters

Colour: GREY RAL 7030

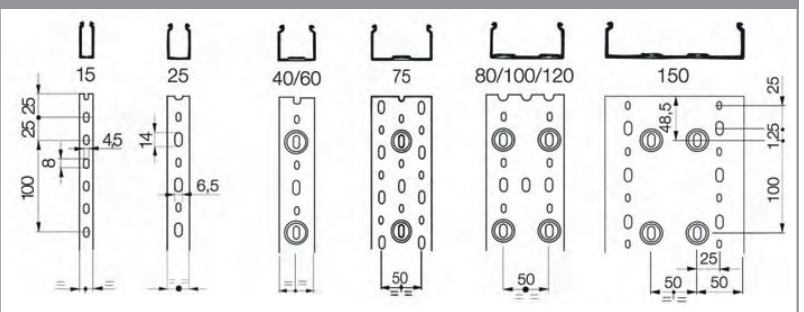
Standard unite supplied: Duct with cover

Reference	Dimensions information (mm)						Packing
	Part number	B	H	E	F	G	
T1-EF 25x80 G	25	80	4	6	16	1550	48
T1-EF 40x80 G	40	80	4	6	16	2700	32
T1-EF 60x80 G	60	80	4	6	16	4140	24
T1-EF 80x80 G	80	80	4	6	16	5660	24
T1-E 100x80 G	100	80	4	6	16	7150	16
T1-E 120x80 G	120	80	4	6	16	8630	16
T1-E 100x100 G	100	100	4	6	16	8920	8

G = GREY RAL 7030



### T1/T1-E/T1-F/T1-EF Bottom perforation



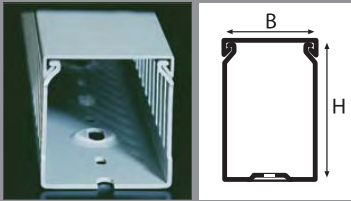
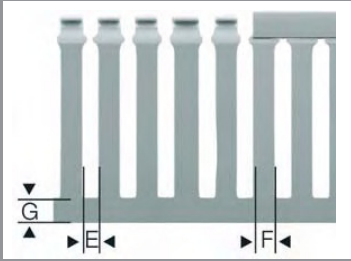


### TECHNICAL INFORMATION - TD

The duct features a 12, 5 module according to DIN 43659 and CEI 23-22 standards which is particularly suitable for use with other DIN 12, 5 equipment for perfect size interfacing.

Optimised duct size/wire retention ratio and perfectly rounded finger edges for safe operations even in installations with difficult access.

Repeated opening and closing of the fingers during wiring operations is possible due to their size and resilience.



The TD line features an innovative coupling. Reliability and functionality of this line in any type of application are further enhanced by this new solution, even in panels subject to high thermal and dynamic stress.

### TECHNICAL INFORMATION - SEP-E

SEP-E Allows the physical separation with different voltages and /or functions. The various mounting arrangements of SEP-E allows alternate compartmentation of duct and differing ratios of usable section.

### TD Duct Series

Material: Rigid PVC, self extinguishing

Standard Length: 2 meters

Colour: GREY RAL 7030

Standard unite supplied: Duct with cover

Reference	Dimensions information (mm)						Packing
	Part number	B	H	E	F	G	
TD 25x25 G	25	25	5	7.5	7	460	48
TD 37.5x25 G	37.5	25	5	7.5	7	660	64
TD 50x37.5 G	50	37.5	5	7.5	10	1490	24
TD 25x50 G	25	50	5	7.5	11	990	48
TD 37.5x50 G	37.5	50	5	7.5	11	1500	24
TD 50x50 G	50	50	5	7.5	11	2060	24
TD 75x50 G	75	50	5	7.5	11	3200	24
TD 100x50 G	100	50	5	7.5	11	4330	16
TD 125x50 G	125	50	5	7.5	11	5370	16
TD 37.5x75 G	37.5	75	5	7.5	13	2330	24
TD 50x75 G	50	75	5	7.5	13	3200	24
TD 75x75 G	75	75	5	7.5	13	4940	16
TD 100x75 G	100	75	5	7.5	13	6650	16
TD 125x75 G	125	75	5	7.5	13	8310	12
TD 75x125 G	75	75	5	7.5	20	8398	12
TD 100x125 G	100	75	5	7.5	29	11415	8

G = GREY RAL 7030



### SEP-E

Material: Rigid PVC, self extinguishing

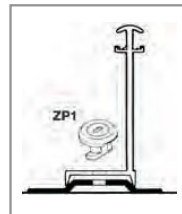
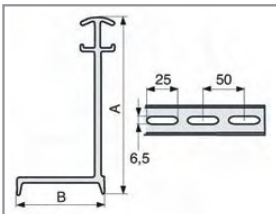
Standard Length: 2 meters

Colour: GREY RAL 7030

Reference	Dimensions information (mm)	Packaging (meters)	
		SEP-E	DF-E
SEP-E 40	40	64	40
SEP-E 60	60	40	24
SEP-E 80	80	24	16

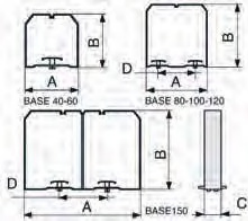
Reference	Dimensions	
	A	B
SEP-E 40	33	23
SEP-E 60	52	23
SEP-E 80	72	23





# Iboco

## CL, Ductafix and RT4 - RT6



### TECHNICAL INFORMATION - CL

CL wire retainers are available in a totally new shape to meet the most sophisticated wire holding requirements.

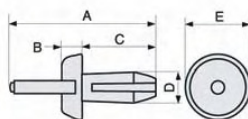
Made of PVC for a better surface finishing and excellent dynamic resistance, LC feature an exclusive and patented system – with in-built anchoring element (ZP1) – for faster installation allowing it to be repositioned even when duct is already installed and offering maximum locking with antirotational pins inserted in the recess boss in the duct base.

The new CL are supplied in RAL 7021 anthracite colour for a better aesthetic result with name, size and quality placed onto upper front side. This solution offers immediate identification for the product and of the standards which it complies with, thus saving inspection and testing time.

### TECHNICAL INFORMATION- Ductafix

Main features – the nylon rivets, respectively light blue and orange, are equipped with fins for a perfect tightness and allowing a quick insertion of the rivet in the rivet tool to make the mounting easier.

For a proper fitting, rivets have to be inserted in one of the hole ends.



### TECHNICAL INFORMATION - RT4 - RT6

Independent sliding metal core for the best tool stability and greater pressure exerted when inserting the rivet into the hole. Soft plastics ergonomic handle. Long (233mm) metal body for easy insertion also narrow and high wiring ducts.

### CL wire retainers for T1 AND T1E

Material: Rigid PVC, self extinguishing

Colour: GREY RAL 7030

Reference	Dimensions information (mm)				Packaging
	A	B	C	D	
Name of product					packaging pieces
CL 40x40	35	36	20	-	120 (3X40)
CL 60x40	55	35	20	-	120 (3X40)
CL 80x40	75	35	20	50	120 (6X20)
CL 100x40	94	35	20	50	60 (6X10)
CL 40x60	35	56	20	-	120 (3X40)
CL 60x60	54	55	20	-	120 (6X20)
CL 80x60	74	55	20	50	60 (6X10)
CL 100x60	94	55	20	50	60 (6X10)
CL 120x60	114	54	20	50	50 (5X10)
CL 40x80	34	75	20	-	120 (6X20)
CL 60x80	54	75	20	-	60 (3X20)
CL 80x80	74	74	20	50	60 (6X10)
CL 100x80	94	75	20	50	30 (3X10)
CL 125x80	113	74	20	50	30 (3X10)
CL 60x100	54	95	20	-	40 (2X20)
CL 80x100	74	94	20	50	30 (3X10)
CL 100x100	93	94	20	50	30 (6X5)
CL 150x100	143	94	20	50	20 (4X5)



### Ductafix wiring duct rivets

Material: Polyamide 6

Colour: LIGHT BLUE (R4) ORANGE 9R

Reference	Dimensions information (mm)					Packaging
	A	B	C	D	E	
Name of product						packaging pieces
Ductafix R4	25	2	12	4	9	500 (2X250)
Ductafix R6	29	2	14	6.25	11	250 (1X250)



### RT4 - RT6 rivet tool

Reference	Packaging
Name of product	packaging pieces
RT4	4 (4X1)
RT6	4 (4X1)





### TECHNICAL INFORMATION - DN-A

For all applications where one does not want to provide mounting holes.

For wiring to cabinet doors, from control panels and for electronic equipment.

For that part of the cable run that leads against the control panel.

For containing wires in variable direction ensuring the flexibility of the wiring run.

Available in four sizes with adhesive tape.

- Due to the flexibility of the material individual wires can easily be added or removed from total wires within the duct.
- Since DN-A has no cover it can accommodate cables in restricted space applications and also effectively removes the need for cable ties.
- It can be used in extreme operating conditions (i.e. max. temp. up to 80c)
- DN-A withstands mechanical stress when installed. While in the event of a fire it does not emit corrosive, or toxic gasses and smoke development is minimal.
- The duct can be cut to desired length using scissors or a knife.

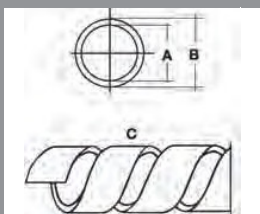
When applying DN-A with adhesive tape, (DN-A 10, DN-A 20, DN-A 30, DN-A 40) it is necessary to make sure that the surface is perfectly clean and dry.

### TECHNICAL INFORMATION Spiralite

Robust, yet simple to install, it gives mechanical protection to the wire bundle which remains flexible whilst rigidly held. Easily removed, it can be easily re-used in the case of temporary wiring.

Essential

- For fast economical grouping of wire bundles.
- For joining groups of wires and/or tubing for fluidic/pneumatic machine control.
- For flexible connections between panel and door.



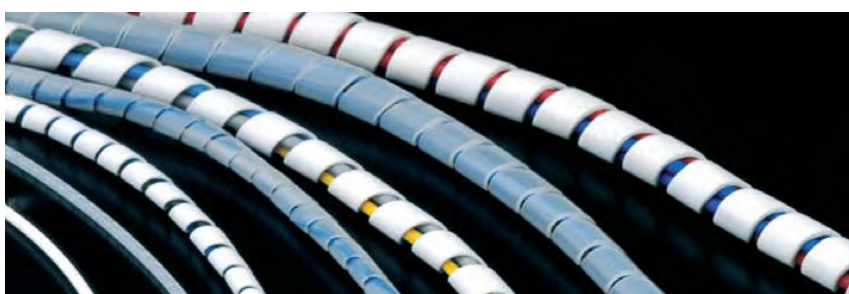
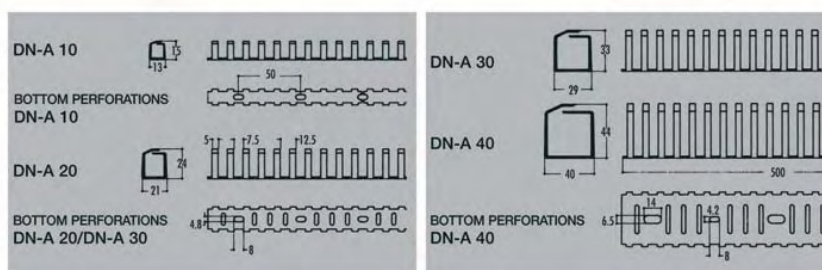
### DN-A Flexible ducts

Material: Polypropylene, self extinguishing Standard Length: 0.5 meters

Colour: GREY RAL 7030

Reference	Dimensions information		Packaging
Product number	Dimensions mm	Section mm <sup>2</sup>	packaging pieces
DN-A 10 G	13x15	100	150
DN-A 20 G	20x24	320	64
DN-A 30 G	30x33	620	36
DN-A 40 G	40x44	1220	20

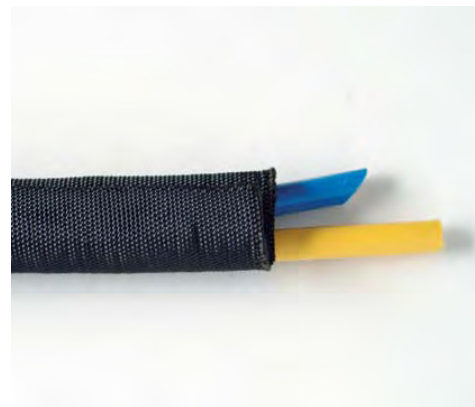
G = GREY RAL 7030



### Spiralite universal spiral wraps

Material: (P) Polypropylene natural, (PA) Polypropylene self extinguishing according to ASTM D 635

Reference	Dimensions (mm)			Packaging
	A	B	C	packaging pieces
P1	1.5	3	5	50
P2	4	6	8	25
P3	8	10	12	25
P4	9	12	12	20
PA1	1.5	3	5	50
PA2	4	6	8	25
PA3	8	10	12	25
PA4	9	12	12	20
P1B	1.5	3	5	50
P2B	4	6	8	25
P3B	8	10	12	25



## Betaduct - Betabraid V2

Beta V2 is a self extinguishing polyester based braided sleeving system giving an expansion ratio of 3:1.

Offering excellent abrasion and anti heat characteristics, V2 is available in black and grey and allows bundles of cables to be routed in difficult and inaccessible positions.

### Technical specifications

Product	Betabraid V2
Part Number	002501051, 02501131, 02501301
Size	Bore Size: 5.00 mm 13.00 mm 30.00 mm
Slotting	N/A
Capacity	150%
Material	Woven Polyethylene Terephthalate
Colour	Black
Service temperature range	-70°C to +130°C Melting temperature 250°C
Application	Lightweight wrap around sleeving for all shapes of cables and harnesses
Fire hazard performance flammability	UL224 VW-1 self extinguishing
Chemical resistance	Ammonium Hydroxide, Chlorine, Diesel, Detergents, Ethanol, Hydrochloric acid, Inorganic solvents, Mineral oils, White spirit and most chemicals and common fuels
Approvals	-
Standards	UL 224

# Beta-Nylofix

## Product Range

London Underground Ltd. Section 12 Approved.

LUL Standard 2-01001-002

Nylofix is a fully integrated flexible conduit system manufactured to the highest of standards. The quick release "Click" assembly characteristics of the fittings make it the perfect system for easy assembly and hassle free use. Its unique stepped profile allows the conduit and fitting to go from IP66 to IP69 with the aid of a rubber sealing ring and washer.

Manufactured in Nylon 6 or 12 and Halogen free Nylofix has been successful in obtaining full London Underground Section 12 approval and is widely used in the rail and underground industry.

Nylofix is the engineer's choice when it comes to product integrity, operator friendly usage and depth of range.







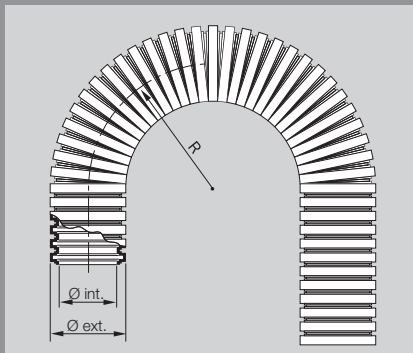
# Beta-Nylofix ECT Conduit



## TECHNICAL INFORMATION

Medium-wall and flexible corrugated conduit for insulating and mechanical protection of cables in the electrical installation of machinery and industrial equipment in accordance with standard EN 60204-1 (Safety of Machinery).

- Made of specially modified polyamide (PA 6)
- Special patented profile for housing the ORJ sealing O - Rings
- Free of halogen, phosphorus and cadmium
- Heat resistant and self-extinguishing (HB acc. to UL94)
- Temperature range: -40°C to +105°C (150°C short term)
- Colours: dark grey and black

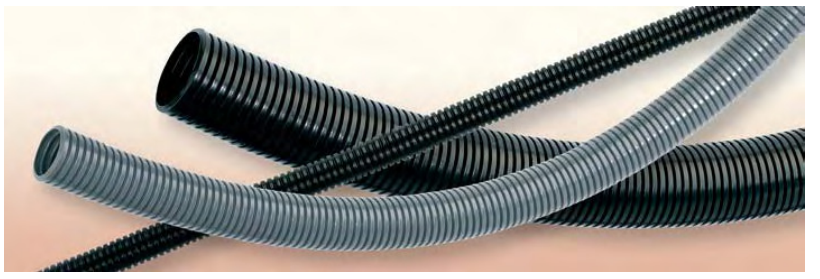


Colour reference		Diameter information				Weight/Packing	
GREY	BLACK	nominal diameter	Ø int.	Ø ext.	minimum bending radius R (static)	weight g/m	packing m
ECT-07G	ECT-07N	7	6.3	10.0	15	18	50
ECT-10G	ECT-10N	10	9.7	13.0	20	25	50
ECT-12G	ECT-12N	12	12.2	15.8	30	33	50
ECT-17G	ECT-17N	17	16.8	21.2	40	56	50
ECT-23G	ECT-23N	23	22.6	28.5	55	90	50
ECT-29G	ECT-29N	29	28.3	34.5	65	122	50
ECT-36G	ECT-36N	36	36.3	42.5	80	152	30
ECT-48G	ECT-48N	48	47.4	54.5	95	212	50

We can supply this conduit with a longitudinal cut for pre-cabing

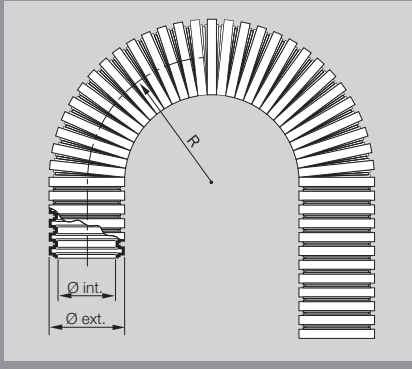


# Beta-Nylofix IRT Conduit



## TECHNICAL INFORMATION

Medium-wall and flexible corrugated conduit for insulating and mechanical protection of cables in the electrical installation specially in the passenger areas of railway coaches, railway tunnels or underground stations and general installations with special fire and smoke requirements.



- Made of specially modified polyamide (PA 6)
- Special patented profile for housing the ORJ sealing O - Rings
- Free of halogen, phosphorus and cadmium
- Excellent self-extinguishing properties
- Temperature range: -40°C to +105°C (150°C short term)
- 12F2 according to NF F16-101
- Colours: dark grey and black

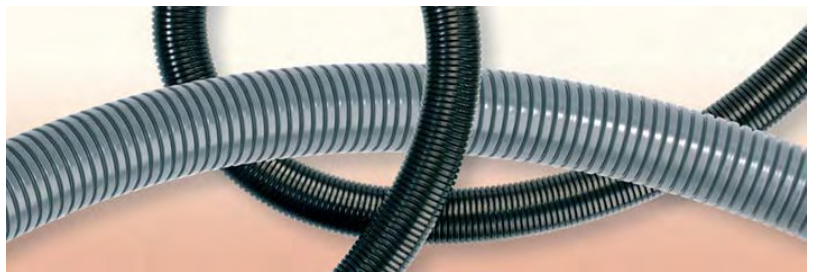
Colour reference		Diameter information				Weight/Packing	
GREY	BLACK	nominal diameter	Ø int.	Ø ext.	minimum bending radius R (static)	weight g/m	packing m
IRT-07G	IRT-07N	07	6.1	10.1	20	20	50
IRT-10G	IRT-10N	10	9.5	13.1	25	27	50
IRT-12G	IRT-12N	12	12.0	15.7	35	38	50
IRT-17G	IRT-17N	17	16.4	21.1	50	63	50
IRT-23G	IRT-23N	23	22.2	28.4	60	101	50
IRT-29G	IRT-29N	29	28.1	34.4	70	134	50
IRT-36G	IRT-36N	36	36.0	42.6	85	168	30
IRT-48G	IRT-48N	48	47.0	54.5	100	234	30

All dimensions are in mm



# Beta-Nylofix

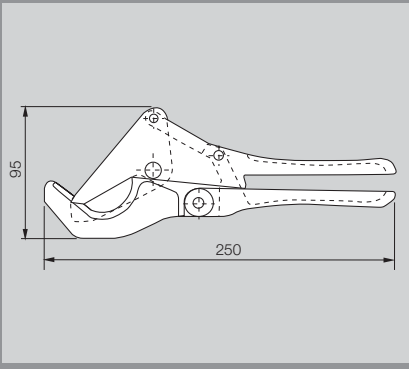
## Cutting tool for corrugated conduits



- Made of metal
- Cutting range: 0-52 mm
- Red colour
- Ref. 34120

### TECHNICAL INFORMATION

Tool intended for an easy cut of corrugated conduits. Allows the obtention of a precise and accurate 90° cut.



# Beta-Nylofix plus

### FEATURES

**Easy:**  
Quick assembly and removal.

**Safe:**  
Conduit locking around its entire perimeter.

**Watertight:**  
Protection up to IP69K.

Flexible corrugated conduits of high mechanical strength with special patented profile for housing a sealing O-ring.

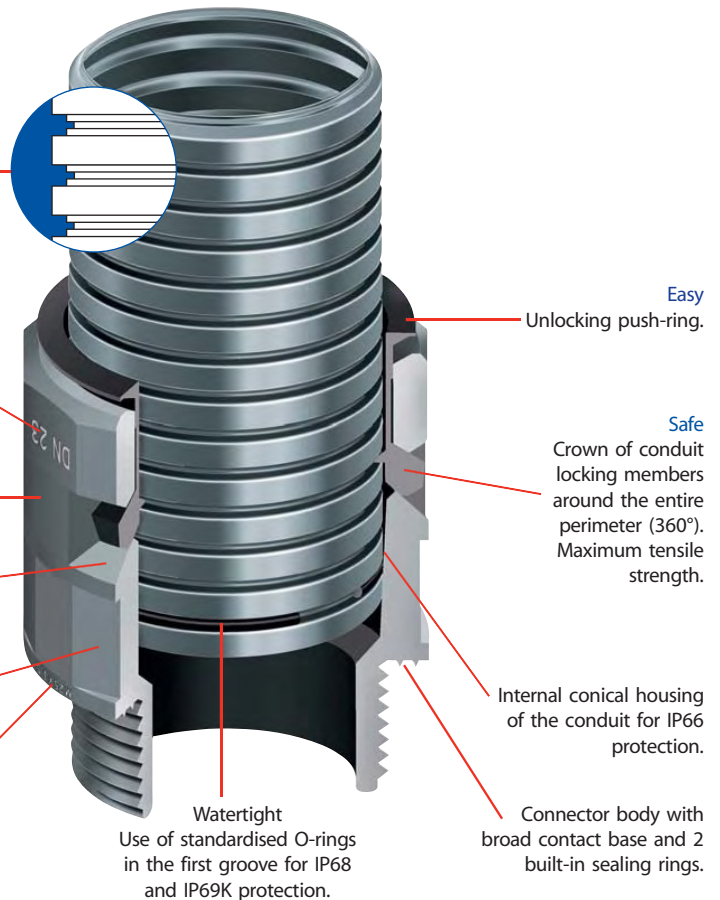
Fast identification of the normal diameter of the conduit.

12 flattened edges for tightening with spanner.

Unlocking slope.

6 milled planes for open-ended spanner.

Fast identification of thread type and size.





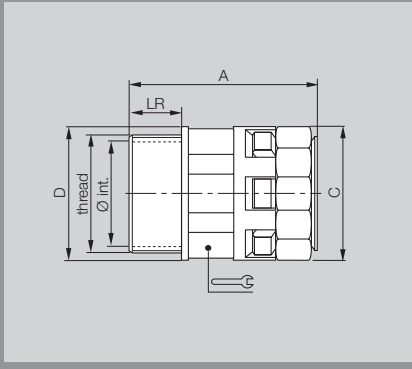
# Beta-Nylofix

## MIR-M Straight metric thread connector



### TECHNICAL INFORMATION

Straight metric male according to EN 60423 connector for fixing the ends of flexible corrugated conduits to the cable entries on control panels, terminal boxes on electric motors, etc., in accordance with standard EN 60204 (Safety of Machinery). They are notable for their high tensile strength and tightness.



- Made of specially modified polyamide (PA 6)
- Free of halogen, phosphorus and cadmium
- Self extinguishing
- Temperature range: -40°C to +105°C (150°C short term)
- Shock-resistant
- IP66 protection. IP68 and IP69K with ORJ and PLG
- "Easy-click" quick assembly and removal of the conduit without tools
- Colours: dark grey and black

Colour reference		Diameter information								Weight/Packing	
GREY	BLACK	for conduit ND	thread	Ø int.	A	C	D	LR	weight g	packing u	
MIR-07M12G	MIR-07M12N	7	M12x1.5	6.5	35	19	17	15	11	4.6	100
MIR-10M16G	MIR-10M16N	10	M16x1.5	10.0	37	21	21	18	11	6.0	100
MIR-12M16G	MIR-12M16N	12	M16x1.5	10.0	37	26	25	20	11	7.6	100
MIR-12M20G	MIR-12M20N	12	M20x1.5	14.0	37	26	25	20	11	7.8	100
MIR-17M20G	MIR-17M20N	17	M20x1.5	14.5	44	31	30	27	11	12.4	100
MIR-17M25G	MIR-17M25N	17	M25x1.5	18.5	45	31	34	27	12	13.5	100
MIR-23M25G	MIR-23M25N	23	M25x1.5	18.5	48	37	37	34	12	17.5	50
MIR-23M32G	MIR-23M32N	23	M32x1.5	25.5	51	37	46	34	15	19.6	50
MIR-29M32G	MIR-29M32N	29	M32x1.5	25.5	52	46	46	42	15	28.6	30
MIR-29M40G	MIR-29M40N	29	M40x1.5	32.0	56	46	52	42	16	32.4	30
MIR-36M40G	MIR-36M40N	36	M40x1.5	32.0	60	54	54	50	19	42.2	20
MIR-36M50G	MIR-36M50N	36	M50x1.5	42.0	60	54	62	50	19	45.9	20
MIR-48M50G	MIR-48M50N	48	M50x1.5	42.0	61	69	69	66	19	66.9	10
MIR-48M63G	MIR-48M63N	48	M63x1.5	54.0	61	69	75	66	19	72.7	10

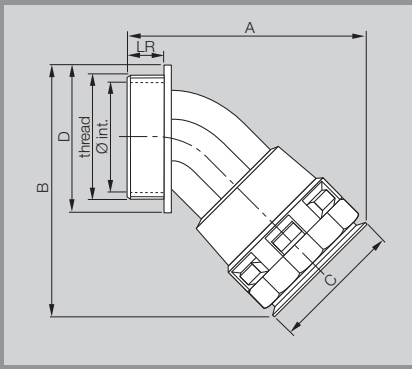
# Beta-Nylofix

## LTC-M 45° elbow metric thread connector



### TECHNICAL INFORMATION

45° elbow metric male according to EN 60423 connector for fixing the ends of flexible corrugated conduits to the cable entries on control panels, terminal boxes on electric motors, etc., in accordance with standard EN 60204 (Safety of Machinery). They are notable for their high tensile strength and tightness.



- Made of specially modified polyamide (PA 6)
- Free of halogen, phosphorus and cadmium
- Self extinguishing
- Temperature range: -40°C to +105°C (150°C short term)
- Shock-resistant
- IP66 protection. IP68 and IP69K with ORJ and PLG
- "Easy-click" quick assembly and removal of the conduit without tools
- Colours: dark grey and black

Colour reference		Diameter information								Weight/Packing	
GREY	BLACK	for conduit ND	thread	Ø int.	A	B	C	D	LR	weight g	packing u
LTC-12M16G	LTC-12M16N	12	M16x1.5	10.5	50	45	24	23	11	8.5	50
LTC-17M20G	LTC-17M20N	17	M20x1.5	11.5	60	56	29	27	11	14.2	50
LTC-23M25G	LTC-23M25N	23	M25x1.5	18.5	70	67	37	34	12	21.4	30
LTC-29M32G	LTC-29M32N	29	M32x1.5	25.7	80	76	45	41	15	35.0	10
LTC-36M40G	LTC-36M40N	36	M40x1.5	32.0	96	90	53	50	19	53.0	10
LTC-48M50G	LTC-48M50N	48	M50x1.5	42.0	109	106	67	60	19	80.0	5

All dimensions are in mm

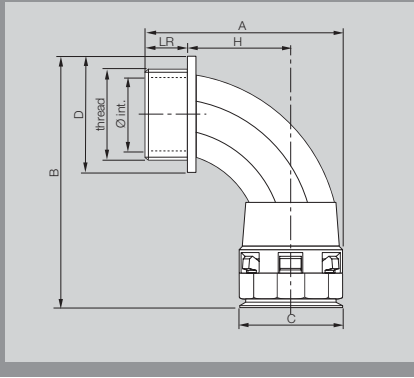
# Beta-Nylofix

## NBC-M 90° curved elbow metric thread connector



### TECHNICAL INFORMATION

90° curved elbow metric male according to EN 60423 connector for fixing the ends of flexible corrugated conduits to the cable entries on control panels, terminal boxes on electric motors, etc., in accordance with standard EN 60204 (Safety of Machinery). They are notable for their high tensile strength and tightness.



- Made of specially modified polyamide (PA 6)
- Free of halogen, phosphorus and cadmium
- Self extinguishing
- Temperature range: -40°C to +105°C (150°C short term)
- Shock-resistant
- IP66 protection. IP68 and IP69K with ORJ and PLG
- “Easy-click” quick assembly and removal of the conduit without tools
- Colours: dark grey and black

Colour reference		Diameter information										Weight/Packing	
GREY	BLACK	for conduit ND	thread	Ø int.	A	B	C	D	H	LR	weight g	packing u	
NBC-17M25G	NBC-17M25N	17	M25x1.5	17.5	52	75	28	34	26	12	18.8	50	
NBC-23M32G	NBC-23M32N	23	M32x1.5	25.7	69	89	36	40	36	15	32.5	30	
NBC-23M32G	NBC-23M32N	29	M40x1.5	32.3	81	101	43	50	40	19	51.4	10	
NBC-23M32G	NBC-23M32N	36	M50x1.5	40.0	98	124	51	60	53	19	85.3	10	
NBC-48M63G	NBC-48M63N	48	M63x1.5	53.6	106	141	66	75	54	19	128.6	5	

All dimensions are in mm

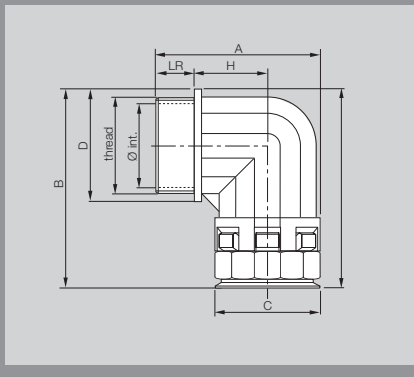
# Beta-Nylofix

## NEC-M 90° elbow metric thread connector



### TECHNICAL INFORMATION

90° elbow metric male according to EN 60423 connector for fixing the ends of flexible corrugated conduits to the cable entries on control panels, terminal boxes on electric motors, etc., in accordance with standard EN 60204 (Safety of Machinery). They are notable for their high tensile strength and tightness.



- Made of specially modified polyamide (PA 6)
- Free of halogen, phosphorus and cadmium
- Self extinguishing
- Temperature range: -40°C to +105°C (150°C short term)
- Shock-resistant
- IP66 protection. IP68 and IP69K with ORJ and PLG
- “Easy-click” quick assembly and removal of the conduit without tools
- Colours: dark grey and black

Colour reference		Diameter information										Weight/Packing	
GREY	BLACK	for conduit ND	thread	Ø int.	A	B	C	D	H	LR	weight g	packing u	
NEC-10M16G	NEC-10M16N	10	M16x1.5	10.0	35	42	21	21	11	11	8.9	50	
NEC-12M16G	NEC-12M16N	12	M16x1.5	10.5	39	44	25	23	15	11	13.7	50	
NEC-12M20G	NEC-12M20N	12	M20x1.5	12.3	39	45	25	26	15	11	13.3	50	
NEC-17M20G	NEC-17M20N	17	M20x1.5	14.5	45	58	30	30	18	11	22.4	50	
NEC-23M25G	NEC-23M25N	23	M25x1.5	18.5	53	66	36	37	23	12	34.2	30	
NEC-29M32G	NEC-29M32N	29	M32x1.5	25.5	66	76	45	45	27	15	57.0	20	
NEC-36M40G	NEC-36M40N	36	M40x1.5	32.0	79	89	54	55	33	19	93.0	10	
NEC-48M50G	NEC-48M50G	48	M50x1.5	42.0	92	103	68	69	39	19	153.2	10	

All dimensions are in mm

NBC-M 90° curved elbow metric thread connector

NEC-M 90° elbow metric thread connector



# Beta-Nylofix

## MIRM-M Straight metric metal thread connector

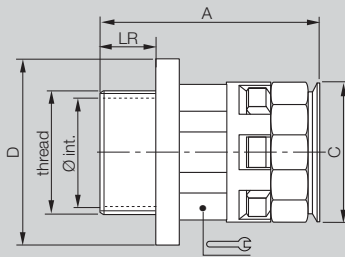


### TECHNICAL INFORMATION

With similar characteristics to the standard polyamide connectors, the male metal thread connectors are notable for their higher mechanical resistance, being recommended in the most severe conditions. An internal plastic wall on the metal insert avoids a direct contact with the cables. Special use in the traction industry.

- Made of specially modified polyamide (PA 6) Nickel-plated thread
- Free of halogen, phosphorus and cadmium
- Self extinguishing
- Temperature range: -40°C to +105°C (150°C short term)
- Shock-resistant
- IP66 protection. IP68 and IP69K with ORJ and PLG
- "Easy-click" quick assembly and removal of the conduit without tools
- Colours: dark grey and black

Colour reference		Diameter information								Weight/Packing	
GREY	BLACK	for conduit ND	thread	Ø int.	A	C	D	LR	weight g	packing u	
MIRM-07M12G	MIRM-07M12N	7	M12x1.5	6.5	43	18	20	15	10	15.0	50
MIRM-10M16G	MIRM-10M16N	10	M16x1.5	10.0	43	20	24	18	10	19.6	50
MIRM-12M16G	MIRM-12M16N	12	M16x1.5	10.0	43	25	24	20	10	21.2	50
MIRM-12M20G	MIRM-12M20N	12	M20x1.5	14.5	43	25	29	20	10	25.3	50
MIRM-17M20G	MIRM-17M20N	17	M20x1.5	14.5	47	30	29	27	10	28.8	30
MIRM-17M25G	MIRM-17M25N	17	M25x1.5	18.8	49	30	35	27	11	37.0	30
MIRM-23M25G	MIRM-23M25N	23	M25x1.5	18.8	55	36	35	34	11	40.8	30
MIRM-23M32G	MIRM-23M32N	23	M32x1.5	25.8	57	36	43	34	13	53.0	30
MIRM-29M32G	MIRM-29M32N	29	M32x1.5	25.8	56	44	43	42	13	60.6	20
MIRM-29M40G	MIRM-29M40N	29	M40x1.5	32.5	56	44	54	42	13	90.0	20
MIRM-36M40G	MIRM-36M40N	36	M40x1.5	32.2	61	52	55	50	13	103.3	10
MIRM-36M50G	MIRM-36M50N	36	M50x1.5	41.1	64	52	67	50	14	136.0	10
MIRM-48M50G	MIRM-48M50N	48	M50x1.5	42.0	62	69	67	66	14	159.2	10
MIRM-48M63G	MIRM-48M63N	48	M63x1.5	53.4	62	69	76	66	14	171.8	10



# Beta-Nylofix

## LTCM-M 45° elbow metric thread connector

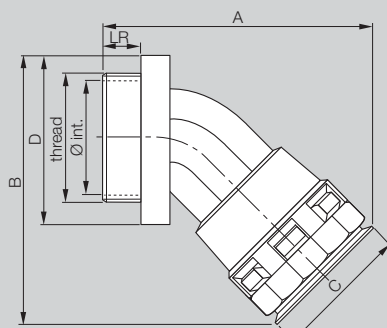


### TECHNICAL INFORMATION

With similar characteristics to the standard polyamide connectors, the male metal thread connectors are notable for their higher mechanical resistance, being recommended in the most severe conditions. An internal plastic wall on the metal insert avoids a direct contact with the cables. Special use in the traction industry.

- Made of specially modified polyamide (PA 6) Nickel-plated thread
- Free of halogen, phosphorus and cadmium
- Self extinguishing
- Temperature range: -40°C to +105°C (150°C short term)
- IP66 protection. IP68 and IP69K with ORJ and PLG
- "Easy-click" quick assembly and removal of the conduit without tools
- Colours: dark grey and black

Colour reference		Diameter information								Weight/Packing	
GREY	BLACK	for conduit ND	thread	Ø int.	A	B	C	D	LR	weight g	packing u
LTCM-12M16G	LTCM-12M16N	12	M16x1.5	10.5	53	45	24	24	10	21.6	50
LTCM-17M20G	LTCM-17M20N	17	M20x1.5	11.5	63	57	29	29	10	30.2	50
LTCM-23M25G	LTCM-23M25N	23	M25x1.5	18.5	74	67	37	35	11	44.4	30
LTCM-29M32G	LTCM-29M32N	29	M32x1.5	25.7	82	72	45	43	13	67.8	10
LTCM-36M40G	LTCM-36M40N	36	M40x1.5	32.0	97	93	53	56	13	110.8	10



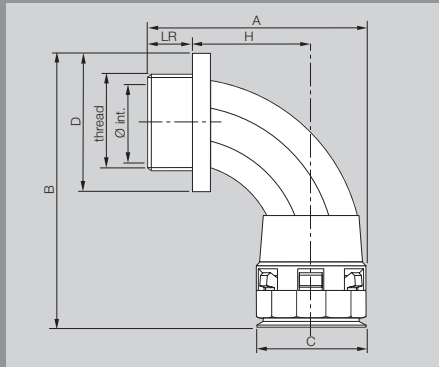
# Beta-Nylofix

NBCM-M 90° curved elbow metric metal thread



## TECHNICAL INFORMATION

With similar characteristics to the standard polyamide connectors, the male metal thread connectors are notable for their higher mechanical resistance, being recommended in the most severe conditions. An internal plastic wall on the metal insert avoids a direct contact with the cables. Special use in the traction industry.



- Made of specially modified polyamide (PA 6)
- Free of halogen, phosphorus and cadmium
- Self extinguishing
- Temperature range: -40°C to +105°C (150°C short term)
- Shock-resistant
- IP66 protection. IP68 and IP69K with ORJ and PLG
- "Easy-click" quick assembly and removal of the conduit without tools
- Colours: dark grey and black

Colour reference		Diameter information										Weight/Packing	
GREY	BLACK	for conduit ND	thread	Ø int.	A	B	C	D	H	LR	weight g	packing u	
NBCM-17M25G	NBCM-17M25N	17	M25x1.5	16.3	56	75	28	34	26	12	18.8	50	
NBCM-23M32G	NBCM-23M32N	23	M32x1.5	23.0	72	89	36	40	36	15	32.5	30	
NBCM-23M32G	NBCM-23M32N	29	M40x1.5	30.5	81	101	43	50	40	19	51.4	10	
NBCM-23M32G	NBCM-23M32N	36	M50x1.5	37.5	98	124	51	60	53	19	85.3	10	
NBCM-48M63G	NBCM-48M63N	48	M63x1.5	52.1	106	141	66	75	54	19	128.6	5	

All dimensions are in mm

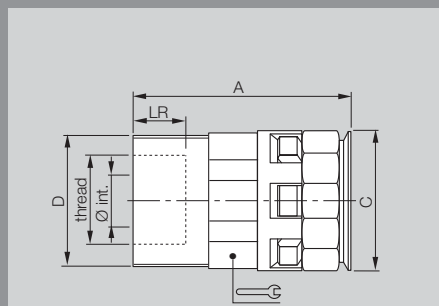
# Beta-Nylofix

FER-M Straight female metric metal thread connector metal



## TECHNICAL INFORMATION

Straight connector with female metal metric thread according to EN 60423. They are used in heavy machinery and traction industry, to connect a rigid tube to a flexible conduit or any other applications where a female thread must be coupled without any adaptor.



- Made of specially modified polyamide (PA 6) Nickel-plated thread
- Free of halogen, phosphorus and cadmium
- Self extinguishing
- Temperature range: -40°C to +105°C (150°C short term)
- Shock-resistant
- IP66 protection.
- "Easy-click" quick assembly and removal of the conduit without tools
- Colours: dark grey and black

Colour reference		Diameter information								Weight/Packing	
GREY	BLACK	for conduit ND	thread	Ø int.	A	C	D	LR	weight g	packing u	
FER-10M16G	FER-10M16N	10	M16x1.5	9.2	41	21	25	18	9	15.2	50
FER-12M20G	FER-12M20N	12	M20x1.5	13.7	42	25	27	20	11.5	24.6	50
FER-17M20G	FER-17M20N	17	M20x1.5	13.7	46	31	27	27	11.5	27.6	50
FER-17M25G	FER-17M25N	17	M25x1.5	16.5	46	31	33	27	11.5	34.8	50
FER-23M32G	FER-23M32N	23	M32x1.5	21.4	56	37	39	34	11.5	50.0	30
FER-29M40G	FER-29M40N	29	M40x1.5	27.3	58	46	49	42	13	87.4	10

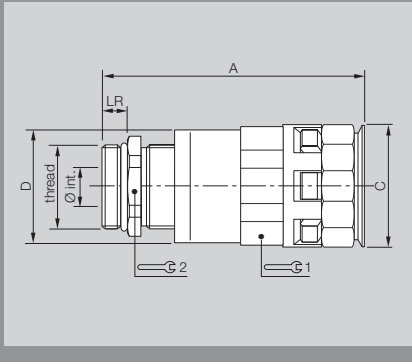
# Beta-Nylofix

## MAR-M strain relief metric thread connector metal



### TECHNICAL INFORMATION

Strain-relief straight connector with incorporated nickel-plated brass cable-gland with male metric thread according to EN 60423. To be used in heavy industry or railways for increased retention of electrical cables. They are notable for their high tensile strength and tightness.



- Made of specially modified polyamide (PA 6) Nickel-plated thread. Neoprene sealing gasket inside the cable-gland
- Temperature range: -40°C to +105°C (150°C short term)
- Shock-resistant with high tensile strength
- IP66 protection
- "Easy-click" quick assembly and removal of the conduit without tools
- Colours: dark grey and black
- NBR O-ring included on cable-gland base
- Free of halogen, phosphorus and cadmium
- Self extinguishing

Colour reference		Diameter information										Weight/Packing	
GREY	BLACK	for conduit ND	thread	Ø int.	terminal range	A	C	D	1	2	LR	weight g	packing u
MAR-10M16G	MAR-10M16N	10	M16x1.5	9,2	5-9	56	21	25	18	17	5	25,2	50
MAR-12M20G	MAR-12M20N	12	M20x1.5	13,7	9-13	58	25	27	20	22	6	42,0	50
MAR-17M20G	MAR-17M20N	17	M20x1.5	13,7	9-13	62	31	27	27	22	6	44,6	50
MAR-17M25G	MAR-17M25N	17	M25x1.5	16,5	11-16	64	31	33	27	27	7	61,2	50
MAR-23M32G	MAR-23M32N	23	M32x1.5	21,4	14-21	74	37	39	34	34	8	93,2	10
MAR-29M40G	MAR-29M40N	29	M40x1.5	27,3	19-27	78	46	49	42	43	8	159,6	10

All dimensions are in mm

# Beta-Nylofix

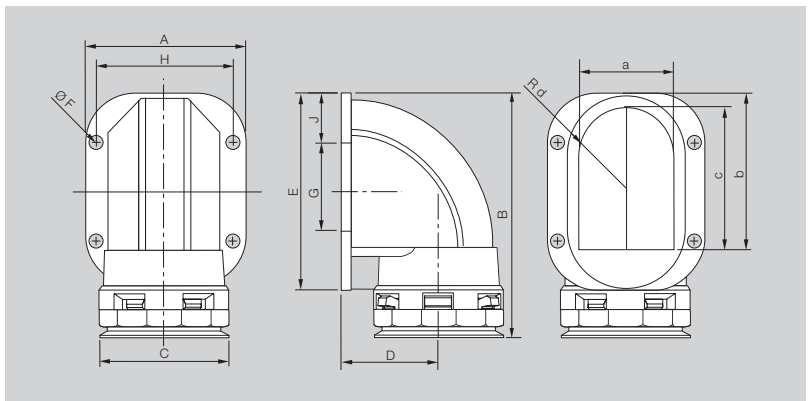
## BTC 90° elbow flange connector



### TECHNICAL INFORMATION

The elbow flange connectors, thanks to their big internal space and reduced bulk, are specially useful for fixing the ends of flexible corrugated conduits to 90° cable entries in the interior of machines and for installations according to EN 60204 (Safety of Machinery). They are notable for their high tensile strength and tightness.

- Made of specially modified polyamide (PA 6)
- Free of halogen, phosphorus and cadmium
- Self extinguishing
- Temperature range: -40°C to +105°C (150°C short term)
- Shock-resistant
- IP66 protection. IP68 with BTJ and PLJ
- "Easy-click" quick assembly and removal of the conduit without tools
- Colours: dark grey and black



Colour reference		Diameter information										Weight/Packing	
GREY	BLACK	for conduit ND	A	B	C	D	F	G	H	J	weight g	packing u	
BTC-17G	BTC-17N	17	44	67	29	34	24	-	43	18	18,2	50	
BTC-23G	BTC-23N	23	53	81	37	42	27	-	54	21	27,6	30	
BTC-29G	BTC-29N	29	60	87	45	47	32	24	45	35	47,6	10	
BTC-36G	BTC-36N	36	70	103	53	56	38	30	50	46	69,0	10	
BTC-48G	BTC-48N	48	80	116	67	67	45	53	42	67	111,0	5	

All dimensions are in mm

# Beta-Nylofix

TSD

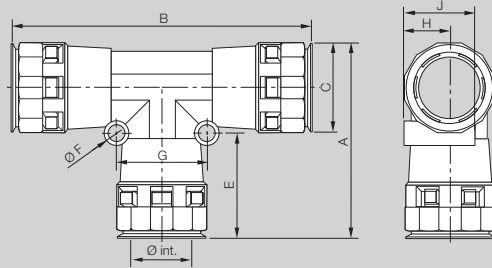
"T" distributor



## TECHNICAL INFORMATION

TSD "T" distributor connectors are specially indicated to join three conduits of same nominal diameter when small bending radiiuses have to be avoided. In accordance with Standard EN 60204 (Safety of Machinery). They are notable for their high tensile strength and tightness.

- Made of specially modified polyamide (PA 6)
- Free of halogen, phosphorus and cadmium
- Self extinguishing
- Temperature range: -40°C to +105°C (150°C short term)
- Shock-resistant
- IP66 protection, IP68 with ORJ
- "Easy-click" quick assembly and removal of the conduit without tools
- Colours: dark grey and black



Colour reference		Diameter information										Weight/Packing	
GREY	BLACK	for conduit ND	Ø int.	A	B	C	E	F	G	H	J	weight g	packing u
TSD-101010G	TSD-101010N	10	11.2	46	72	20	327	5	19	410	18	14.4	20
TSD-121212G	TSD-121212N	12	12.8	52	81	23	30	5	20	12	20	20.8	20
TSD-171717G	TSD-101010N	17	18.0	63	96	29	35	6	28	14	25	33.7	20
TSD-101010G	TSD-171717N	23	25.5	76	117	37	40	6	36	18	30	52.0	10
TSD-101010G	TSD-101010N	29	31.5	85	128	45	41	6	41	22	36	84.2	5
TSD-101010G	TSD-101010N	36	38.5	97	144	53	46	7	50	26	44	115.2	5

All dimensions are in mm

# Beta-Nylofix

YKD

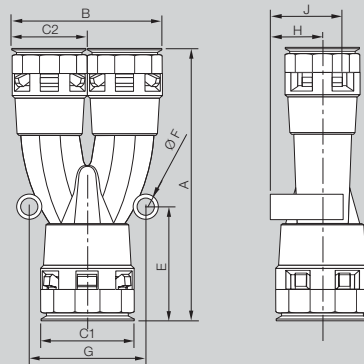
"Y" distributor



## TECHNICAL INFORMATION

YKD "Y" distributor connectors are specially indicated to join three conduits of different nominal diameter when small bending radiiuses have to be avoided. In accordance with Standard EN 60204 (Safety of Machinery). They are notable for their high tensile strength and tightness.

- Made of specially modified polyamide (PA 6)
- Free of halogen, phosphorus and cadmium
- Self extinguishing
- Temperature range: -40°C to +105°C (150°C short term)
- Shock-resistant
- IP66 protection
- "Easy-click" quick assembly and removal of the conduit without tools
- Colours: dark grey and black



Colour reference		Diameter information										Weight/Packing	
GREY	BLACK	for conduit ND	A	B	C1	C2	D	E	F	H	J	weight g	packing u
YKD-171212G	YKD-171212N	17+2x12	89	47	18	14	34	37	5	9	24	27.0	20
YKD-231717G	YKD-231717N	32+2x17	106	58	24	18	45	44	6	12	28	43.8	20
YKD-292323G	YKD-292323N	29+2x23	118	74	30	24	52	45	6	15	35	68.6	10
YKD-362929G	YKD-362929N	36+2x29	141	89	38	30	60	52	6	19	41	110.0	5
YKD-483636G	YKD-483636N	48+2x36	153	106	49	38	76	54	7	25	50	167.6	5

All dimensions are in mm



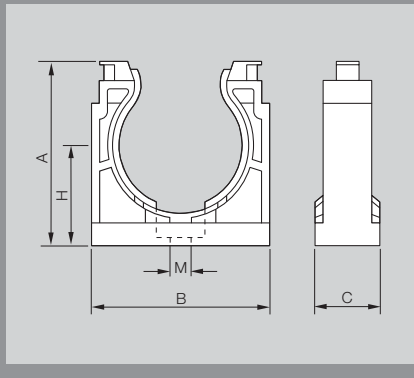
# Beta-Nylofix

SDN  
Support



## TECHNICAL INFORMATION

Supports for securing sections of corrugated conduits between the various parts of the electrical installation on machines. With conduit entry guide and notches for setting an adjustable cable-tie under special securing situations, e.g. on ceilings.



- Made of specially modified polyamide (PA 6)
- Free of halogen, phosphorus and cadmium
- Self extinguishing
- Temperature range: -40°C to +105°C (150°C short term)
- Shock-resistant
- Colours: dark grey and black

Colour reference		Diameter information							Weight/Packing	
GREY	BLACK	for conduit ND	A	B	C	H	bolt m	recommended cable-tie	weight g	packing u
SDN-07G	SDN-07N	7	20	17	20	12	M4	75x2,5	2.2	100
SDN-10G	SDN-10N	10	23	21	20	14	M5	75x2,5	2.8	100
SDN-12G	SDN-12N	12	26	25	20	15	M5	75x2,5	3.6	100
SDN-17G	SDN-17N	17/18	32	32	20	18	M5	140x3,5	5.8	100
SDN-23G	SDN-23N	23	41	40	20	23	M6	140x3,5	9.4	50
SDN-29G	SDN-29N	29	47	46	20	26	M6	160x4,5	10.8	30
SDN-36G	SDN-36N	36	57	56	20	32	M6	160x4,5	15.4	20
SDN-48G	SDN-48N	48	70	70	20	39	M6	180x4,5	21.0	10

All dimensions are in mm

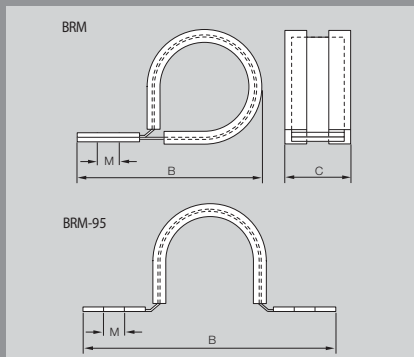
# Beta-Nylofix

BRM  
Clamp



## TECHNICAL INFORMATION

Clamps for securing sections of corrugated conduits between various parts of the electrical installation on machines.



- Galvanised steel with elastomer protection
- Free of halogen, phosphorus and cadmium
- Provide good resistance to atmospheric agents and corrosion
- Black colour

Colour reference		Diameter information				Weight/Packing	
GREY		for conduit ND	B	C	bolt m	weight g	packing u
BRM-07		7	25	12	M4	6.0	50
BRM-10		10	26	12	M4	6.8	50
BRM-12		12	29	12	M4	7.6	50
BRM-17		17/18	39	16	M5	9.0	50
BRM-23		23	47	16	M5	21.4	50
BRM-29		29	60	19	M6	24.2	30
BRM-36		36	70	19	M6	29.2	20
BRM-48		48	85	19	M6	37.2	10
BRM-70		70	117	31	M8	146.2	10
BRM-95		95	155	26	M8	79.8	10

All dimensions are in mm

# Beta-Nylofix

## O-Rings

for conduits: ORJ

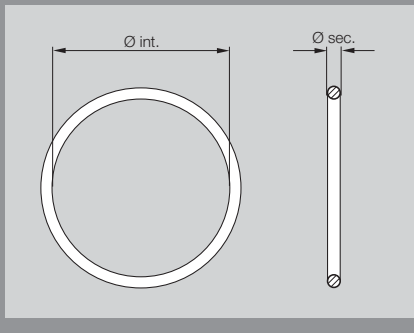
for BTC connectors: BTJ

for TITAN connectors: TTJ



### TECHNICAL INFORMATION

ORJ O-rings to be placed on the first groove at the end of INTERFLEX corrugated conduits in order to obtain a degree of protection up to IP68 between the conduit and the connector. BTJ O-rings to be placed on the 90° BTC flange connector base groove to obtain a degree of protection up to IP68. TTJ O-rings to be placed on TITAN connector base groove to obtain a degree of protection up to IP69 which is the highest standard possible.



- NBR 70 elastomer
- Temperature range: -30°C to +100°C

#### O-rings for the conduit: ORJ

Reference	Diameter information			Weight/Packing	
ref no.	for conduit ND	Ø int.	Ø sec.	weight g	packing u
ORJ-07	7	6.35	1.3	0.05	100
ORJ-10	10	10.0	1.3	0.06	100
ORJ-12	12	11.5	1.5	0.10	100
ORJ-17	17/18	16.0	1.8	0.18	100
ORJ-23	23	22.0	2.0	0.30	50
ORJ-29	29	29.0	2.0	0.39	30
ORJ-36	36	34.0	2.3	0.56	20
ORJ-48	48	44.6	2.4	0.84	10
ORJ-70	70	70.0	4.0	3.70	5
ORJ-95	95	98.0	4.5	6.50	5

All dimensions are in mm

#### O-rings for BTC 90° elbow flange connector: BTJ

Reference	Diameter information			Weight/Packing	
ref no.	for connector	Ø int.	Ø sec.	weight g	packing u
BTJ-17	BTC-17	32.0	2.5	0.66	50
BTJ-23	BTC-23	41.0	2.5	0.84	30
BTJ-29	BTC-29	51.0	2.5	1.02	10
BTJ-36	BTC-36	60.0	2.5	1.34	10
BTJ-48	BTC-48	66.0	2.5	1.44	5

#### O-rings for TITAN connectors: TTJ

Reference	Diameter information			Weight/Packing	
ref no.	for connector	Ø int.	Ø sec.	weight g	packing u
TTJ-70	GTR-70,GTC-70	90	2.5	1.8	5
TTJ-95	GTR-95,GTC-95	117	2.5	2.2	5

# Beta-Nylofix

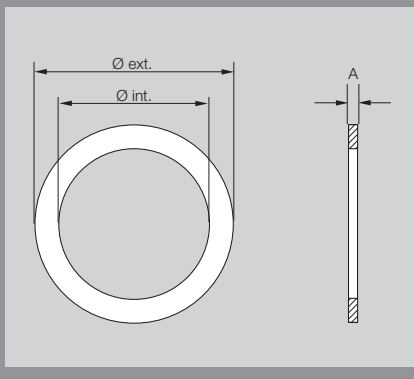
## PLJ

## Sealing washers



### TECHNICAL INFORMATION

Die-cut sealing washers that allow the entry of cables into housings (boxes, cabinets, etc.) with a degree of protection up to IP68 between the housing and the connector's base.



- Made of deformable asbestos-free material.
- Temperature range: -40°C to +200°C (150°C short term)

Reference	Diameter information				Weight/Packing	
ref no.	for thread	Ø int.	Ø ext.	A	weight g	packing u
PLJ-M12	M12x1.5	12.0	18	1.5	0.32	100
PLJ-M16	M16x1.5	16.0	22	1.5	0.42	100
PLJ-M20	M20x1.5	20.0	27	1.5	0.62	100
PLJ-M25	M25x1.5	25.0	35	1.5	1.25	50
PLJ-M32	M32x1.5	32.0	43	1.5	1.63	30
PLJ-M40	M40x1.5	40.0	55	1.5	2.93	20
PLJ-M50	M50x1.5	50.0	69	1.5	4.75	10
PLJ-M63	M63x1.5	63.0	82	1.5	3.34	10

All dimensions are in mm

Reference	Diameter information				Weight/Packing	
ref no.	for thread	Ø int.	Ø ext.	A	weight g	packing u
PLJ-P07	Pg 7	12.4	18	1.5	0.36	100
PLJ-P09	Pg 9	15.2	21	1.5	0.44	100
PLJ-P11	Pg 11	18.6	26	1.5	0.70	100
PLJ-P13	Pg 13.5	20.4	29	1.5	0.64	100
PLJ-P16	Pg 16	22.5	33	1.5	1.24	100
PLJ-P21	Pg 21	28.3	39	1.5	1.56	50
PLJ-P29	Pg 29	37.0	49	1.5	2.23	30
PLJ-P36	Pg 36	47.0	59	1.5	1.18	20
PLJ-P48	Pg 48	59.3	71	1.5	2.56	10

# Beta-Nylofix

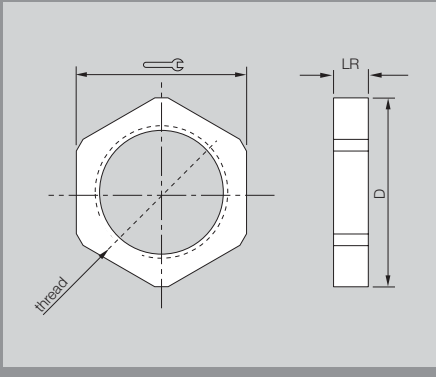
## NORMANYL-M Polyamide metric thread lock nuts



### TECHNICAL INFORMATION

Hexagonal female metric thread lock nuts for securing connectors and elbows in thin or non threaded walls of boxes and cabinets.

- Made of specially modified polyamide (PA 6)
- Metric thread according to EN 60423
- Free of halogen, phosphorus and cadmium
- Self extinguishing
- Temperature range: -40°C to +105°C (150°C short term)
- Shock-resistant
- Colours: dark grey and black



Colour reference		Diameter information				Weight/Packing	
GREY	BLACK	thread	D		LR	weight g	packing u
261231	261247	M12x1.5	18	17	5	0.8	100
261631	261647	M16x1.5	24	22	5	1.4	100
262031	262047	M20x1.5	28	26	6	2.0	100
262531	262547	M25x1.5	35	32	6	3.0	100
263231	263247	M32x1.5	47	42	7	6.2	100
264031	264047	M40x1.5	57	52	7	9.0	50
265031	265047	M50x1.5	68	62	9	14.4	50
266331	266347	M63x1.5	85	78	9	22.0	50

All dimensions are in mm

# Beta-Nylofix

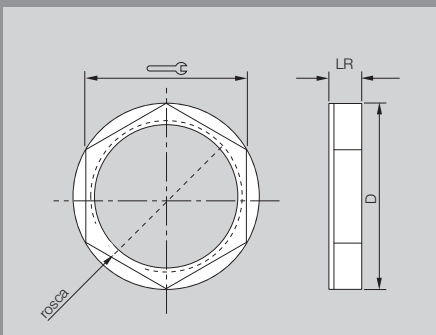
## NORMANYL-PG Polyamide PG thread lock nuts



### TECHNICAL INFORMATION

With similar characteristics to the standard polyamide connectors, the male metal thread connectors are notable for their higher mechanical resistance, being recommended in the most severe conditons. An internal plastic wall on the metal insert avoids a direct contact with the cables. Special use in the traction industry.

- Made of specially modified polyamide (PA 6)
- Metric thread according to EN 60423
- Free of halogen, phosphorus and cadmium
- Self extinguishing
- Temperature range: -40°C to +105°C (150°C short term)
- Shock-resistant
- Colours: dark grey and black



Colour reference		Diameter information				Weight/Packing	
GREY	BLACK	thread	D		LR	weight g	packing u
260772	260760	Pg 7	16	15	4.5	1.0	100
260972	260960	Pg 9	21	19	4.5	0.8	100
261172	261160	Pg 11	24	22	5	1.0	100
261372	261360	Pg 13.5	26	24	5.5	1.4	100
261672	261660	Pg 16	30	27	6	1.8	100
262172	262160	Pg 21	35	32	6.5	2.2	100
262972	262960	Pg 29	45	41	7.5	6.2	50
263672	263660	Pg 36	59	54	9	8.8	20
264972	264960	Pg 48	74	67	9.5	11.0	10



Betaduct is a Cablecraft company



**CABLECRAFT**  
creative wiring solutions



**WWW.CABLEJOINTS.CO.UK**

**THORNE & DERRICK UK**

**TEL 0044 191 490 1547 FAX 0044 477 5371**

**TEL 0044 117 977 4647 FAX 0044 977 5582**

**WWW.THORNEANDDERRICK.CO.UK**

Your local stockist is:

