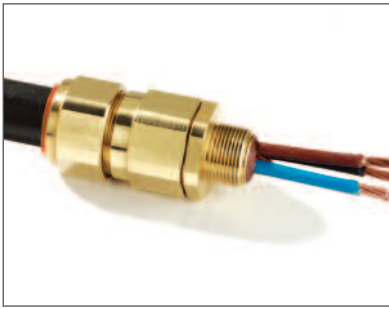




PX2K CABLE GLAND



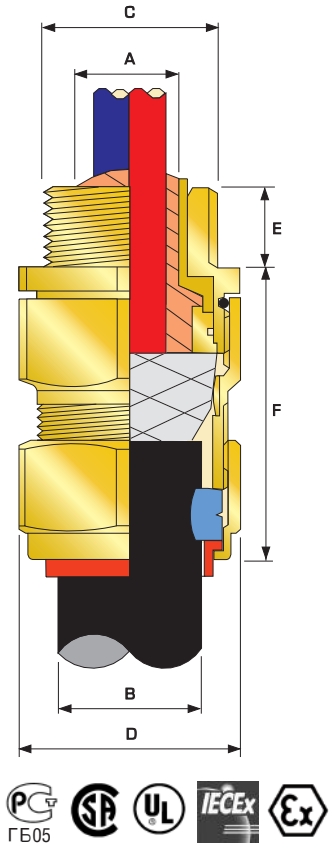
PX2K Flameproof Ex d, Increased Safety Ex e, Restricted Breathing Ex nR Compound Barrier Cable Gland

CMP Type PX2K Triple Certified Flameproof (Type 'd'), Increased Safety (Type 'e') and Restricted Breathing (Type 'nR') cable gland for use in Zone 1, Zone 2, Zone 21 and Zone 22 Hazardous Areas with all types of armoured cable providing a compound barrier seal around the cable conductors and an environmental seal on the cable outer sheath. The cable gland provides mechanical cable retention and electrical continuity via armour termination. A combined detachable armour cone and compound tube, together with AnyWay universal clamping ring arrangement allows the cable to be easily disconnected from the equipment, for maintenance and change out etc., and re-connected with the same consummate ease. This feature also facilitates remote make off procedures when the termination is to be conducted in confined spaces or in areas of restricted access.

The CMP PX2K cable gland is suitable for use with all forms of equipment protection permitted in Zone 1, Zone 2, Zone 21 & Zone 22 provided always that the prevailing code of practice for selection and installation is observed, e.g. IEC 60079-14.

The PX2K is supplied in kit form inclusive of two detachable armour cones. Stepped Cone is suitable for SWA cables, Grooved Cone is suitable for all other approved armoured cables.

TECHNICAL DATA	
Type	PX2K
Design Specification	BS 6121:Part 1:1989, EN 50262:1999
ATEX Certification	SIRA06ATEX1097X
Code of Protection Category	ATEX Ⓢ II 2 GD Ex d IIC, Ex e II, Ex nR II, Ex tD A21 IP66 - Equipment Zone 1, Zone 2, Zone 21, & Zone 22 - Gas Groups IIA, IIB, IIC
Compliance Standards	EN 60079-0:2004, EN 60079-1:2004, EN 60079-7:2003, EN 60079-15:2003, EN 61241-0:2004, EN 61241-1:2004
IECEx Approval Number	IECEx SIR 06.0044X
Code of Protection Category	Ex d IIC, Ex e II, Ex nR II, Ex tD A21 IP66
Compliance Standards	IEC 60079-0:2004, IEC 60079-1:2003, IEC 60079-7:2001, IEC 60079-15:2005, IEC 61241-0:2004, IEC 61241-1:2004
GOST R Certificate Number	POCC GB. ГБ05.В01912
Code of Protection Category	Ex d IIC U, Ex e II U
Compliance Standards	ГОСТ P 52350.0-2005, ГОСТ P 52350.1-2005, ГОСТ P 52350.7-2005
GGTN Permit Number	PPC 00-18262
GOST K Certificate Number	KZ7500052.05.01.00063
RoK Permit for Use Number	08-067693
Lloyds Approval Number	01/00172
DNV Approval Number	E-6157
ABS Approval Number	01-LD 234401-PDA
Continuous Operating Temperature	-60°C to +100°C
Ingress Protection Rating	IP66, IP67, IP68
Ingress Protection Document	5046 C549G
Deluge Protection Compliance	DTS01 : 91
Deluge Protection Document	5046 C549G-D
Cable Gland Material	Brass, Electroless Nickelplated Brass, Stainless Steel, Aluminium
Seal Material	CMP SOLO LSF Thermoplastic Elastomer / Epoxy Resin Barrier Compound
Cable Type	Wire Braid Armour, Single Wire Armour (SWA), Screened Flexible Wire Braid (e.g. CY / SY), Steel Tape Armour (STA) Pliable Wire Armour (PWA)
Armour Clamping	Detachables Compound Tube / Cone & AnyWay Universal Clamping Ring
Sealing Technique	Unique CMP "LRS"™ Outer Seal (Load Retention Seal)
Sealing Area(s)	Inner Compound Barrier & Cable Outer Sheath
Optional Accessories	Locknut, Shroud, Entry Thread Seal, Serrated Washer, Earth Tag, Adaptor/Reducer



Note: Dedicated version for Steel Wire Armour type is PX2KW. Dedicated version for all other Armour types is PX2KX

Note: This standard design concept is also available with bi-code approvals, suitable for installation in systems complying with NEC wiring code rules.

Cable Gland Selection Table

Cable Gland Size	Available Entry Threads 'C'			Minimum Thread Length 'E'	Diameter Over Conductors 'A'	Number of Cores	Overall Cable Diameter 'B'		Armour Range †				Across Flats 'D'	Across Corners 'D'	Nominal Protrusion Length 'F'	Ordering Reference (Brass Metric) #	PVC Shroud Reference*	Cable Gland Weight (Kgs)		
	Standard		Option				Min	Max	Min	Max	Min	Max							Min	Max
	Metric	NPT	NPT																	
20S/16	M20	1/2"	3/4"	15.0	12.6	15	6.1	11.5	0.0	1.0	0.9	1.25	24.0	26.6	58.5	20S16PX2K1RA	PVC04	0.200		
20S	M20	1/2"	3/4"	15.0	12.6	15	9.5	15.9	0.0	1.0	0.9	1.25	24.0	26.6	58.5	20SPX2K1RA	PVC04	0.200		
20	M20	1/2"	3/4"	15.0	12.6	15	12.5	20.9	0.0	1.0	0.9	1.25	30.5	33.3	60.5	20PX2K1RA	PVC06	0.230		
25S	M25	3/4"	1"	15.0	17.5	29	14.0	22.0	0.0	1.0	1.25	1.6	37.5	40.5	67.5	25SPX2K1RA	PVC09	0.330		
25	M25	3/4"	1"	15.0	17.5	29	18.2	26.2	0.0	1.0	1.25	1.6	37.5	40.5	67.5	25PX2K1RA	PVC09	0.330		
32	M32	1"	1-1/4"	15.0	23.6	51	23.7	33.9	0.0	1.0	1.6	2.0	46.0	51.0	69.5	32PX2K1RA	PVC11	0.510		
40	M40	1-1/4"	1-1/2"	15.0	30.0	80	27.9	40.4	0.0	1.0	1.6	2.0	55.0	61.0	78.0	40PX2K1RA	PVC15	0.720		
50S	M50	1-1/2"	2"	15.0	36.6	122	35.2	46.7	0.0	1.0	2.0	2.5	60.0	66.5	75.5	50SPX2K1RA	PVC18	0.825		
50	M50	2"	2-1/2"	15.0	41.0	149	40.4	53.1	0.0	1.0	2.0	2.5	70.0	78.6	80.5	50PX2K1RA	PVC21	0.860		
63S	M63	2"	2-1/2"	15.0	47.9	205	45.6	59.4	0.0	1.0	2.0	2.5	75.0	83.2	91.5	63SPX2K1RA	PVC23	1.450		
63	M63	2-1/2"	3"	15.0	53.7	259	54.6	65.9	0.0	1.0	2.0	2.5	80.0	89.0	92.0	63PX2K1RA	PVC25	1.600		
75S	M75	2-1/2"	3"	15.0	59.8	320	59.0	72.1	0.0	1.0	2.0	2.5	89.0	101.6	99.0	75SPX2K1RA	PVC28	2.300		
75	M75	3"	3-1/2"	15.0	64.3	364	66.7	78.5	0.0	1.0	2.0	2.5	99.0	111.1	102.0	75PX2K1RA	PVC30	3.050		
90	M90	3"	3-1/2"	15.0	75.3	500	76.2	90.4	0.0	1.6	3.15	3.15	114.0	128.6	120.0	90PX2K1RA	PVC32	5.000		

All dimensions in millimetres

Note: *LSF Shrouds also available on request. †Alternative armour clamping range available for non-standard armour sizes. Marine approvals including Lloyds, DNV & ABS are also available from CMP Products. # Other thread forms are available