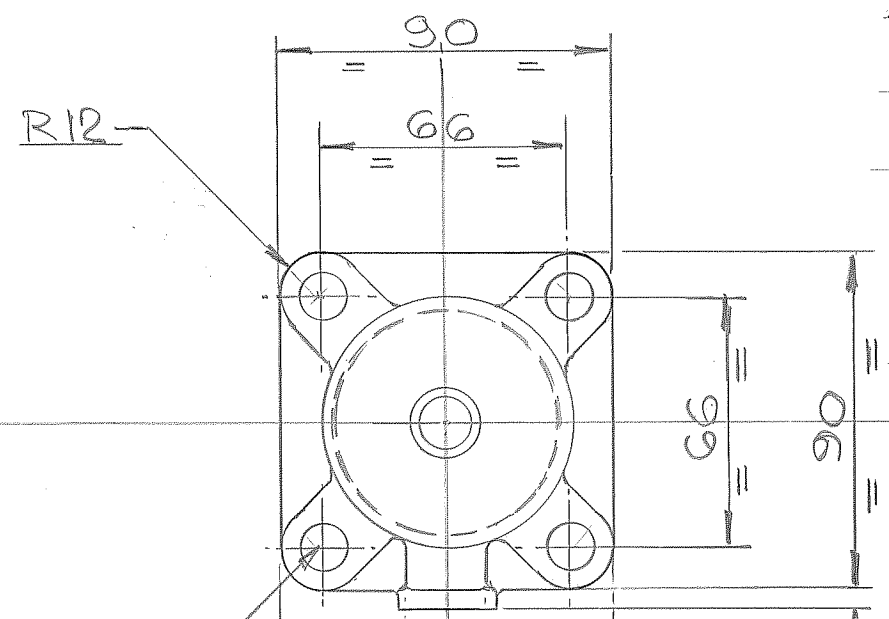


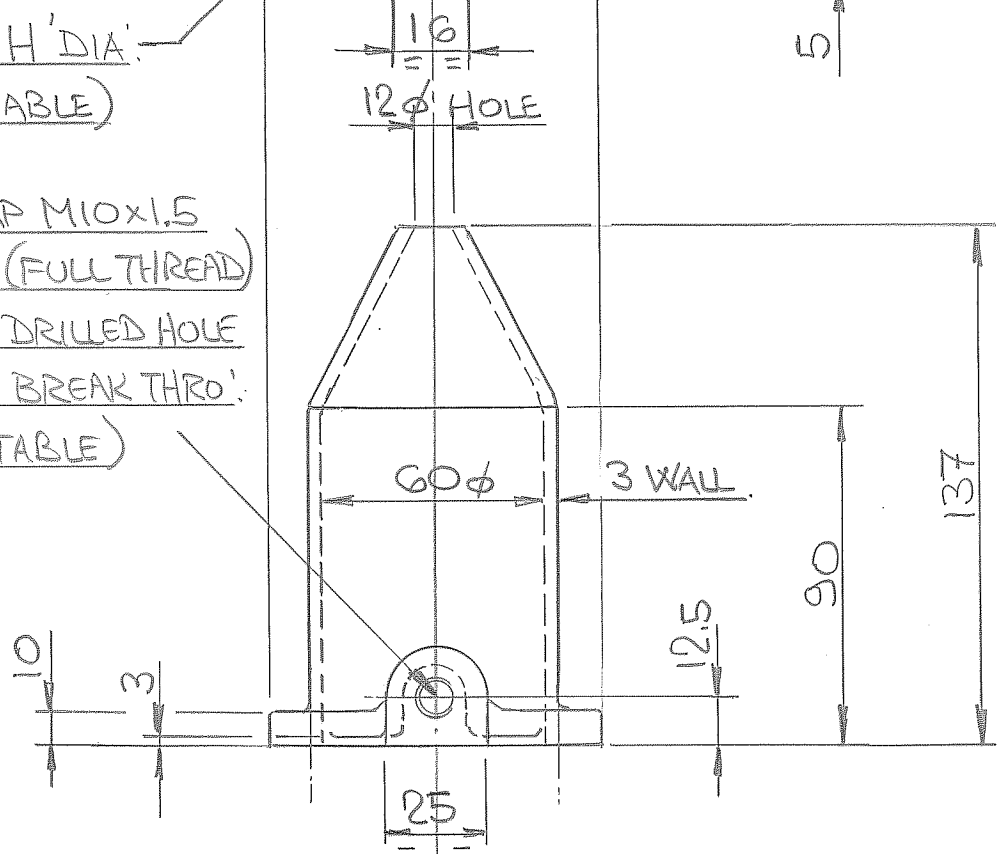
36

ISS H
 DRG. No. B1142/-
 SEE TABLES
 CODE No.
 TITLE X & Y WIPING GLANDS
 WEBSTER WILKINSON LTD.
 PARK AVENUE, MADELEY, TELFORD
 SHROPSHIRE, ENGLAND, TF7 5LG



4 HOLES 'H' DIA.
 (SEE TABLE)

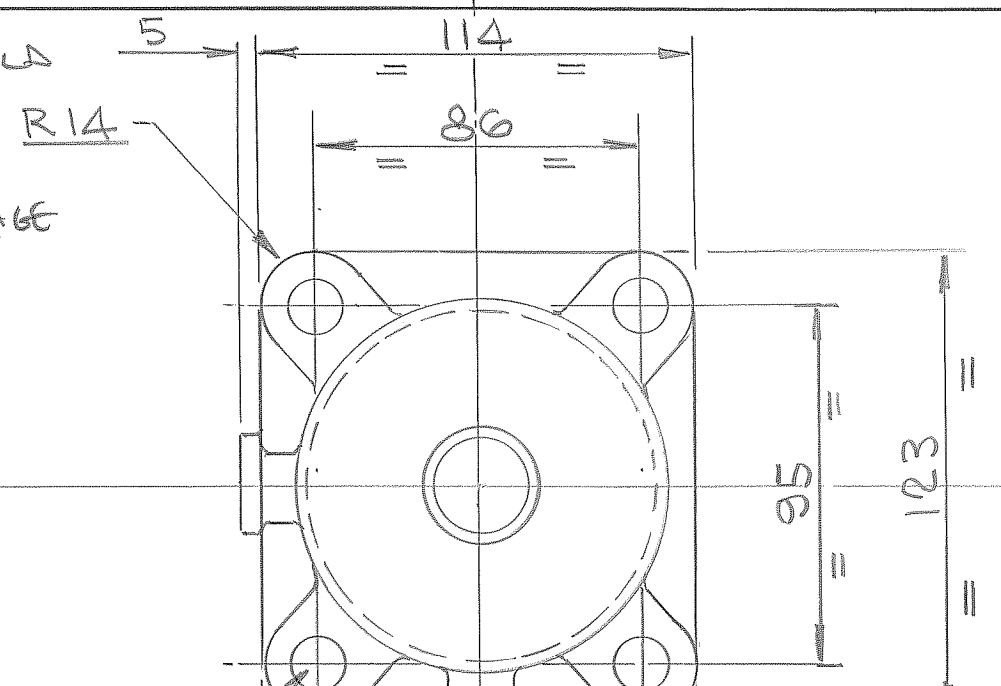
DRILL & TAP M10x1.5
 ~10 DEEP (FULL THREAD)
 NOTE! THE DRILLED HOLE
 MUST NOT BREAK THRO!
 (SEE TABLE)



GLAND SIZE 'X'

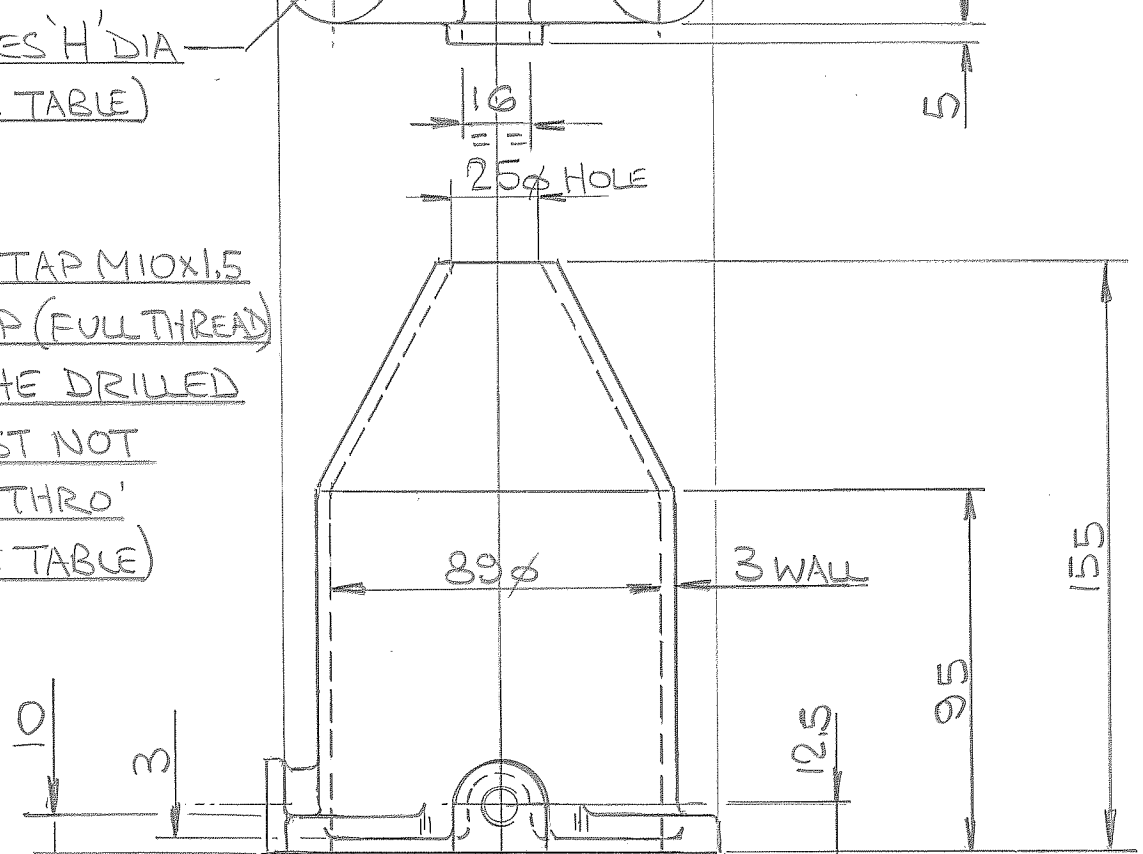
MATERIAL:- BRASS PCB1

NOTE! CASTINGS SHOULD
 WITHSTAND 0.7BAR
 FOR 12 H WITHOUT LEAKAGE



4 HOLES 'H' DIA.
 (SEE TABLE)

DRILL & TAP M10x1.5
 ~10 DEEP (FULL THREAD)
 NOTE! THE DRILLED
 HOLE MUST NOT
 BREAK THRO!
 (SEE TABLE)



GLAND SIZE 'Y'

MATERIAL:- BRASS PCB1

DRG NO	CODE NO	'H' HOLES	TAPPED HOLES	REMARKS
B1142/1	EB509	12φ	YES	STD PER BS 2562:1979 FIG 31
B1142/6	EZ289	14φ	YES	SPECIAL O/SIZE HOLES
B1142/7	WW830	16φ	YES	STD FOR INSULATED ASSEMBLIES
B1142/8	EW479	12φ	NO	STAMPING ONLY

DRG NO	CODE NO	'H' HOLES	TAPPED HOLES	REMARKS
B1142/3	AW654	14φ	YES	STD PER BS 2562:1979 FIG 32
B1142/5	WW658	19φ	YES	STD FOR INSULATED ASSEMBLIES
B1142/9	EW494	14φ	NO	STAMPING ONLY

TOLERANCES UNLESS OTHERWISE STATED
 UN-MACHINED CASTINGS ±2
 UN-MACHINED STAMPINGS ±1
 CUT-OFF LENGTHS ±1
 MACHINED DIMENSIONS ±0.2
 FABRICATION DIMENSIONS ±3
 THREADS TO BS3643 6G MALE, 6H FEMALE

H/EV479 + EW494
 WAS BRASS CASTING
 NOW BRASS STAMPING.
 25/9/00 DSF

G/ MATERIAL
 WAS DCB3.
 PRESSURE
 WITHSTAND NOTE
 ADDED
 TG/DSF 27.01.99

F/ RE-DRAWN
 WITH EW479
 & EW494 NOW
 ADDED
 13-06-97

REVISIONS

ALL DIMENSIONS IN
 MM. UNLESS OTHERWISE
 STATED

THIS DESIGN IS THE PROPERTY OF WW LTD AND MAY NOT BE
 COPIED IN ANY FORM WITHOUT PRIOR WRITTEN CONSENT: THE
 COMPANY RESERVES THE RIGHT TO ALTER OR VARY THE
 DESIGN ILLUSTRATED, WITHOUT NOTICE

SCALE HALF FULL SIZE
 DATE 13-06-97
 DRAWN D.R.GROOM