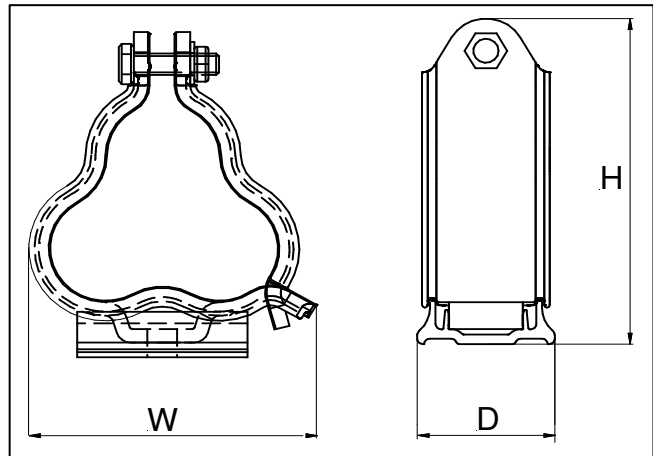


Alpha Cable Cleats are available for trefoil and single cable applications where moderate to low levels of short circuit withstand are required. The unique design (patent applied for) allows rapid installation. Manufactured from extruded aluminium (6000 series) to BS EN 755, the product is lighter and tougher than the cast product it is designed to replace. The cleats are supplied with zinc plated closing fasteners.

Alpha Cable Cleat (Trefoil)



Selection table for Trefoil Cable Application.

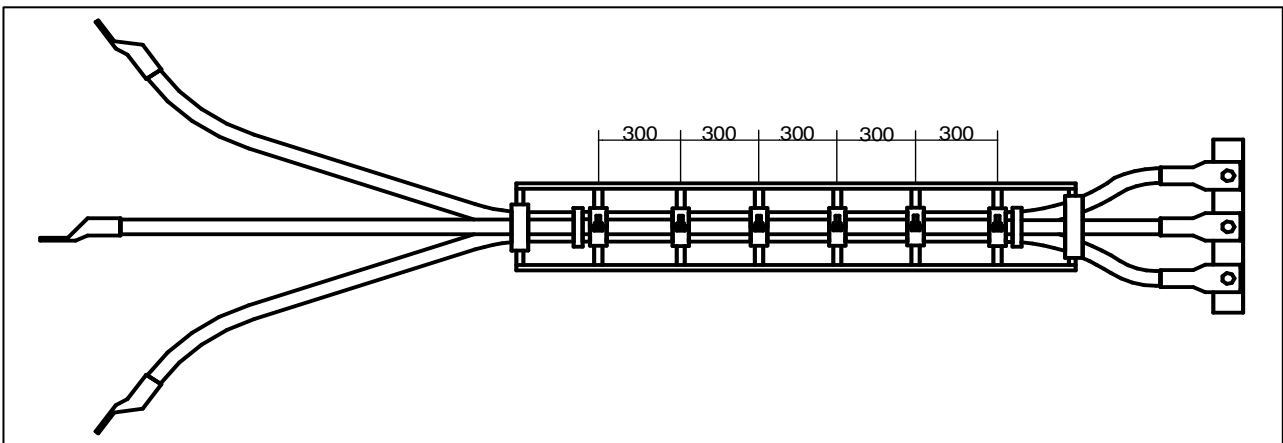
	Cable dia. Range	W (mm)	H (mm)	D (mm)	Fixing Hole (mm)	Approx Weight (g)
ALP-01-AN0	23.2 - 25.1	76	93	48.5	10.4	168
ALP-02-AN0	25.1 - 27.1	79	96	48.5	10.4	178
ALP-03-AN0	27.1 - 29.3	82	101	48.5	10.4	185
ALP-04-AN0	29.3 - 31.7	86	105	48.5	10.4	195
ALP-05-AN0	31.7 - 34.2	91	110	48.5	10.4	205
ALP-06-AN0	34.2 - 37.0	96	116	48.5	10.4	217
ALP-07-AN0	37.0 - 40.0	101	121	48.5	10.4	229
ALP-08-AN0	40.0 - 43.2	106	127	48.5	10.4	241
ALP-09-AN0	43.2 - 46.7	113	134	48.5	10.4	255
ALP-10-AN0	46.7 - 50.5	119	141	48.5	10.4	272
ALP-11-AN0	50.5 - 54.6	127	148	48.5	10.4	288
ALP-12-AN0	54.6 - 59.0	135	156	48.5	10.4	307
ALP-13-AN0	59.0 - 63.8	144	165	48.5	10.4	327
ALP-14-AN0	63.8 - 69.0	153	175	48.5	10.4	348
ALP-15-AN0	69.0 - 74.6	163	186	48.5	10.4	372

Testing Information

The Alpha Cleats have been tested in line with the European Standard of 'Cable Cleats for Electrical Installations' BS EN 50368:2003. The results are detailed below:

Properties	BS EN 50368:2003 Classification Clause	Units / Classification	Alpha Trefoil Cable Application Test Data
Cleat Type	6.1, 6.1.3	Metallic	-
Impact Resistance	6.2, 6.2.5, 9.3	Very Heavy Classification (>6.7kg @ 300mm)	Pass
Resistance to Electromechanical Force.	6.3, 6.3.2.2, 9.4	kA @ 300mm Centres (Category 2)	71.4 (Peak) 31.4 (RMS)
Temperature for Permanent Application	6.4	°C	-40 to 150
Needle Flame Test	6.5, 10.0	Application Time (seconds)	>120
Lateral Load Test	9.2	Newtons (N)	Refer to Ellis Patents for further details.
Axial Movement Test	9.5	Newtons (N)	400

Figure 1: Short Circuit Test Rig.



The example shown relates to BS EN 50368:2003 tests only. Other configurations / cleat spacings can be accommodated dependant on the fault level applicable. Please refer to Ellis Patents for further information.



WWW.CABLEJOINTS.CO.UK
THORNE & DERRICK UK
TEL 0044 191 490 1547 FAX 0044 477 5371
TEL 0044 117 977 4647 FAX 0044 977 5582
WWW.THORNEANDDERRICK.CO.UK