

***i-switch* ATEX Certified Zone 1 Switch Disconnectors**

A range of Switch Disconnectors housed in heavy duty cast enclosures - ATEX certified for use in Cat II, Zones 1&2 environments.

Certifications and Approvals

- Certification Code **Ex d II 2 GD IIB T4, T5 or T6** (Contents dependent)
- Certification No. **ITS 09 ATEX 16433X, ITS 09 ATEX 16436U**
- Certification standard **EN 60079-0, EN 60079-1, EN 61241-0 & EN 61241-1**
- Operating temperature **-20°C to +40°C**
- Ingress Protection **IP65**

Construction

High quality heavy duty cast enclosures are used throughout the range. (Cast Iron 16A - 63A, Cast Aluminium 80A - 250A) The enclosures are supplied with large cable entries which can be fitted with approved reducers to suit individual cable requirements. (See page 2) Specific entry requirements can be accommodated - please specify when ordering.

All load switching interiors are supplied as either TP&N (switched neutral) or 6P and have AC23A ratings to BS EN 60947-3.

Auxiliary contacts are available for applications such as SCADA packages.

Operating handles are capable of accepting up to three padlocks in the 'Off' position.

Finish - RAL 7035 Two pack grey epoxy coating over etching primer.



Example of a 100A assembly

Electrical Ratings

Application	Sym.	Unit	Category	Rating (A)								
				16A	25A	40A	63A	80A	100A	125A	250A	
Enclosure	-	-	-	G21	G21	G22	G22	G24	G25	G25	G28	
Rated thermal current	I_{the}	A		16	25	40	63	80	100	125	250	
Rated Insulation voltage	U_i	V		690	690	690	690	690	750	750	1000	
Rated impulse voltage	U_{imp}	kV		6.0	6.0	6.0	6.0	6.0	8.0	8.0	12.0	
Rated operational power (3 phase AC)		kW	380/440V - AC23	7.5	11.0	18.5	25.0	30.0	37.0	45.0	132.0	
			500V - AC23	9.0	15.0	22.0	30.0	37.0	-	-	-	
			690V - AC23	9.0	15.0	22.0	30.0	30.0	37.0	45.0	200.0	
Rated short time withstand current (1 sec)	I_{cw}	A		400	500	1100	1300	1400	2500	2500	8000	
Max. fuse size for short circuit protection (gG characteristic)	I_n	A	10kA	35	35	80	80	80	-	-	-	
			25kA	32	32	63	63	63	-	-	-	
			50kA	32	32	63	63	63	-	-	-	
Connecting capacity			Terminal type									
			mm ²	Flexible cable	6.0	6.0	16.0	16.0	16.0	-	-	-
			mm ²	Rigid cable	10.0	10.0	25.0	25.0	25.0	-	-	-
			mm	Stud Cu palm width	-	-	-	-	-	8x20	8x20	10x30
			Nm	Tightening torque	1.2	1.2	1.2	1.2	1.2	6.0	8.0	30-44

Technical Data Sheet

i-switch ATEX Certified Zone 1 Switch Disconnectors

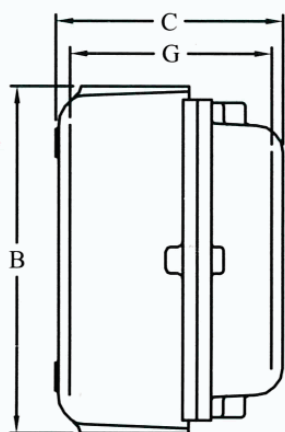
Catalogue Nos.

Current Rating (A)	Format	Catalogue No.	Enclosure Ref.	Supplied Entries
16	4P + 2E/B	DGC0164EBZ1	G21	3 x M20
25	4P + 2E/B	DGC0254EBZ1	G21	3 x M20
25	6P + 2E/B	DGC0256EBZ1	G21	2 x M25 + 1 x M20
40	4P + 2E/B	DGC0404EBZ1	G22	2 x M25 + 1 x M20
40	6P + 2E/B	DGC0406EBZ1	G22	2 x M25 + 1 x M20
63	4P + 2E/B	DGC0634EBZ1	G22	2 x M25 + 1 x M20
80	4P + 2E/B	DGC0804EBZ1	G24	3 x M32 + 1 x M20
100	4P + 2E/B	DGC1004EBZ1	G25	3 x M32 + 1 x M20
125	4P + 2E/B	DGC1254EBZ1	G25	3 x M40 + 1 x M20
160	4P + 2E/B	DGC1604EBZ1	G25	3 x M50 + 1 x M20
200	4P + 2E/B	DGC2004EBZ1	G28	3 x M50 + 1 x M20
250	4P + 2E/B	DGC2504EBZ1	G28	3 x M50 + 1 x M20

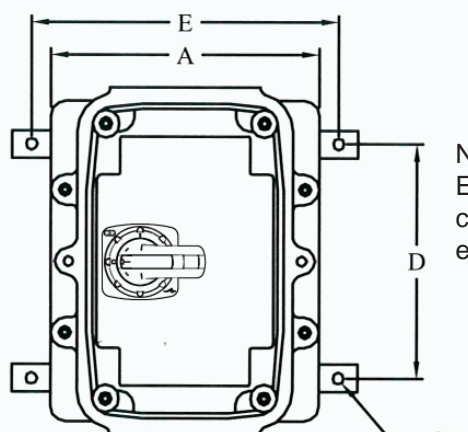


Example of a 25A assembly

Dimensions



- A Enclosure Width
- B Enclosure Height
- C Enclosure Depth



- D Fixing Centre Height
- E Fixing Centre Width
- F Fixing Hole Diameter
- G Internal Depth from Base Plate

N.B.
Enclosures can be close coupled at either end (To special order)

Enclosure	Material	Dimensions							Weight (Kg)
		A	B	C	D	E	F	G	
G21	Fe	180	155	145	130	195	7.0	100	9
G22	Fe	205	205	156	160	230	9.0	117	19
G24	Al	321	361	228	291	320	11.0	179	21
G25	Al	366	406	228	250	370	11.0	177	25
G28	Al	586	670	294	480	580	14.0	216	96

The items listed in this document are standard products. If require arrangements other than as shown, then please contact our technical sales staff who will be pleased to discuss your individual requirements.