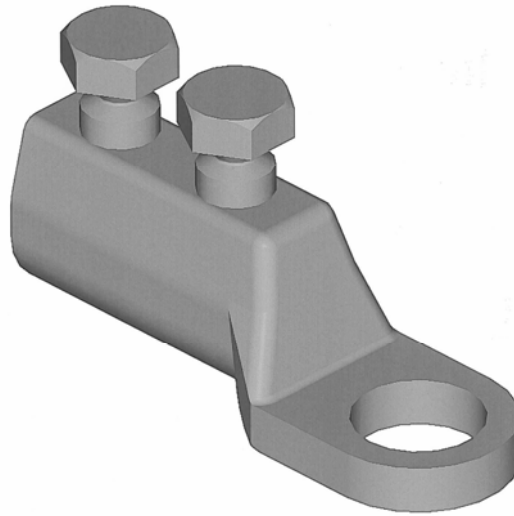


ML4 Connectors



Principle Application

Termination of stranded/solid circular cored conductors and earth screens of 11KV polymeric conductors.

Range

Product Reference	Core csa (mm ²)				Stud Size	Approx. Unit Weight (grammes)
	Stranded		Solid			
	Min	Max	Min	Max		
ML4/12-12	6*	95	16	120	12	
ML4/12-16	6*	95	16	120	16	
ML4/13-16	35	120	35	150	16	
ML4/14-12	6*	70	16	95	12	
ML4/14-16	6*	70	16	95	16	

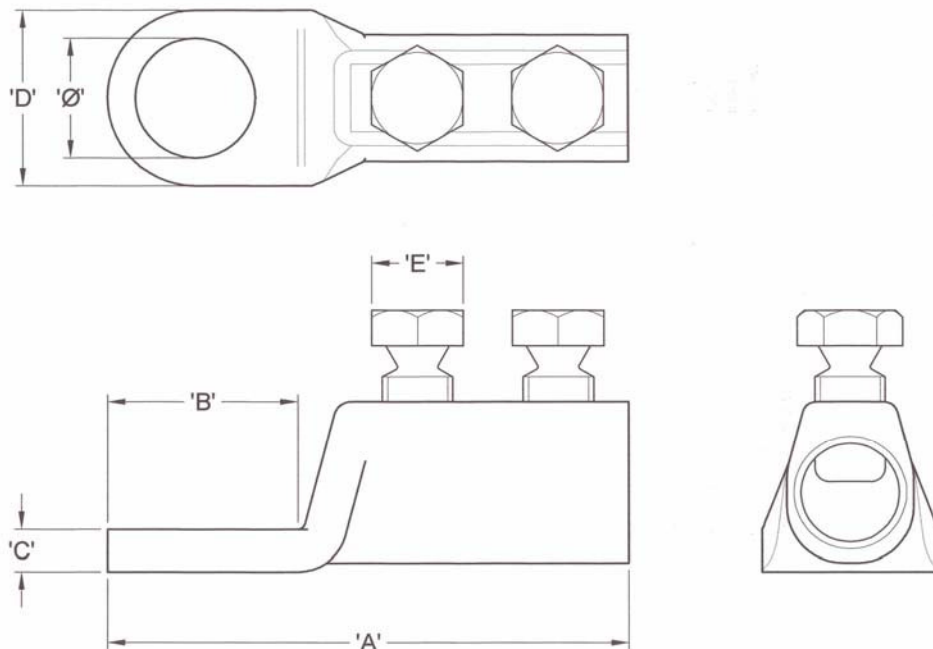
Note: For jointing other core configurations/sizes please contact Sicame Technical Dept

The **Hepworth ML4** range of mechanical connectors are designed for the termination of stranded/ solid, circular conductor cores. Also used for the termination of earth screens of 11KV polymeric conductors.

The mechanical lugs are manufactured in copper alloy and suitable for jointing either copper or aluminium cored conductor.

ML4 Connectors

Physical Dimensions



Product Reference	Dimensions (mm)				
	A	B	C	D	E
ML4/12-12	71.0	24.0	6.0	21.0	13
ML4/12-16	74.0	27.0	6.0	25.0	17
ML4/13-16	86.0	30.5	8.0	32.0	17
ML4/14-12	71.0	24.0	6.0	21.0	13
ML4/14-16	74.0	27.0	6.0	25.0	17

Material

Copper Alloy

Test Specifications

BS4579 : Pt 1 : 1970 & BS4579 : Pt 3 : 1976

Fitting Instructions

1. Cut the service cables to length and strip the core insulation equal to the length of bore +3mm.
2. Thoroughly abrade the conductor core.
3. Fully insert conductor core within barrel and tighten screws consecutively, until tight.

* Note: Conductor cores below 6mm² should be doubled, and doubled again (if necessary) to achieve a satisfactory cross sectional area.



WWW.CABLEJOINTS.CO.UK
THORNE & DERRICK UK
 TEL 0044 191 490 1547 FAX 0044 477 5371
 TEL 0044 117 977 4647 FAX 0044 977 5582
 WWW.THORNEANDDERRICK.CO.UK