

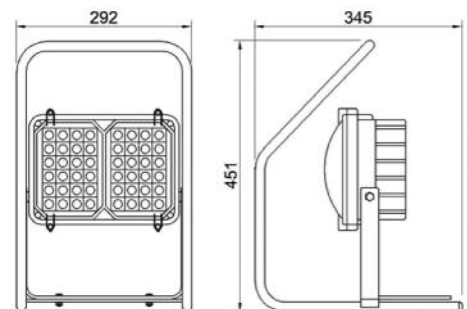


WWW.CABLEJOINTS.CO.UK
THORNE & DERRICK UK
TEL 0044 191 490 1547 FAX 0044 477 5371
TEL 0044 117 977 4647 FAX 0044 977 5582
WWW.THORNEANDDERRICK.CO.UK

WOLF LED FLOODLITE



- ATEX Directive compliant and IECEx Scheme certified
- For use in Zones 1 & 2 Gas and Dust atmospheres
- Ultra bright high power LED light output
- Wide voltage range, 24V & 100-254V
- Small, lightweight floodlamp construction
- IP66/67 dust and watertight
- Supplied with stand and integral bridle
- Available with magnet mounting and tripod options
- Fitted with ATEX plugs and sockets – linkable option
- Low operating surface temperature, no risk of burns
- Very low maintenance
- Lens protecting films available for blasting and painting applications



IECEx

The WF-300 Wolf ATEX LED Floodlite is a high performance, lightweight, transportable floodlight for use in temporary applications and installations in potentially explosive atmospheres. Using an array of high output, high efficiency LEDs, it gives an excellent flood of brilliant white light.

The LED Floodlite is CE marked to the ATEX Directive and IECEx Certified, for safe use in Zone 1 potentially explosive gas and Zone 21 explosive dust atmospheres, where a T4 temperature class permits.

Delivering an impressive flood of brilliant white light from an array of 48 high power LEDs, the WF-300 LED Floodlite has an output of 3,300 lumens, equivalent to a 200w halogen incandescent lamp, but because of the far greater efficiency, it has significantly lower power consumption at 58 watts. One benefit of this is that the unit runs at a much lower temperature, eliminating the risk of burns when handling.

The WF-300 range of lamps is supplied with collimating optics delivering a piercing 30° 'medium' flood of light for maximum versatility in hazardous area activities. A version delivering a wide angle flood beam is available to special order. LED light sources have an inherently greater robustness than comparatively fragile filament lamps, the LEDs fitted to this floodlight have an estimated life of up to 100,000 hours, therefore the ATEX LED Floodlite is a very low maintenance, highly reliable unit.

The WF-300 LED Floodlite is cable powered, and can be run with voltages of 100 to 254V AC or 24 AC/DC. Lamps are supplied with 10 meters of SY cable as standard, fitted with an ATEX plug to suit intended supply voltage (110V, 230V or 24V). For mains voltages a lamp fitted with an ATEX socket is available allowing quick and easy setup of multiple LED Floodlites.

The LED Floodlite has a robust marine grade aluminium alloy enclosure with

corrosion resisting epoxy powder coating, designed to withstand the rigours of harsh industrial and offshore applications; the lens is an impact-resistant polycarbonate transparent cover which is replaceable, however, in blasting and painting applications it can be protected from damage using a disposable anti-static lens film. The lamp is sealed dust tight and protected from water immersion with a certified IP66/67 enclosure.

The Wolf LED Floodlite is a lightweight and compact unit, ideal for use in transportable and temporary applications. It is supplied with a stainless steel bridle with pivot angle adjustment, bolted to a stainless steel lamp stand for additional protection. The lamp and bridle can easily be detached and bolted to various additional accessories available from Wolf, including magnet fixings and a tripod stand, making this a truly versatile lighting solution for temporary lighting installations and activities in hazardous areas.

Wolf ATEX LED Floodlite Technical Specification

Product Reference		WF-300
Description		ATEX LED Floodlite
Code		Ⓔ II 2 GD Ex emb IIC T4 Gb Ex td IIIC T103°C Db IP66/67 (Ta = -20°C to +50°C)
Equipment Category		2 GD
Type of protection		"e" Increased Safety "mb" encapsulation, "t" enclosure protection
Area of classification (Gases)		Zones 1 and 2, Gas groups IIA, IIB and IIC
Temp classification (Gases)		T4
Area of classification (Dust)		Zones 21 and 22, Dust groups IIIA, IIIB and IIIC
Max surface temp (Dusts)		T103°C
Temp ambient		-20°C to +50°C
Certificate		SIRA10ATEX5117X IECEXSIR10.0016X
Enclosure		Marine grade aluminium alloy, epoxy powder coated
Lens		Polycarbonate
Beam type		Medium Flood
Light Source	Type	48 x white high power LEDs
	Life	100,000+ hours
	Power	58W
	Output	3300 lm
Voltage		24V AC/DC +/- 10%, 100-254V AC +/-10%
Weight (excluding cable)		9.0 Kg (Excluding Cable)
Ingress protection		IP66/67 to EN60529:1992
Accessories		Wolf ATEX LED Floodlamp supplied with bridle and lamp stand for fitting to: Magnet set WF-696 Tripod Stand LL-680

Note: all information has been gathered under laboratory conditions, the user must regard the values given as approximate. Changes may be made to the above specification without notification, details are available on request.



WWW.CABLEJOINTS.CO.UK
THORNE & DERRICK UK
TEL 0044 191 490 1547 FAX 0044 477 5371
TEL 0044 117 977 4647 FAX 0044 977 5582
WWW.THORNEANDDERRICK.CO.UK

