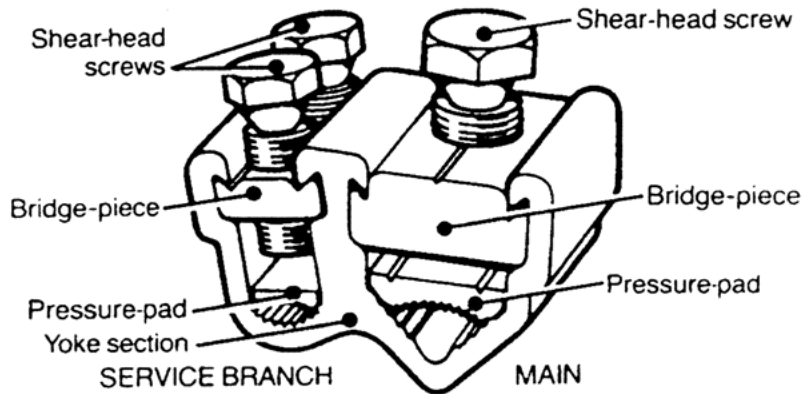


WS3 Connector



Registered Design No. 993196

Principal Application

Service branch connections from stranded sector shaped mains conductors.

Range

Connector reference	Core c.s.a. (mm ²)				Approx Unit Wt. (grammes)
	Main		Service Branch		
	min.	max.	min.	max.	
WS3	240	300	16*	95	190

*NOTE: For small section conductors see technical data overleaf

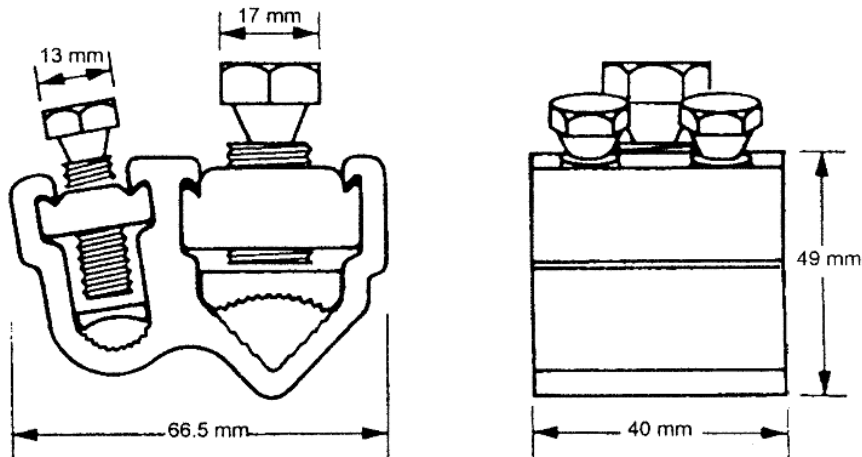
The Hepworth WS3 connector has been designed to accommodate solid or stranded service conductors to a maximum of 95mm², from four-core stranded sector shaped mains conductors in the range 240-300mm².

The connector employs the proven shear-head screw principle to ensure that a consistent and reliable connection is achieved. Fitting is completed by the use of orthodox hand tools only, and no specialised equipment or techniques are required.

Each connector is supplied in a sealed pack together with fitting instructions, details of which are included in the technical data overleaf.

WS3 Connector

Physical Dimensions



Material

Aluminium Alloy

Fitting Instructions

Separate the main cable cores sufficiently to allow the yoke section to be fitted around the conductor and strip the insulation from the core equal to the connector length plus 10mm. Thoroughly abrade the exposed conductor and loosely assemble the connector around the core by fitting the bridge piece, inserting the pressure pad and tightening the mains screw until the connector is positively located. Cut the branch conductor to length, strip the insulation to suit, then thoroughly abrade and assemble the core into the connector by fitting the bridge piece and pressure pad, and tightening down the service screws to hold the conductor in position. Complete the operation by tightening down the mains screws until the head shears, then finally tightening the service screws consecutively, one turn at a time, until both heads are sheared.

It is suggested that conductors below the minimum range requirement of 16mm² are doubled and, if needed, redoubled to achieve the required cross sectional area and, if copper conductors are to be jointed, they should be wrapped in brass gauze in order to improve the electrical stability of the interface connection.